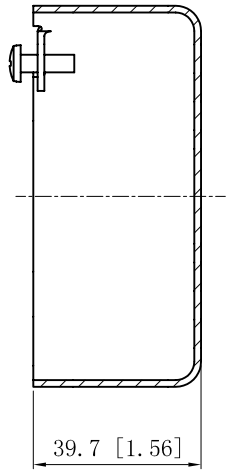
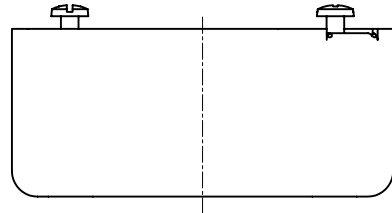
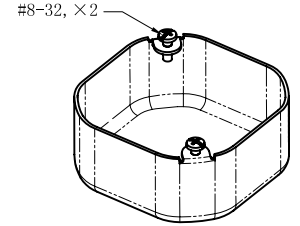
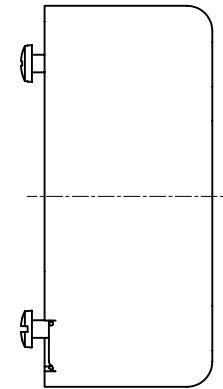
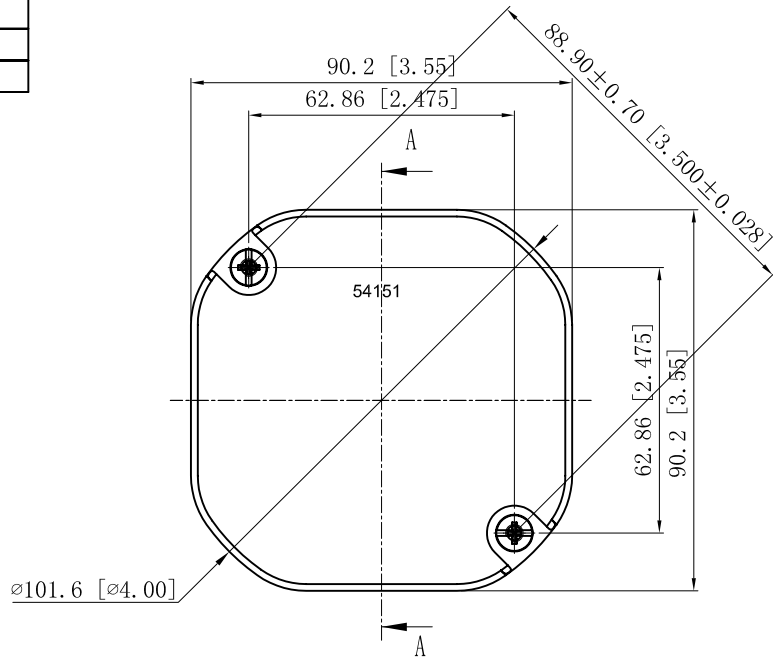


SIDES	BOTTOM
2 PCS 8-32×1/2 Screws Installed	
Material: Steel-0.0625"-G60 Galvanized	



CUTAWAY VIEW A-A



This data sheet is for reference only. GARVIN INDUSTRIES reserves the right to make changes to the design without prior notice.

DESCRIPTION
TRADE REFERENCE TERMS

STANDARD PACKING
50 PCS

<b>GARVIN INDUSTRIES</b>		
4" OCTAGON BOXES 1-1/2" DEEP		
SIZE	DWG NO.	REV
A4	54151-BLNK	
DATA SHEET		