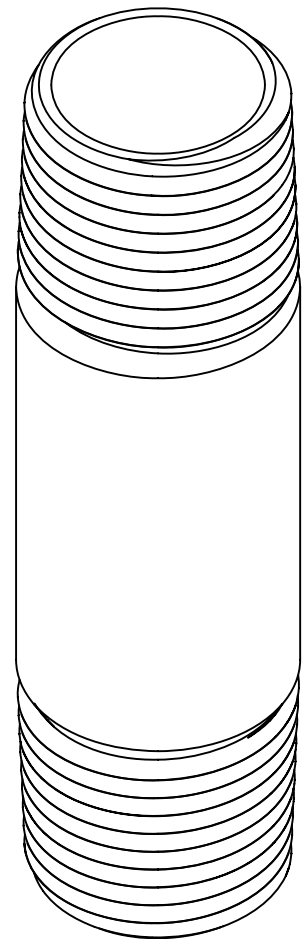
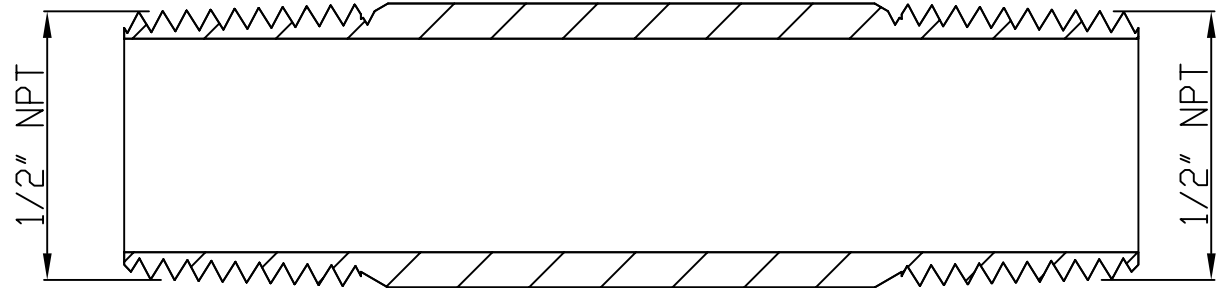
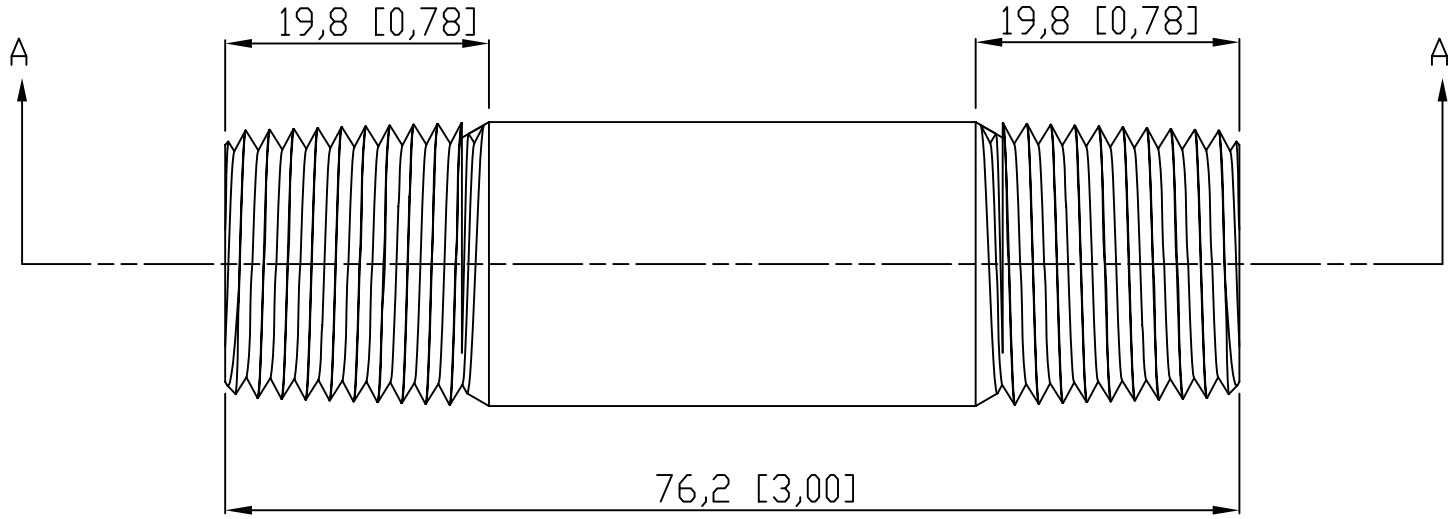


SIDES	BOTTOM
Material: Steel-(C1008-C1018) Galvanized	



VIEW A-A

This data sheet is for reference only .GARVIN INDUSTRIES reserves the right to make changes to the design without prior notice.

DESCRIPTION
TRADE REFERENCE TERMS

STANDARD PACKING
5 PCS

<b>GARVIN INDUSTRIES</b>		
TITLE RIGID COND NIPPLE		
SIZE A4	DWG NO. DS-RN-50300	REV A