



Southwire®

EMT CONNECTORS

SET SCREW TYPE WITH INSULATED THROAT - STEEL

FEATURES

- Set screw type connectors
- Concrete tight when taped
- Assembled with a steel locknut
- Insulated throat

APPLICATION

- Use to join EMT to box or enclosure

STANDARD MATERIAL

- Steel

STANDARD FINISH

- Zinc plated

CERTIFICATIONS

- UL Standard: UL 514B
- Fed. Spec: W-F-406E, W-F-406D
- NEMA: FB1-2014



632SI

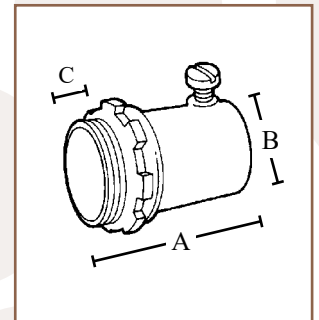


639SI

PART #	SIZE	INNER QTY.	MASTER QTY.	WEIGHT/ CASE (LBS.)	A	B	C
631SI	1/2"	50	500	50	1.531"	1.313"	.438"
632SI	3/4"	25	250	35	1.625"	1.563"	.469"
633SI	1"	20	200	46	2.25"	1.938"	.563"
634SI	1-1/4"	---	25	10	2.50"	2.25"	.563"
635SI	1-1/2"	---	25	14	2.75"	2.75"	.563"
636SI	2"	---	20	16	3.313"	3.563"	.75"
637SI*	2-1/2"	---	12	17	3.813"	4.188"	.938"
638SI*	3"	---	12	22	3.938"	4.688"	.938"
639SI*	3-1/2"	---	6	15	4.188"	5.188"	1"
640SI*	4"	---	6	17	3.75"	4.99"	1.05"

* EMT and Rigid

1/2" – 1" = 1 screw 1-1/4" – 4" = 2 screw



Rev. 0, 05/23

**BUILT FOR DURABILITY.
BUILT FOR RELIABILITY.
BUILT FOR WORK.™**

1-855-798-6657 | SOUTHWIRE.COM

©2023 Southwire Company, LLC. All rights reserved.
*Registered Trademark & ™Trademark of Southwire Company, LLC.