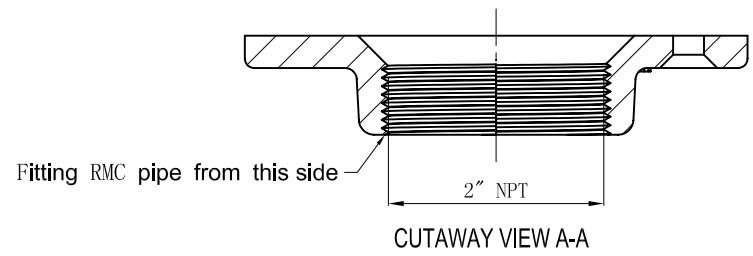
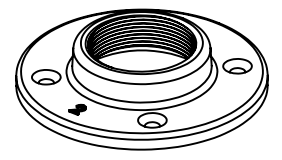
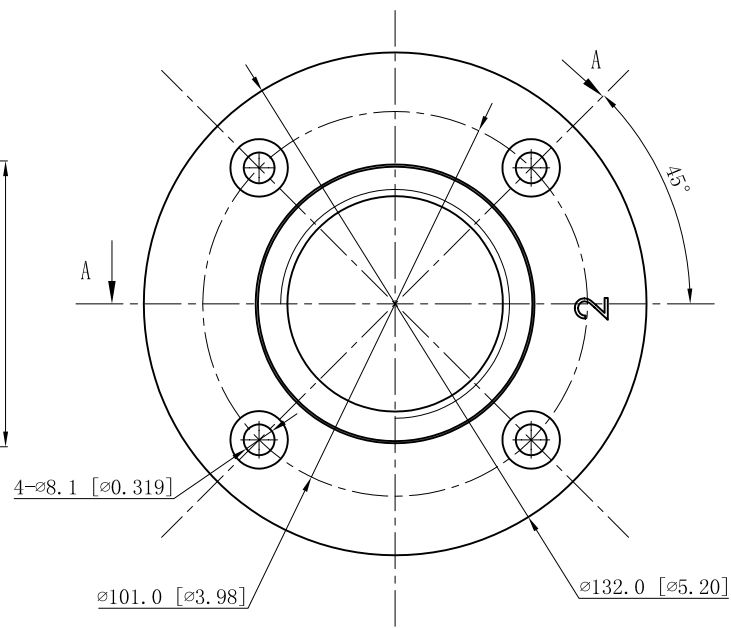
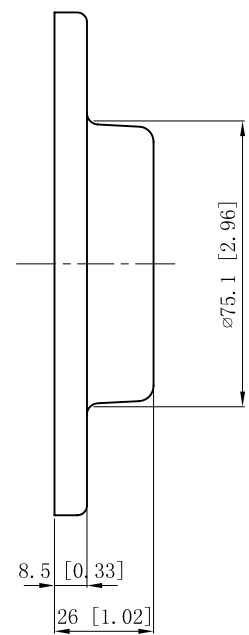
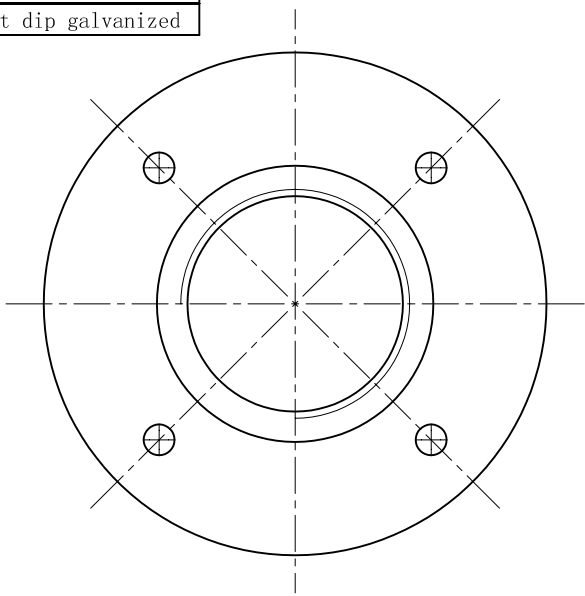


SIDES	BOTTOM
Material:malleable casting, Hot dip galvanized	



This data sheet is for reference only .GARVIN INDUSTRIES reserves the right to make changes to the design without prior notice.

DESCRIPTION
TRADE REFERENCE TERMS

STANDARD PACKING
25 PCS

<b>GARVIN INDUSTRIES</b>		
TITLE FLOOR FLANGED		
SIZE A4	DWG NO. FF-200	REV
DATA SHEET		