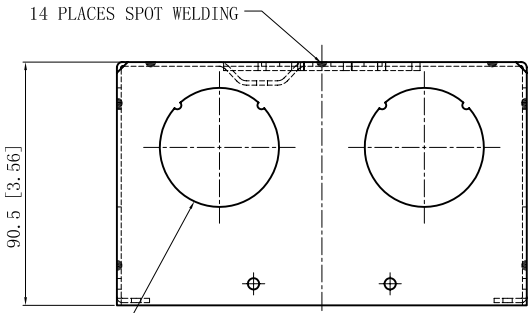
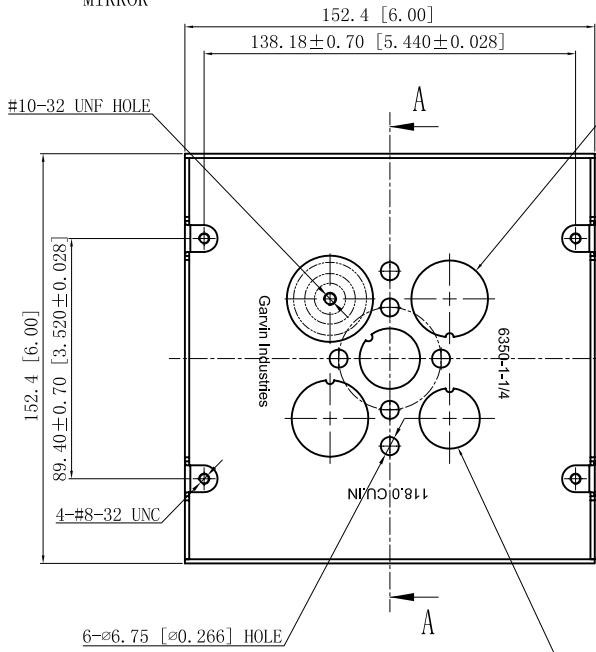
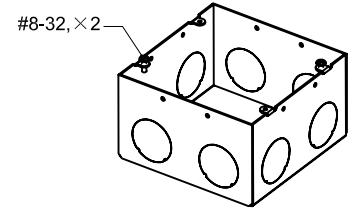


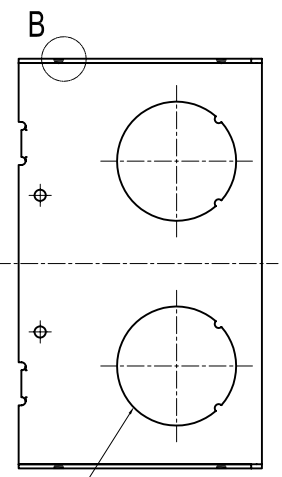
SIDES	BOTTOM
8 1-1/4" KNOCKOUTS	2 1/2" KNOCKOUTS
	2 3/4" KNOCKOUTS
	1 Ground hump
2 PCS 8-32x1/2 Screws Installed	
Material: Steel-0.0625"-G60 Galvanized	



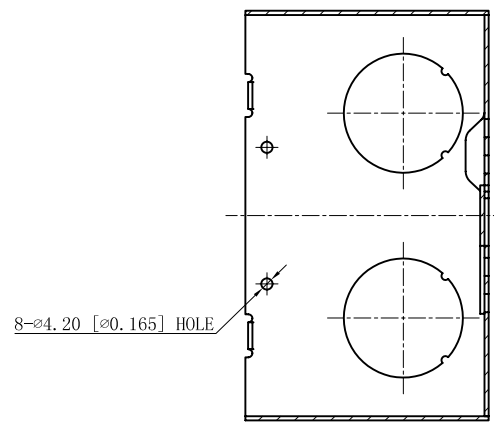
4 1-1/4" KNOCKOUT  $\phi = 44.30$  ( $\phi = 1.744$ )  
MIRROR



2 3/4" KNOCKOUTS  $\phi = 28.50$  [ $\phi = 1.122$ ]



2 1/2" KNOCKOUTS  $\phi = 22.50$  [ $\phi = 0.886$ ]



This data sheet is for reference only. GARVIN INDUSTRIES reserves the right to make changes to the design without prior notice.

DESCRIPTION
TRADE REFERENCE TERMS

STANDARD PACKING
10 PCS

<b>GARVIN INDUSTRIES</b>		
TITLE <b>6" SQUARE BOXES 3-1/2" DEEP</b>		
SIZE A4	DWG NO. 6350-1-1/4	REV B
DATA SHEET		