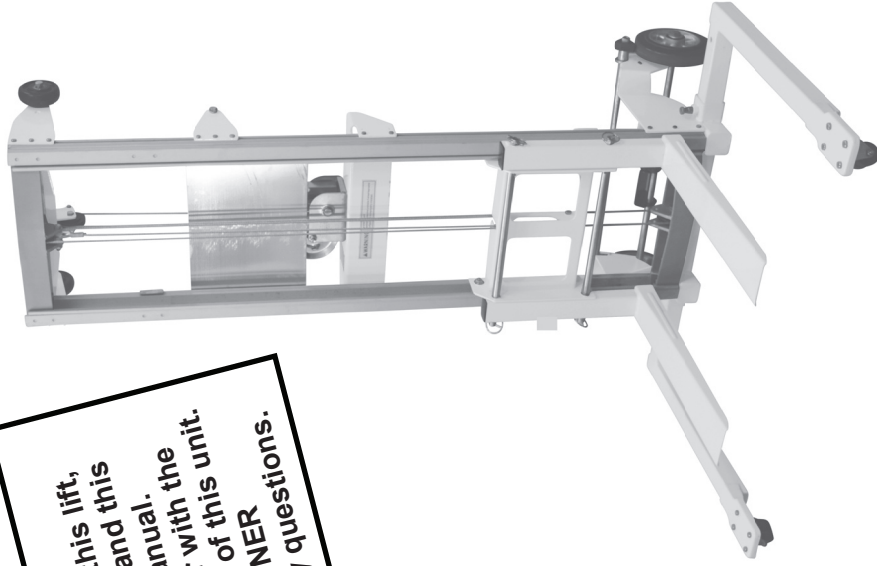

OPERATOR'S MANUAL

1900 SERIES LIFT

WARNING!
Before operating this lift,
read and understand this
Operator's Manual.
Become familiar with this unit.
Potential hazards of this unit.
Call SUMNER
if you have any questions.



SUMNER*

USA

7514 Alabonson Rd.
Houston, TX 77088
p: 281-999-6900
f: 281-999-6966

MAINTENANCE RECORD

Lift Model Number _____

Lift Serial Number _____

Service Performed:

Action _____ Date _____

Action _____ Date _____

Action _____ Date _____

Action _____ Date _____

Action _____ Date _____

Action _____ Date _____

Action _____ Date _____

Action _____ Date _____

Action _____ Date _____

Action _____ Date _____

Action _____ Date _____

Action _____ Date _____

Action _____ Date _____

OPERATOR SAFETY INSTRUCTIONS



IMPORTANT

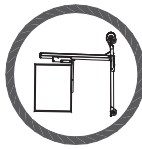
Read and understand Operators Manual before using Lift.



Inspect cable before each use. Do not use if cable is worn, cut, burnt or otherwise damaged.



Use only on solid level surface. Keep work area clean and clear of clutter and debris.



Test load balance before lifting. Do not use without properly installing legs. **Never exceed rated load capacity.**



Do not operate from an unstable platform, such as the bed of a truck.



Stay clear of overhead wires and obstructions.



Never operate in gusty winds. Lifting loads during high winds can result in the lift tipping over and the possibility of operator injury.



Do not stand under an elevated load.



Never leave lift unattended with an elevated load.



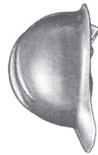
Do not use to lift personnel. Do not sit or stand on forks.



Do not climb on mast or put a side load on mast. Do not use unit to support ladders for climbing or hoisting.



Do not use unit outside in thunder, lightning, or severe weather.



Wear proper clothing. Hard hat, safety shoes and gloves should be worn as a precaution when operating this lift.

Avoid horseplay around equipment, and keep bystanders at a safe distance. Do not allow children to operate this unit and always keep them out of work areas.

Do not misuse the lift. Perform only the functions for which the lift was designed.

Never use two lifts in tandem to lift a load that exceeds the capacity of a single lift.

Prior to each use of the unit, inspect all moving parts and the lifting strap to ensure they are in proper working condition.

TROUBLESHOOTING

PROBLEM	CAUSE	SOLUTION
Masts not rising in succession	Overloading Check to make sure that the load does not exceed the maximum allowable load limit. Load may not be centered properly on the forks.	Remove excess weight. Check load capacity and reposition load.
	Slideways obstructed. Inspect tracks for debris, grease, or any foreign obstruction.	Clean mast sections with a degreaser or brake cleaner and lubricate with a silicon lubricant.
	Inspect Load Cable for damage.	If cable is cut, worn, frayed or kinked replace the cable.
	Slideways are clean but masts still not sliding freely.	Inspect mast sections for damage. Replace damaged mast section.
Load is easing down slowly	The brake on the winch or ratchet dog are not installed correctly.	When load is in position, crank winch handles clockwise a half turn to set the brake.
You have checked the winch and the brake does not work at all.	The brake ratchet or ratchet dog are not installed correctly or are damaged and/or worn.	Replace the winch.
The winch is hard to crank down.	The brake is over-engaged	Remove the load and turn the winch handle counter clockwise.
	The brake will not disengage	Replace the winch.
If none of these solutions seem to fix the problem...		Call distributor's Customer Service Department.
<p>NOTE: Mast sections may rise out of succession when load is near maximum capacity. If this occurs, the masts will correct themselves during continued use or when the load is removed from the forks. Movement of the mast sections will not affect the position of the forks. The carriage must elevate to the top of the top mast section before any mast sections begin to rise, and it should lower last.</p>		

11. Replace the winch cover.

General Maintenance:

1. Check the winch handle for wear or bends.
2. Examine all bolts and nuts to be sure they are tight.
3. Legs, forks, braces and base should be dent free and damage free.
4. Check for damage (indentations) which can restrict the rotation of the Load Cable.
5. Make sure Load Cable is seated flat and has no twists or kinks restricting rotation.
7. Check legs by sliding them into each position to check locking mechanism.
8. Inspect masts and carriage hold-down device.
9. Raise mast sections to inspect for free, smooth sliding action. Make sure slideways are free of dust and oxidation and spray a light coat of silicone lubrication in slideways.
10. Make sure caster wheels and 8" transport wheels rotate freely and are undamaged.

11. Check to be sure that all mast covers are attached to the lift.

WARNING



Replace all worn or damaged parts only with Sumner parts.

WARNING



Modifying the lift in any way can cause injury or death!

OPERATING PROCEDURE

1. Moving Lift to Work Area (No Load)

The lift is normally moved to the job site by tilting back and rolling on its 6" tires. **Note: Do not pull by the lifting cable.**

2. Moving Lift in Work Area (With Load)

Although it is best to move the unit to the job site unloaded, light loads may be transported as long as the unit is rolled on the casters and transport wheels on a level surface. Always have the load in the lowest possible position before moving the unit.

CAUTION



If a load is being transported, it should be secured to the forks to avoid shifting.

WARNING



Moving the unit with elevated loads should be contained to short distances; i.e., 10-15 feet/4-5 meters.

If it is necessary to move the unit with an elevated load:

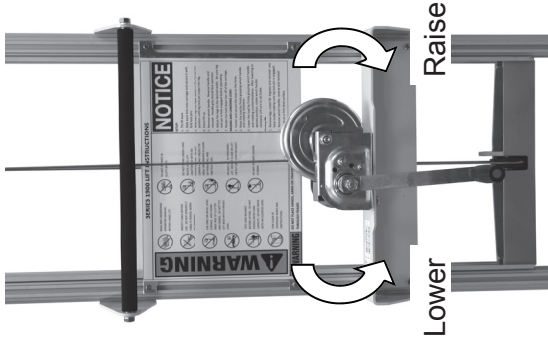
- Make sure the area is clear of obstructions
- Keep personnel away from the load and behind the operator's position
- Move the unit slowly, avoiding sudden jerky starts and stops
- Make sure the load is secure and properly balanced. Note load capacity at given centers on page 14.

3. Lifting and Lowering Loads

Use the winch to crank forks up or down into the desired position.

Any unstable load must be *balanced* and *secured* to the forks prior to lifting.

Turn winch crank clockwise to elevate the load, while watching for overhead obstructions. Turn winch handle counter clockwise to lower the load.



CAUTION



Make sure the floor surface is level.

WARNING



No riders allowed on this unit. This is not a personnel lift and never should be used for hoisting or moving people.

4. Removing and Reversing Forks

The forks on the 1900 series lift are removable. Removing the forks is recommended for storage and is required for reversing. The forks may be reversed to allow for an increased lifting height.



MAINTENANCE INSTRUCTIONS

Before each use:

1. Inspect the lifting cable for frays, cuts or burns. If any damage is visible on the lifting strap, do not use the lift.
2. Make certain winch operates freely and lifting cable is not tangled on the winch drum.
3. Check forks, legs, and base for bends.
4. Make sure caster wheels move freely.

Recommended Inspection Every 6 Months:

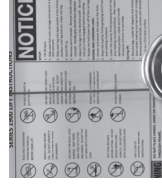
1. Inspect the lifting cable for frays, cuts or burns. If any damage is visible on the lifting cable, do not use the lift.
2. Make certain winch works freely and that there are no loose or damaged parts.

Winch Maintenance:

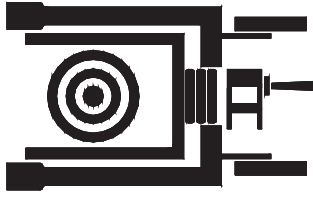
1. Be sure that the winch cover is on the winch.
2. Check ratchet dog and brake ratchet for wear. If any wear is visible, replace the winch. If not, lubricate both parts with a light oil.
3. Inspect gear teeth for wear. If there is no sign of visible wear, brush teeth with 50-wt. Motor oil.
4. For proper brake adjustment see "Troubleshooting" section on page 17.

Replacing the Lifting Strap:

1. Lower the carriage to engage the safety latch.
2. Remove the large gear cover from the winch.
3. Remove the cable anchor bolt from the top of the front mast.
4. Remove the clamp attaching the cable to the side of the winch drum.
5. Pull the old cable through the lift out the front. Make note of the direction of the reeve.
6. Attach the new cable to the top of the front mast using the anchor bolt.
8. Re-reeve the new cable through the lift using notes taken in step 5.
9. Attach new cable to winch drum using clamp that was removed in step 4. **Note: The cable must be fed from the top of the winch under the left side of the drum (looking from the back of the lift). Winding the cable under the right side of the drum will prevent the brake from working.**
10. Wind the slack cable tightly and evenly across the load drum.



LOAD CAPACITY CHART



WARNING

The center of gravity of the load should never extend past 20" from the carriage.

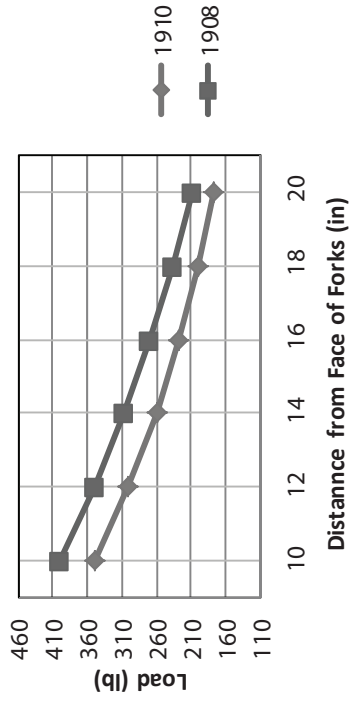


WARNING

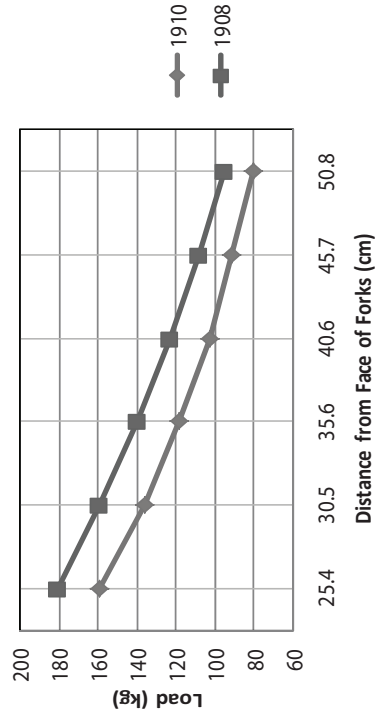
The center of gravity of the load should always be centered between the fork arms and as far back towards the lift as possible.



1900 Series Load Capacity (Imperial)

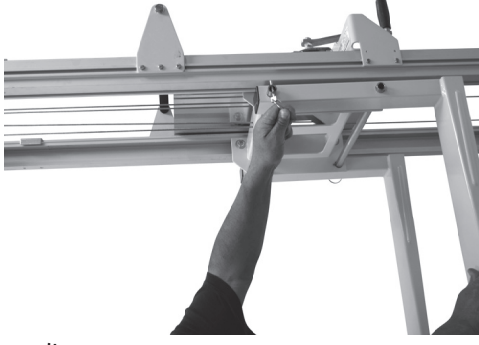


1900 Series Load Capacity (Metric)



To remove the forks, remove the two spring pins. Slide the fork outward off of the mounting bars. Repeat for the other fork arm.

Reverse this procedure to install the forks.



To invert the forks, remove the fork arms as described above. Rotate the fork 180 degrees and reinstall.



5. Using the Legs

The 1900 Series Lift will arrive with the legs in the upright storage position. Before attempting to attach the forks and use the lift, the legs must be rotated to the operating position.



CAUTION



Attempting to install the forks and/or use the lift with the legs in the storage position will result in the lift being unstable.

To reposition the legs, lay the lift down on a flat level surface.



Using one hand, pull the spring loaded pin while sliding the leg out of the base with the other hand. Rotate the leg 90° and reinsert it into the base with one hand while pulling the spring loaded plunger with the other hand. Repeat this procedure for the other leg.



The legs can be positioned in two configurations, narrow and wide. The narrow configuration allows access into confined spaces. While not required, the wide configuration allows for greater stability on lifts greater than 6 ft.



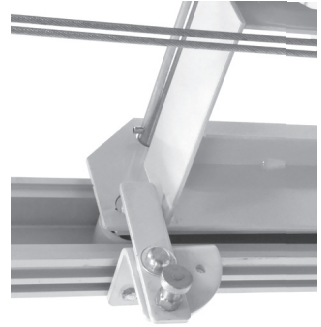
WARNING



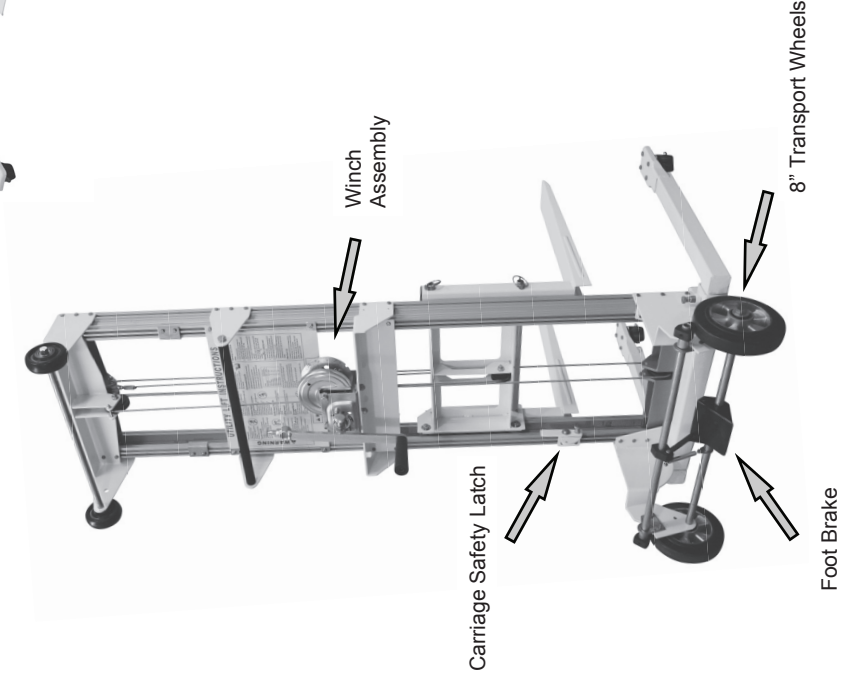
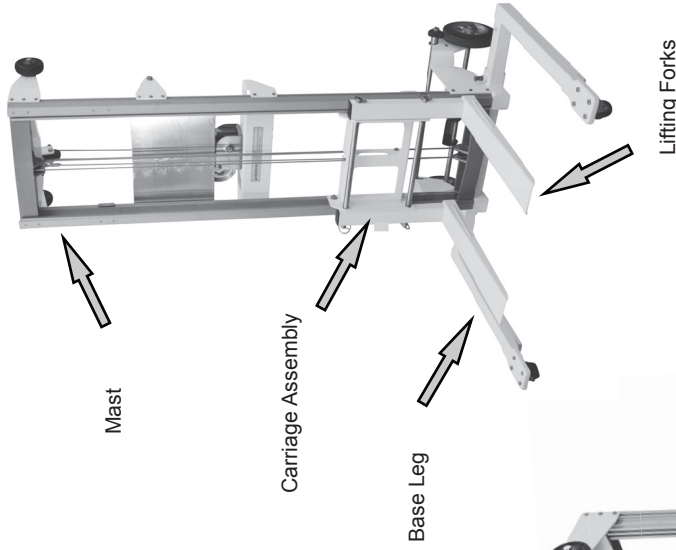
Lifting a load without the spring loaded pins fully engaged in the leg locating holes can cause the lift to become unstable and/or tip over.

6. Carriage Safety Latch

The 1900 Series comes equipped with a safety latch to engage the carriage. The purpose of the latch is to prevent the mast sections from extending during transportation. To use your lift, disengage the Safety Latch from the carriage and install the legs and forks into their operating positions.



LIFT DIAGRAM



SPECIFICATIONS

	Specifications			
	1908		1910	
Dimensions	Imperial	Metric	Imperial	Metric
Height Stowed	5' 8 1/4"	1.73 m	6' 7.5"	2.02 m
Forks Down	8' 2"	2.49 m	9' 9 1/2"	2.98 m
Width Max	3' 6 3/4"	1.08 m	3' 6 3/4"	1.08 m
Width Min	2' 4 1/2"	0.72 m	2' 4 1/2"	0.72 m
Inside Max	3' 3/4"	0.93 m	3' 3/4"	0.93 m
Length Stowed	1' 4 1/2"	0.42 m	1' 4 1/2"	0.42 m
Length Operating	3' 10"	1.16 m	3' 10"	1.16 m
Fork Specifications				
Fork Width	4"	10.2 cm	4"	10.2 cm
Fork Length	22 1/4 "	56.5 cm	22 1/4 "	56.5 cm
Weight				
Net Weight	168lb	76kg	172lb	78kg
Load Capacity				
Load Center	400 lb	180kg	350lb	160kg
	10"	25.4 cm	10"	25.4 cm



The Carriage Safety Latch is engaged at the top of the carriage. Lower the carriage all the way down to it's lowest position.



Pull out on the spring loaded plunger pin.

While holding the plunger pin out, rotate the latch 90 degrees and release the plunger. Make sure the spring loaded plunger pin engages into the hole locking the latch in the horizontal position.

Reverse this procedure to release the Safety Latch.

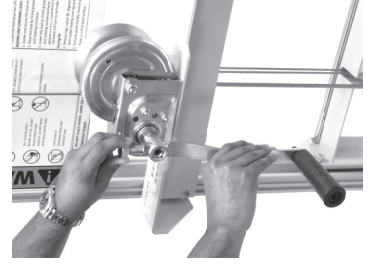
WARNING



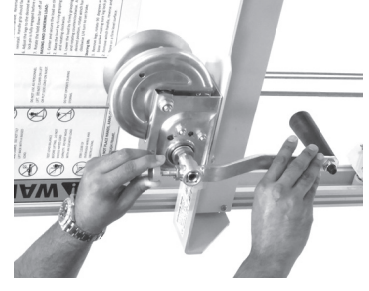
Failing to remove the Carriage Latch before attempting to raise a load can result in damage to the lift.

7. Storing and Transporting the Lift

To store and/or transport the lift, remove the forks (described in section 4), place the legs in the storage position (described in section 5 and reverse the winch handle.



To reverse the winch handle, pull the spring loaded pin with one hand while sliding the handle off with the other hand. Rotate the handle 180° and reinstall. This places the winch handle in a secure location for transportation or storage.





With the legs and winch handle in the storage positions, the lift is compact and can be stowed easily in the upright position.

Foot Brake

The 1900 Series Lift is outfitted with a foot brake. When engaged, the brake will prevent the 8" transport wheels from rotating.



To operate the brake, press the brake pad with your foot until the brake locks into place. When you hear the "snap" you know the brake is locked into place.

To load the lift into a truck or van, lean the lift back onto the winch side until the 4" wheels contact the truck bed. Raise the bottom end of the lift, and roll the unit into position.



To release the brake, press the release tap with your foot until the brake unlocks. When you hear the "snap" you will know the brake is unlocked.

CAUTION

Make sure the Mast Safety Latch is securely attached to the carriage before transporting the lift.

