



Southwire™

DIE CAST ALUMINUM BOXES DOUBLE GANG BOXES 5 HOLE DEEP

FEATURES

- 40 cubic inch capacity
- 1/2", 3/4" or 1" threaded hub
- Superior commercial quality die cast metal construction
- Boxes include closure plugs, grounding screws and mounting lugs
- Installation instructions included
- Gray

APPLICATIONS

- UL listed for wet locations
- For wall or pole mounting of outdoor outlets, switches or floodlights

STANDARD MATERIAL

- Copper free aluminum

STANDARD FINISH

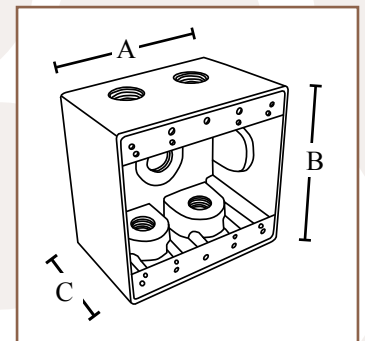
- Premium powder coat finish



WDB2550



UL® Listed and 2011 NEC® and
NEMA® 3R Compliant



PART #	THREADED HUB	MASTER QTY.	WEIGHT/ CASE (LBS.)	A	B	C
WDB2550	1/2"	10	21	4.56"	4.56"	2.62"
WDB2575	3/4"	10	21	4.56"	4.56"	2.62"
WDB25100	1"	10	21	4.56"	4.56"	2.62"

Rev. 0, 06/23

**BUILT FOR DURABILITY.
BUILT FOR RELIABILITY.
BUILT FOR WORK.™**

1-855-798-6657 | SOUTHWIRE.COM

©2023 Southwire Company, LLC. All rights reserved.
*Registered Trademark & ™Trademark of Southwire Company, LLC.