



Southwire™

SINGLE GANG IN-USE COVERS

7 IN 1 METAL EXTRA DUTY IN-USE COVER

FEATURES

- Low profile multi height metal extra duty in-use cover
- Impact rated, withstands today's destructive forces
- Reinforced hinge withstands 40 lbs.stress test
- Lockable to prevent accidental disconnects
- Patent snap in adapters enables tool free installation
- Swing bar up or down for patent multi height position
- Expands out to 3-1/2" to gain extra clearance and accommodate internal cords
- Sleek industrial design
- Easy to open
- Extra large cord opening for heavy gauge cords



APPLICATIONS

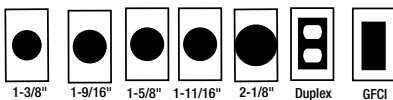
- UL listed for wet locations
- Extra duty metal in use covers are designed for use whenever weatherproof protection is required while an outlet is in use
- Provides superior protection for industrial, commercial and residential electrical receptacles

STANDARD MATERIAL

- Copper free aluminum

STANDARD FINISH

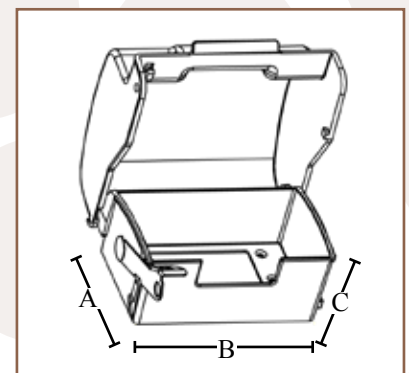
- Premium powder coat finish



WCIU1VM



Meets and exceeds extra duty per 2011 NEC article 406.9(B);
UL 514D and CSA C22.2 No. 42.1-00
NEMA 3R Rating Compliant;
UL standard 614D, cULus Listed: E254321
Fed. Spec. A-A-50563
NEMA FB 1



PART #	OPENING	MASTER QTY.	WEIGHT/ CASE (LBS.)	A	B	C DEPTH
WCIU1VM	2.75-3.50	10	11	4.61"	3.07"	2.39"
WCIU1HM	2.75-3.50	10	11	2.83"	4.61"	2.39"

Rev. 0, 06/23

**BUILT FOR DURABILITY.
BUILT FOR RELIABILITY.
BUILT FOR WORK.™**

1-855-798-6657 | SOUTHWIRE.COM

©2023 Southwire Company, LLC. All rights reserved.
*Registered Trademark & ™Trademark of Southwire Company, LLC.