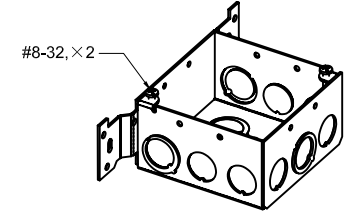
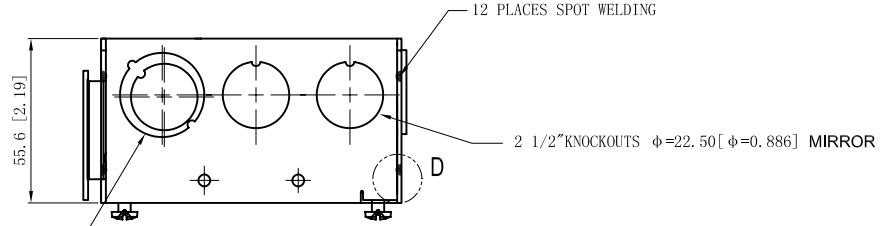
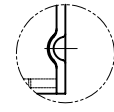
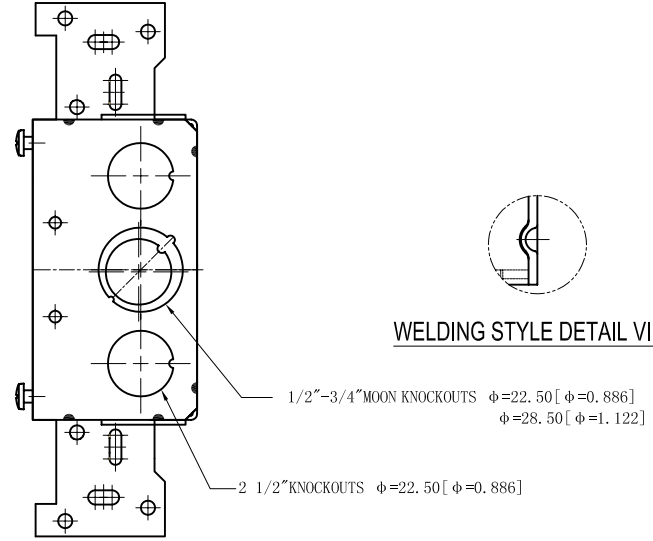
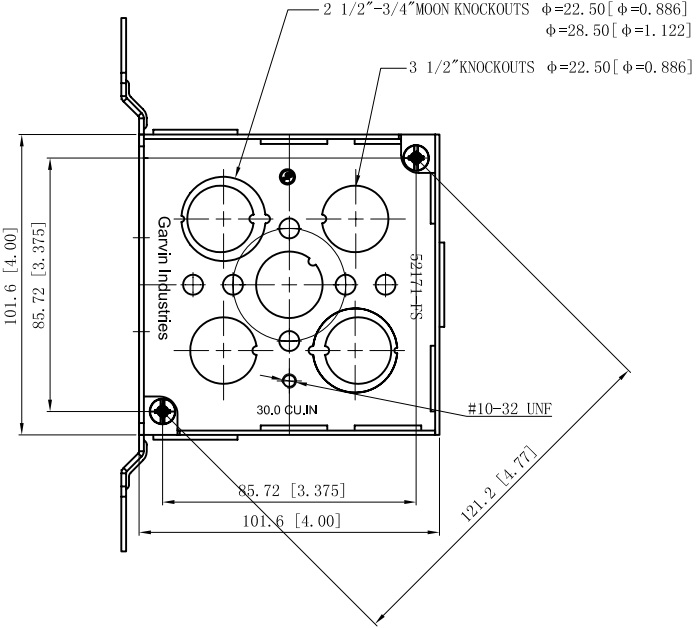
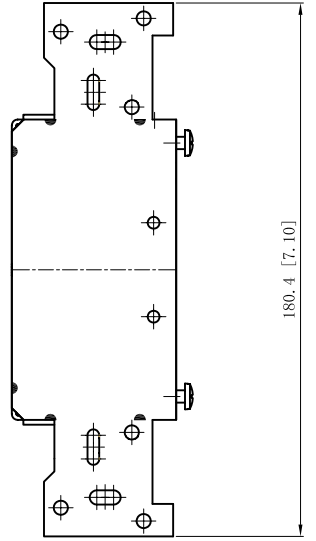


SIDES	BOTTOM
6 1/2" KNOCKOUTS	3 1/2" KNOCKOUTS
3 1/2"-3/4" MOON KNOCKOUTS	2 1/2"-3/4" MOON KNOCKOUTS
2 PCS 8-32x1/2 Screws Installed	
Material: Steel-0.0625"-G60 Galvanized	



4 1/2"-3/4" MOON KNOCKOUTS $\phi=22.50 [\phi=0.886]$
 $\phi=28.50 [\phi=1.122]$ MIRROR



WELDING STYLE DETAIL VIEW D

DESCRIPTION
TRADE REFERENCE TERMS

This data sheet is for reference only .GARVIN INDUSTRIES reserves the right to make changes to the design without prior notice.

STANDARD PACKING	TITLE		
	GARVIN INDUSTRIES		
25 PCS	4" SQUARE BRACKET BOXES (2-1/8" DEEP)		
	SIZE	DWG NO.	REV
A4	52171-FS	C	
DATA SHEET			