



## DRAFTSEAL™ BOX ACCESSORY ROUND CEILING KIT

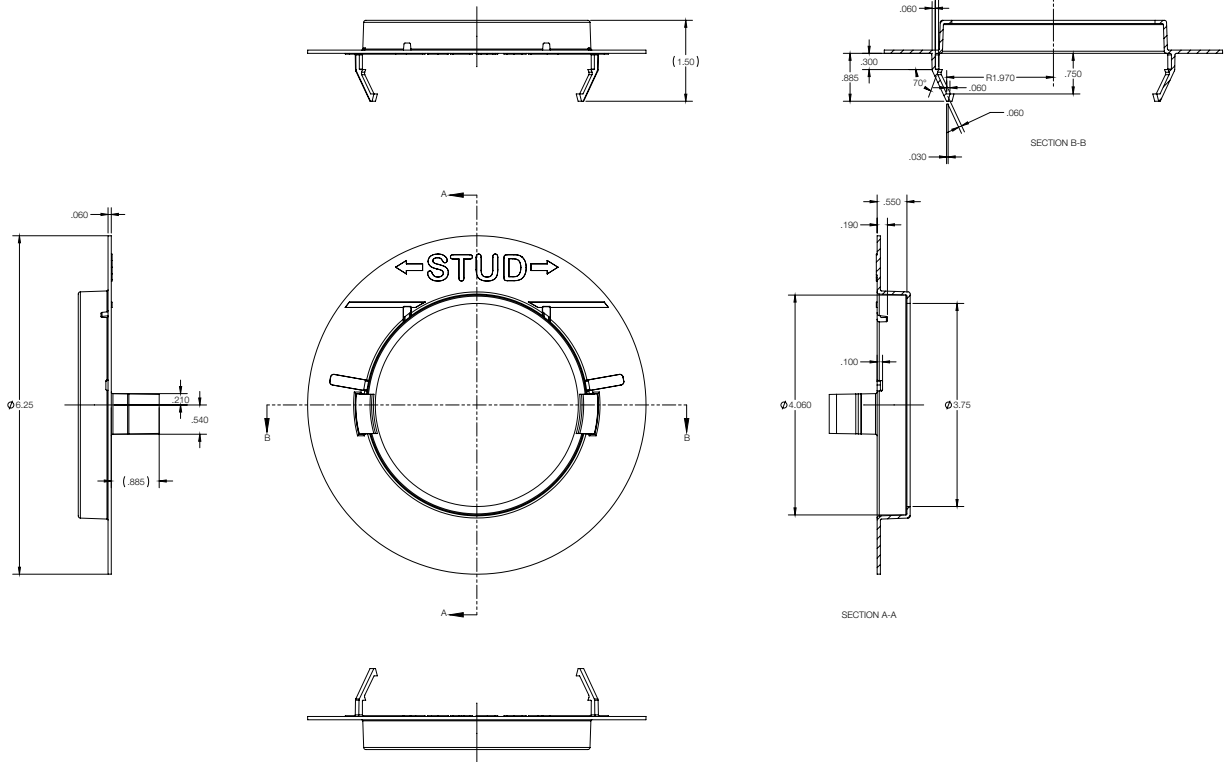


### FEATURES:

- Helps to reduce drafts, vapors and sound transmissions through exterior walls.
- Works with all standard non-metallic boxes.
- Green ring is easily identifiable after dry wall install.
- Eliminates need for caulking & sealants.
- Complies with the IECC & LEED for envelope sealing.
- Includes foam gaskets to cover wire ports.

**TYPE OF INSTALLATION:** New Work

**CERTIFICATIONS:** UL Listed



MODEL#	MATERIAL	UPC	I20F5	MASTER QTY	TRADE SIZE		
MDSKRC	PVC, Foam Gaskets	784297022081	50784297022086	24	4/0 Round		
ITEM HEIGHT	ITEM WIDTH	ITEM DEPTH	ITEM WEIGHT	MASTER HEIGHT	MASTER WIDTH	MASTER DEPTH	MASTER WEIGHT
6.25 in.	6.25 in.	1.50 in.	0.25 lbs.	7.13 in.	12.50 in.	24.30 in.	5.30 lbs.
INNER QTY	INNER HEIGHT	INNER WIDTH	INNER DEPTH	INNER WEIGHT			
6	6.75 in.	6.13 in.	12.30 in.	1.17 lbs.			

