



Southwire™

FDS TYPE BOXES

SINGLE

FEATURES

- Surface mounted electrical box with grounding lug has one conduit hub on short wall side

APPLICATIONS

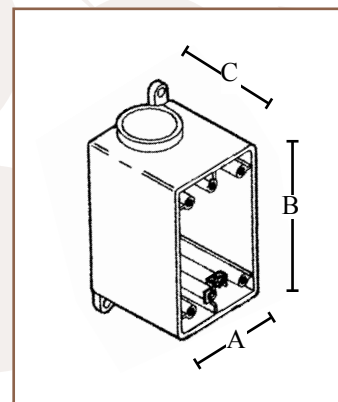
- Use for straight line conduit runs and splices
- Uses single gang electrical device cover

STANDARD MATERIAL

- PVC



1310



| PART # | SIZE | MASTER QTY. | WEIGHT/ CASE (LBS.) | A | B | C |
|--------|------|-------------|---------------------|--------|---------|----|
| 1310 | 1/2" | 10 | 4 | 2.875" | 4.5625" | 3" |
| 1311 | 3/4" | 10 | 6 | 2.875" | 4.5625" | 3" |
| 1312 | 1" | 10 | 5 | 2.875" | 4.5625" | 3" |

Rev. 0, 06/23

**BUILT FOR DURABILITY.
BUILT FOR RELIABILITY.
BUILT FOR WORK.™**

1-855-798-6657 | SOUTHWIRE.COM

©2023 Southwire Company, LLC. All rights reserved.
*Registered Trademark & ™Trademark of Southwire Company, LLC.