



Southwire™

DIE-CAST ALUMINUM COVERS

SINGLE GANG COVERS

1 OR 3 HOLE RECTANGLE

FEATURES

- 1 or 3 hole 1/2" threaded hub
- Includes gasket and screws
- Fits FS device boxes
- Superior commercial quality die cast metal construction
- Installation instructions included
- Gray, bronze and white

APPLICATIONS

- UL listed for wet locations
- Fits FS device boxes

STANDARD MATERIAL

- Copper free aluminum

STANDARD FINISH

- Premium powder coat finish



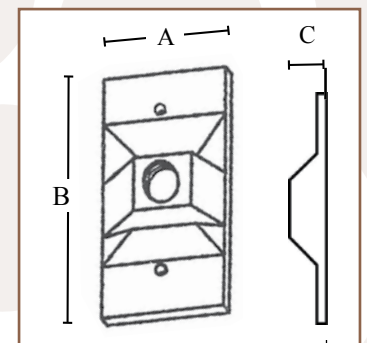
WCR1150

WCR1350



UL® Listed and 2011 NEC® and
NEMA® 3R Compliant

PART #	# OF HOLES	COLOR	THREADED HUB	MASTER QTY.	WEIGHT/CASE (LBS.)	A	B	C
WCR1150	1	GRAY	1/2"	50	14	2.79 "	4.55"	.99"
WCR1150W	1	WHITE	1/2"	50	14	2.79 "	4.55"	.99"
WCR1350	3	GRAY	1/2"	50	14	2.79 "	4.55"	.99"
WCR1350B	3	BRONZE	1/2"	50	14	2.79 "	4.55"	.99"
WCR1350W	3	WHITE	1/2"	50	14	2.79 "	4.55"	.99"



Rev. 0, 06/23

**BUILT FOR DURABILITY.
BUILT FOR RELIABILITY.
BUILT FOR WORK.™**

1-855-798-6657 | SOUTHWIRE.COM

©2023 Southwire Company, LLC. All rights reserved.
*Registered Trademark & ™Trademark of Southwire Company, LLC.