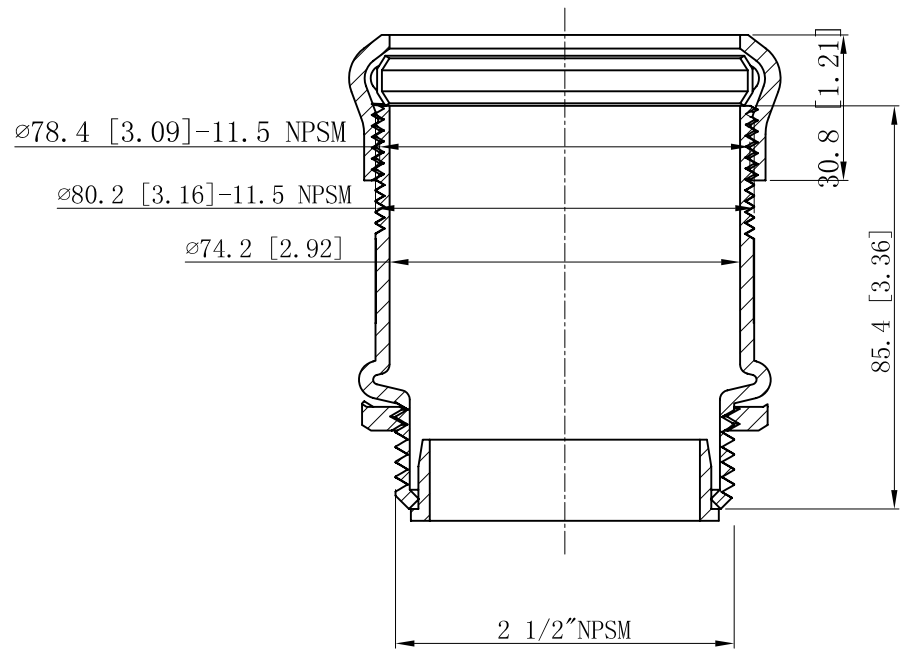
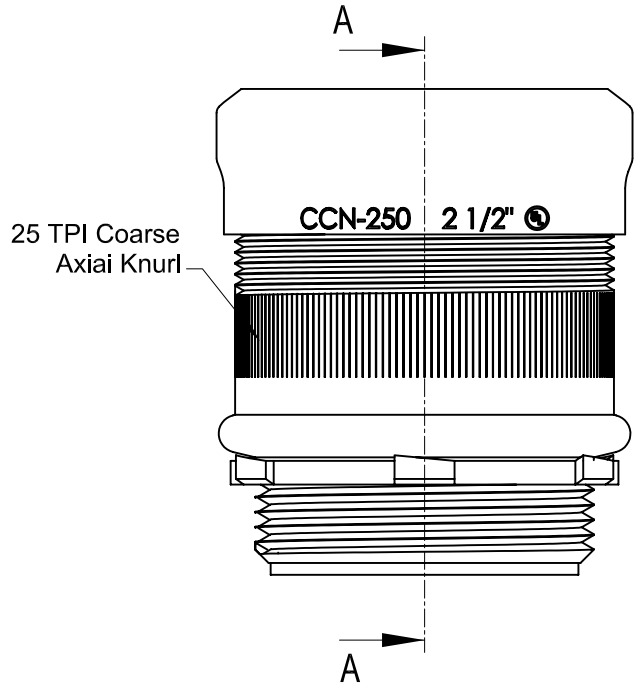
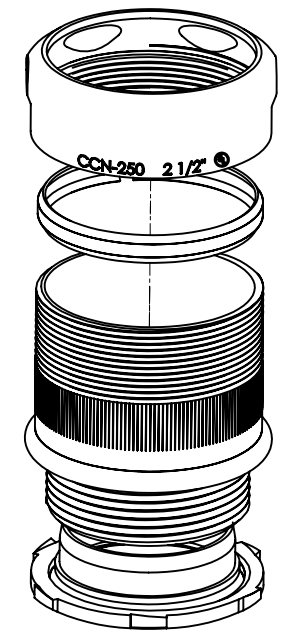


SIDES	BOTTOM
Material: Steel-C. R. S Galvanized	



CUTAWAY VIEW A-A



DESCRIPTION
TRADE REFERENCE TERMS

This data sheet is for reference only .GARVIN INDUSTRIES reserves the right to make changes to the design without prior notice.

STANDARD PACKING	<h1 style="text-align: center;">GARVIN INDUSTRIES</h1> <h2 style="text-align: center;">STEEL EMT SET COMPRESSION CONNECTORS</h2>		
5 PCS			
SIZE	DWG NO.	REV	
A4	CCN-250I	A	
DATA SHEET			