



Southwire™

BEAM ATTACHMENT CABLE TO FLANGE CLIP

APPLICATION

Supports nonmetallic sheathed cable to flanges.

FEATURES

Supports 14-2 to 12-2 NM cables

Accommodates flange thickness of 5/16" - 1/2"

Hammer-on installation

MATERIAL/FINISH

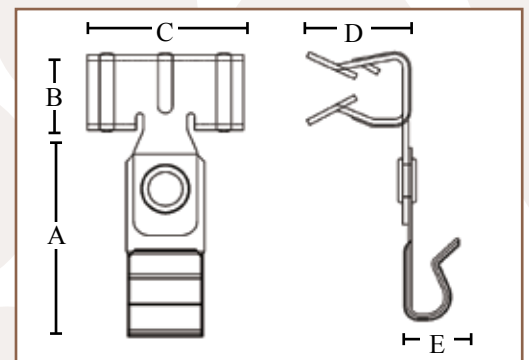
Spring Steel/GEOSEAL™

CERTIFICATIONS

UL Standard: UL 2239



RMX58TZ



PART #	A	B	C	D	E	BOX QTY.
RMX58TZ	1.44"	.606"	1.26"	.866"	.331"	100

Rev. 1, 03/23

**BUILT FOR DURABILITY.
BUILT FOR RELIABILITY.
BUILT FOR WORK.™**

1-855-798-6657 | SOUTHWIRE.COM

©2023 Southwire Company, LLC. All rights reserved.
*Registered Trademark & ™Trademark of Southwire Company, LLC.