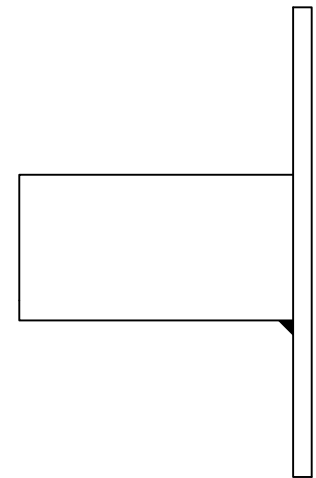
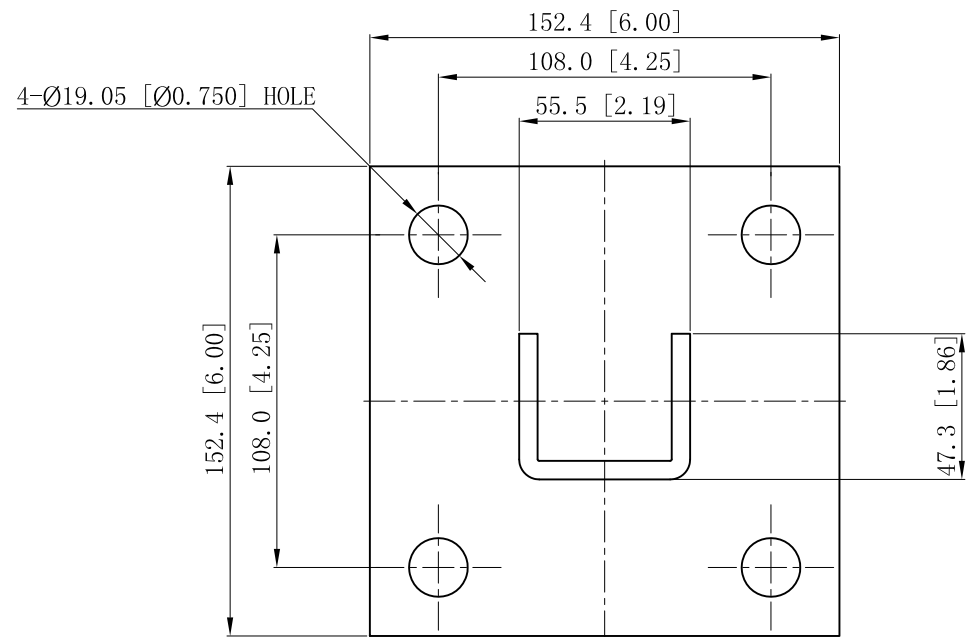
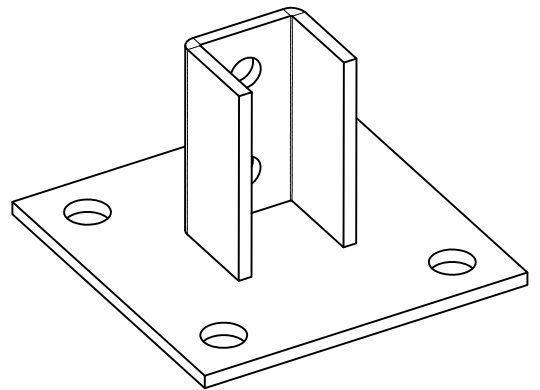
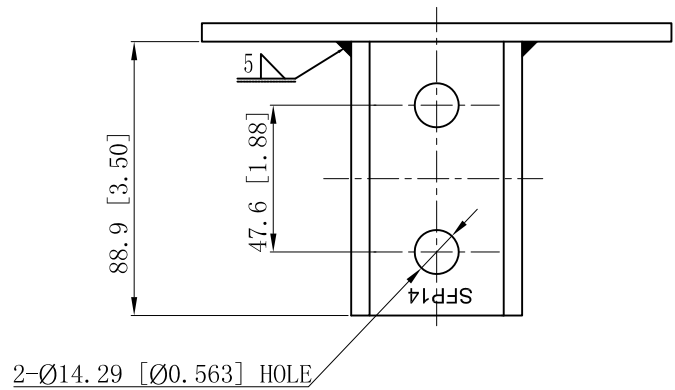


|  |        |
|--|--------|
| SIDES                                      | BOTTOM |
|  |        |
|  |        |
|  |        |
|  |        |
| Material: Steel-0.236"- H.R.S, Zinc plated |        |



This data sheet is for reference only .GARVIN INDUSTRIES reserves the right to make changes to the design without prior notice.

|                       |
|-----------------------|
| DESCRIPTION           |
|                       |
|                       |
| TRADE REFERENCE TERMS |
|                       |

|                  |
|------------------|
| STANDARD PACKING |
| 5 PCS            |

|   |                  |     |
|---|------------------|-----|
| <b>GARVIN INDUSTRIES</b>                    |                  |     |
| TITLE<br>FOUR-HOLE SINGLE-CHANNEL POST BASE |                  |     |
| SIZE<br>A4                                  | DWG NO.<br>SFP14 | REV |
| DATA SHEET                                  |                  |     |