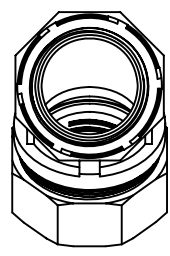
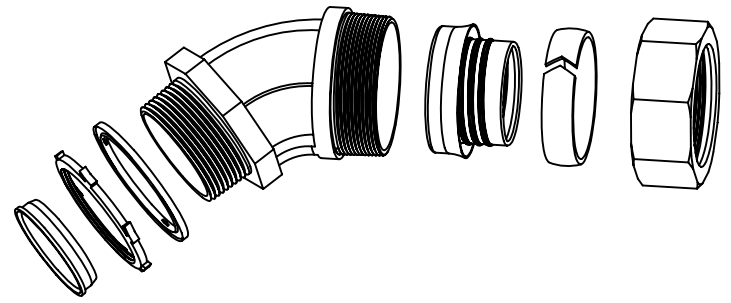
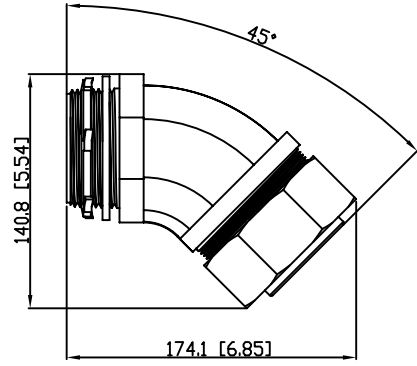
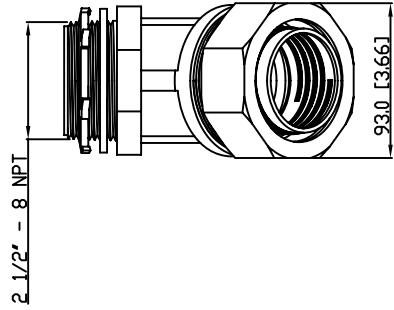


SIDES	BOTTOM
Material: Steel-(C1008-C1018) Galvanized	



This data sheet is for reference only .GARVIN INDUSTRIES reserv the right to make changes to the design without prior notice.

DESCRIPTION
TRADE REFERENCE TERMS

STANDARD PACKING
1 PCS

TITLE			REV
45° Liquid Tight Conn, 2 1/2"			
SIZE	DWG NO.	REV	
A4	DS-LTC-25045	A	

GARVIN INDUSTRIES