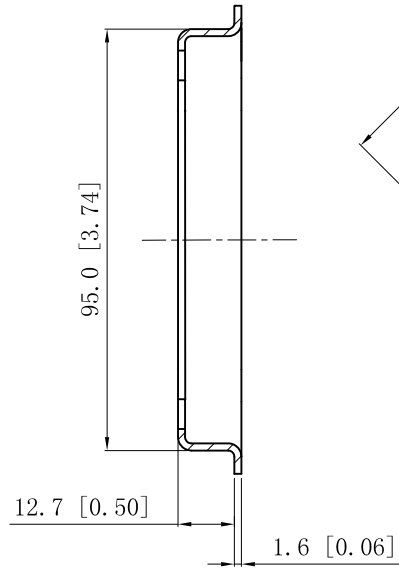
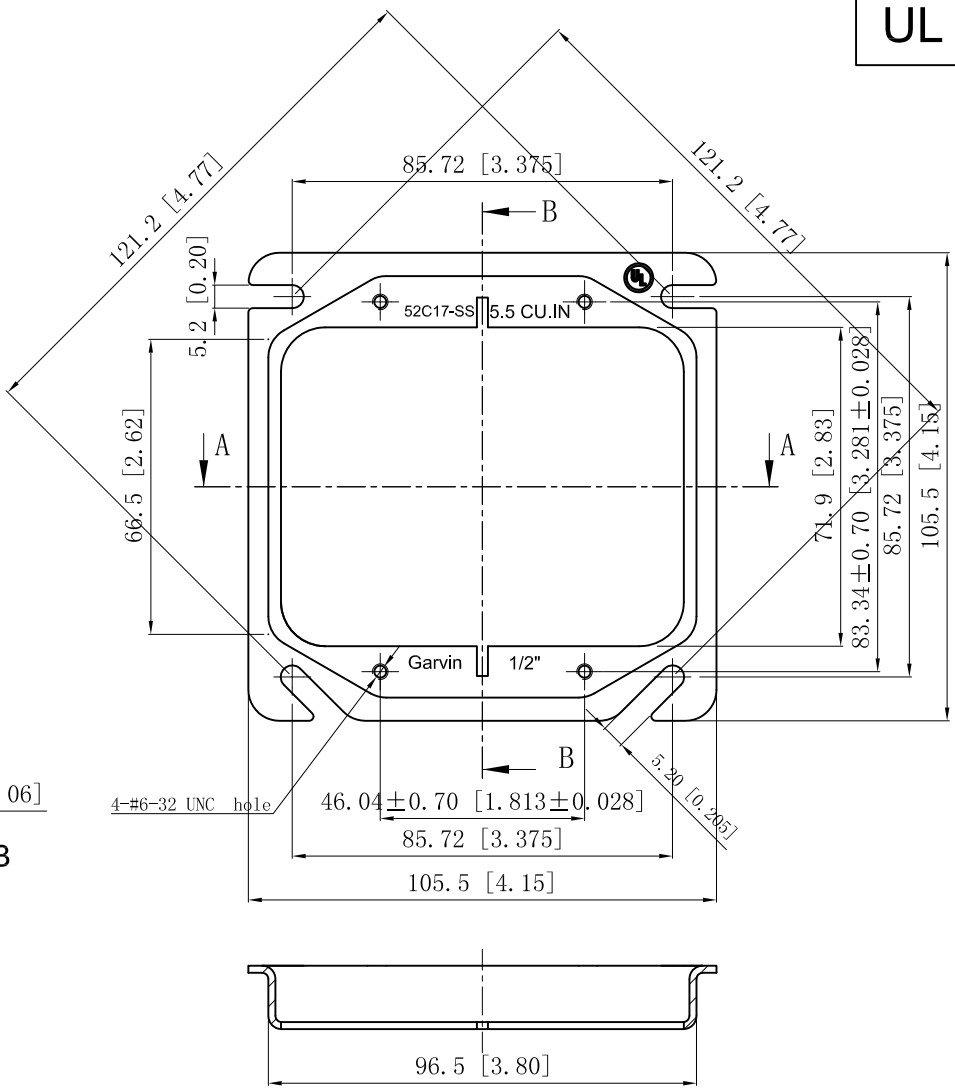


SIDES	BOTTOM
Material: 0.051~0.059- stainless steel 316	



CUTAWAY VIEW B-B



This data sheet is for reference only .GARVIN INDUSTRIES reserves the right to make changes to the design without prior notice.

DESCRIPTION
TRADE REFERENCE TERMS

STANDARD PACKING	<h1 style="margin: 0;">GARVIN INDUSTRIES</h1>			
50 PCS				
TITLE	4" SQUARE 1-DEVICE COVERS (PLASTER/MUD RINGS)			
SIZE	A4	DWG NO.	52C17-SS	REV A
DATA SHEET				
www.garvinindustries.com				