



Southwire™

BEAM/PURLIN

HAMMER-ON FLANGE CLIP

APPLICATIONS

Provides an attachment solution to beam flanges for wire, hooks, and chains.

FEATURES

Hammer-on installation
Provides 1/4" hanger hole
Side mount

MATERIAL/FINISH

Spring Steel/GEOSEAL™

CERTIFICATIONS

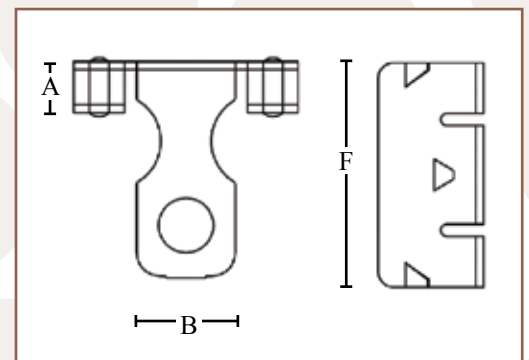
UL Standard: UL 2239



2H4TZ



| PART # | FLANGE SIZE | STATIC LOAD (LBS.) | A | B | C | BOX QTY. |
|---------|---------------|--------------------|-------|-------|-------|----------|
| 2H4TZ | 3/32" – 9/64" | 160 | .26" | .496" | 1.13" | 100 |
| 4H24TZ | 1/8" – 1/4" | 200 | .37" | .512" | 1.26" | 100 |
| 4H58TZ | 5/16" – 1/2" | 200 | .606" | .512" | 1.26" | 100 |
| 4H912TZ | 9/16" – 3/4" | 200 | .866" | .512" | 1.26" | 100 |



Rev. 0, 03/23

**BUILT FOR DURABILITY.
BUILT FOR RELIABILITY.
BUILT FOR WORK.™**

1-855-798-6657 | SOUTHWIRE.COM

©2023 Southwire Company, LLC. All rights reserved.
*Registered Trademark & ™Trademark of Southwire Company, LLC.