



Southwire™

NAIL PLATES

PRESS-ON NAIL PLATE

APPLICATION

Press-on nail plates protect electrical and mechanical gear routed through studs.

FEATURES

Easy no-tool installation
For metal or wood studs
Holes provided on clip legs to screw into stud for additional support

MATERIAL/FINISH

Steel/GEOSEAL™

CERTIFICATIONS

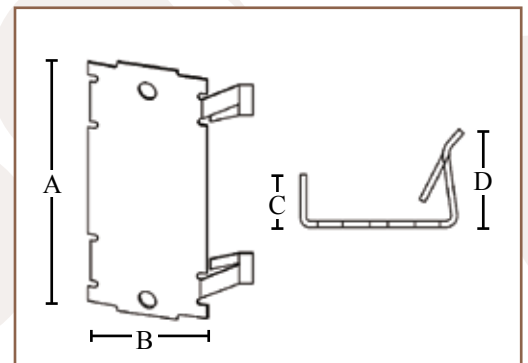
UL Standard: UL 2239



304B2TZ



| PART # | A | B | C | D | BOX QTY. |
|---------|-------|-------|-------|-------|----------|
| 304B2TZ | 3.13" | 1.50" | .547" | 1.02" | 100 |



Rev. 0, 03/23

**BUILT FOR DURABILITY.
BUILT FOR RELIABILITY.
BUILT FOR WORK.™**

1-855-798-6657 | SOUTHWIRE.COM

©2023 Southwire Company, LLC. All rights reserved.
*Registered Trademark & ™Trademark of Southwire Company, LLC.