



Southwire™

TRANSFORMER POWER STATIONS

Southwire's line of Transformer Power Stations combine all the features of the 3 Phase Power Distribution Panels with an on-board 480V or 600V Delta/Wye Transformer. These units allow an easy and quick connection of a portable power system to a higher voltage system, without having to purchase or rent an additional generator or power line. Southwire offers both 2-wheel and 4-wheel Power Carts that are designed to break down 3-phase 480V Delta power into, 208V 3 phase, 250V single phase, or 125V power. The power supply input may be a direct wire feed, 60A or 100A pin and sleeve, or a CAM-Type device. These are available in 100, 200, or 400-amp configurations. Most applications are 480V 3-Phase Delta service to 120/208V 3-Phase Wye Service, but many different options are available and may be custom configured to meet the needs of specific user applications.

FEATURES

- Clear Breaker panel window allows instant visibility on circuit status
- Lifting Rings allow for fast access to hook into a lift and relocate where it is needed
- All units include casters or wheels, as well as access for forklifts
- Heavy-duty cart allows for compact storage yet fast mobility
- Built to CSA Standards with either 480 Volt or 600 Volt transformers upon request



6210PDC15-2



6210PDC45



**16 GA. STAINLESS-STEEL
ENCLOSURE ENDURES FOR YEARS
OF USE**

**UL LISTED TYPE 3R OUTDOOR
RATING FOR UP TO 480V, 400-AMP**

**HEAVY-DUTY, IMPACT &
FLAME-RESISTANT ENCLOSURE**

**UP TO 600-AMP, 600V UL LISTED
CONFIGURATIONS AVAILABLE**

**CSA CERTIFICATIONS AVAILABLE AT
EXTRA CHARGE**

**CARTS RATED FOR 3,000 LBS
(2-WHEEL) AND 10,000 LBS
(4-WHEEL) LIFTING**

 **WE'VE GOT IT
MADE IN AMERICA™**

 **CUSTOMIZATION
AVAILABLE**













**BUILT FOR DURABILITY.
BUILT FOR RELIABILITY.
BUILT FOR WORK.™**

1-855-798-6657 | SOUTHWIRE.COM

©2024 Southwire Company, LLC. All rights reserved.
*Registered Trademark & ™Trademark of Southwire Company, LLC.



Southwire™

CERTIFICATION # (MODEL # FOR WEBSITE)	SOUTHWIRE #	FRAME SIZE	TRANSFORMER TYPE	TRANSFORMER	PRIMARY DISCONNECT	PANEL # (FROM PAGE 11)	RECEPTACLES	OUTPUT CONFIGURATION	RECEPTACLES	OUTPUT CONFIGURATION	APPROX. WEIGHT
991A3F2-27	6210PDC15-2	C2	480V 3P4W Delta to 120/208V 4P5W Wye	15KVA	30A	6210	NEMA 5-20 Duplex 125V 20A 2P3W 'T-Slot' receptacles with dedicated GFCI protection	 5-20 'U-Ground' x 10	2 x 250V 2P3W 30-Amp NEMA L6-30	 L6-30 x 2	640 lbs
991A3F2-28	6212PDC15-2	C2				6212		 5-20 'U-Ground' x 2	4 x 125/250V 4P5W 50-Amp 6369	 6369 x 4	640 lbs
991A3F2-29	6210PDC15	F2				6210		 5-20 'U-Ground' x 10	2 x 250V 2P3W 30-Amp NEMA L6-30	 L6-30 x 2	234 lbs
991A3F2-30	6212PDC15	F2		6212	 5-20 'U-Ground' x 2	4 x 125/250V 4P5W 50-Amp 6369		 6369 x 4	640 lbs		
991B3F2-78	6210PDC30-2	C2		30KVA	60A	6210		 5-20 'U-Ground' x 10	2 x 250V 2P3W 30-Amp NEMA L6-30	 L6-30 x 2	640 lbs
991B3F2-79	6212PDC30-2	C2				6212		 5-20 'U-Ground' x 2	4 x 125/250V 4P5W 50-Amp 6369	 6369 x 4	640 lbs

**BUILT FOR DURABILITY.
BUILT FOR RELIABILITY.
BUILT FOR WORK.™**

1-855-798-6657 | SOUTHWIRE.COM

©2024 Southwire Company, LLC. All rights reserved.
*Registered Trademark & ™Trademark of Southwire Company, LLC.



Southwire™

CERTIFICATION # (MODEL # FOR WEBSITE)	SOUTHWIRE #	FRAME SIZE	TRANSFORMER TYPE	TRANSFORMER	PRIMARY DISCONNECT	PANEL # (FROM PAGE 11)	RECEPTACLES	OUTPUT CONFIGURATION	RECEPTACLES	OUTPUT CONFIGURATION	RECEPTACLE 1	OUTPUT CONFIGURATION	APPROX. WEIGHT		
991B3F2-80	6210PDC30	F2	480V 3P4W Delta to 120/208V 4P5W Wye	30KVA	60A	6210	NEMA 5-20 Duplex 125V 20A 2P3W "T-Slot" receptacles with dedicated GFCI protection	5-20 'U-Ground' x 10	2 x 250V 2P3W 30-Amp NEMA L6-30	L6-30 x 2			468 lbs		
991B3F2-81	6212PDC30	F2		6212		5-20 'U-Ground' x 2		4 x 125/250V 4P5W 50-Amp 6369	6369 x 4			640 lbs			
991B3F2-82	6210PDC45-2	C5		45KVA		6210		5-20 'U-Ground' x 10	2 x 250V 2P3W 30-Amp NEMA L6-30	L6-30 x 2			702 lbs		
991B3F2-83	6212PDC45-2	C5				6212		4 x 125/250V 4P5W 50-Amp 6369	6369 x 4			702 lbs			
991B3F2-84	6212PDC45	F2				6212		4 x 125/250V 4P5W 50-Amp 6369	6369 x 4			702 lbs			
991B3F2-85	6220PDC45	F2				6220		6 x 125/250V 4P5W 50-Amp 6369	6369 x 6	2 x 250V 2P3W 30-Amp NEMA L6-30	L6-30 x 2		702 lbs		
991C3G2-30	6220PDC75	F2		75KVA	90A	6220		5-20 'U-Ground' DWG x 2	6 x 125/250V 4P5W 50-Amp 6369	6369 x 6	2 x 250V 2P3W 30-Amp NEMA L6-30	L6-30 x 2			1170 lbs
991C3G2-31	6221PDC75	F2				6221		8 x 120/208V 4P5W 20-Amp L21-20	L21-20 x 8			1170 lbs			
991D3I2-3	6240PDC150	F3			150KVA	200A		6240	6 x 120/208V 4P5W 60-Amp IEC 560R9W	560R9W x 6			2340 lbs		
991D3I2-4	6241PDC150	F3						6241	4 x 120/208V 4P5W 100-Amp IEC 560R9W	5100R9W x 4			2340 lbs		
991A6F1-10	6210PDC15-1	C2	480V 3P4W Delta to 125/250V 3P4W Single-Phase Dry-Type	15KVA	30A	6210	5-20 'U-Ground' x 10	2 x 250V 2P3W 30-Amp NEMA L6-30	L6-30 x 2			640 lbs			
991B6F1-9	6210PDC25-1	C2			6210	2 x 250V 2P3W 30-Amp NEMA L6-30	L6-30 x 2			650 lbs					
991B6F1-10	6212PDC25-1	C2			6212	4 x 125/250V 4P5W 50-Amp 6369	6369 x 4			650 lbs					
991A6F1-11	6210PDC15-1E	C4	480V 3P4W Delta to 125/250V 3P4W Single Phase NEMA 4X Encapsulated	15KVA	30A	6210	5-20 'U-Ground' x 10	2 x 250V 2P3W 30-Amp NEMA L6-30	L6-30 x 2			640 lbs			
991B6F1-11	6210PDC25-1E	C4			6210	2 x 250V 2P3W 30-Amp NEMA L6-30	L6-30 x 2			640 lbs					
991B6F1-12	6212PDC25-1E	C4			6212	4 x 125/250V 4P5W 50-Amp 6369	6369 x 4			650 lbs					

**BUILT FOR DURABILITY.
BUILT FOR RELIABILITY.
BUILT FOR WORK.™**

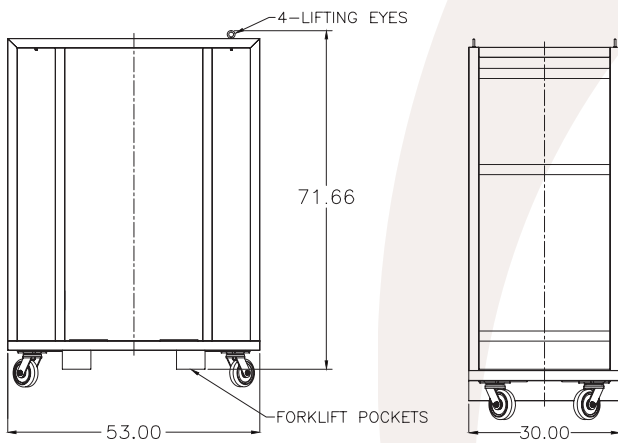
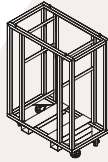
1-855-798-6657 | SOUTHWIRE.COM

©2024 Southwire Company, LLC. All rights reserved.
*Registered Trademark & ™Trademark of Southwire Company, LLC.

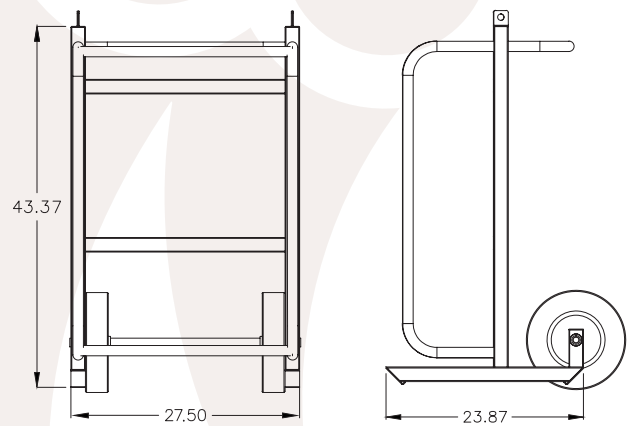
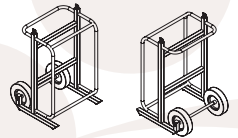


Southwire™

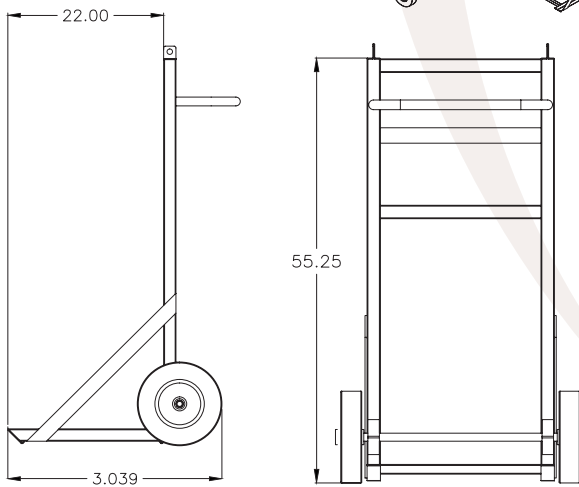
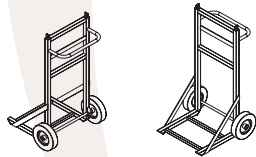
F3-PBK



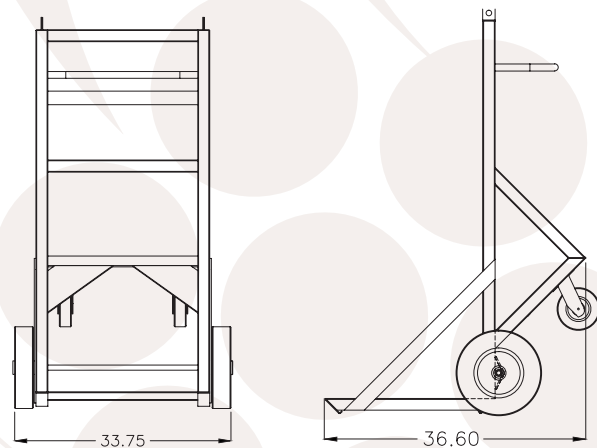
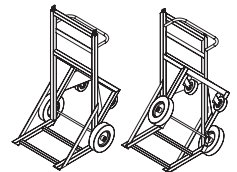
C1-PBK



C2-PBK



C5-PBK



**BUILT FOR DURABILITY.
BUILT FOR RELIABILITY.
BUILT FOR WORK.™**

1-855-798-6657 | SOUTHWIRE.COM

©2024 Southwire Company, LLC. All rights reserved.
*Registered Trademark & ™Trademark of Southwire Company, LLC.