



Southwire™

STRAIGHT LIQUIDTIGHT CONNECTORS WITH GROUNDING LUG - MALLEABLE IRON

FEATURES

- Liquidtight, raintight, oiltight
- Aluminum or Copper Lay-in grounding lug
- Insulated throat protects conductors from abrasion damage
- Zinc electro plated for excellent durability

APPLICATION

- Use to connect liquidtight conduit and terminate an external bonding conductor that runs parallel to the conduit
- The NEC code specifies length limitations and that the bonding jumper must be parallel to the conduit
- UL listed liquidtight flexible metal conduit fittings are suitable for use in the following hazardous locations under: NEC 501-4(b), 502-4(a), (2)503-3(a) Class 1 Div.2, Class II Div.1 and 2, Class III Div.1 and 2 and are suitable for grounding in sizes 3/8" through 1-1/2" under NEC 351-1

STANDARD MATERIAL

- Malleable iron
- Steel locknut
- Aluminum or Copper lug

STANDARD FINISH

- Zinc plated

CERTIFICATIONS

- UL 467 - UL 486A
- Fed. Spec: W-S-610E
- NEMA: GR 1-2017



471SGR



473CSGR



Rev. 0, 01/23

**BUILT FOR DURABILITY.
BUILT FOR RELIABILITY.
BUILT FOR WORK.™**

1-855-798-6657 | SOUTHWIRE.COM

©2023 Southwire Company, LLC. All rights reserved.
*Registered Trademark & ™Trademark of Southwire Company, LLC.



Southwire™

STRAIGHT LIQUIDTIGHT CONNECTORS WITH GROUNDING LUG - MALLEABLE IRON

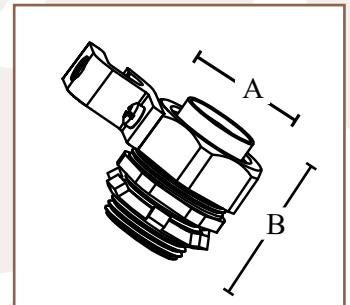
PART #	SIZE	LUG SIZE	INNER QTY.	MASTER QTY.	WEIGHT/ CASE (LBS.)	A	B
ALUMINUM GROUNDING LUG							
470SGR	3/8"	14-4	10	100	22	1.18"	1.72"
471SGR	1/2"	14-4	10	100	23	1.36"	1.73"
472SGR	3/4"	14-4	5	50	18	1.61"	1.81"
473SGR	1"	14-4	5	50	24	1.89"	1.85"
474SGR	1-1/4"	14-4	2	20	16	2.39"	2.05"
475SGR	1-1/2"	14-4	2	20	18	2.62"	2.38"
476SGR	2"	14-4	2	20	27	3.24"	2.49"
477SGR	2-1/2"	1/0-14	---	1	7	3.89"	3.21"
478SGR	3"	1/0-14	---	1	8	4.74"	3.37"
479SGR	3-1/2"	6/250	---	1	8	5.31"	3.40"
480SGR	4"	6/250	---	1	10	5.82"	3.66"
COPPER GROUNDING LUG							
471CSGR	1/2"	14-4	10	100	24	1.36"	1.73"
472CSGR	3/4"	14-4	5	50	16	1.61"	1.81"
473CSGR	1"	14-4	5	50	22	1.89"	1.85"
474CSGR	1-1/4"	14-4	2	20	14	2.39"	2.05"
475CSGR	1-1/2"	14-4	2	20	17	2.62"	2.38"
476CSGR	2"	14-4	2	20	26	3.24"	2.49"
MSTR-250-CL	2-1/2"	1/0-14	---	1	7	3.89"	3.21"
MSTR-300-CL	3"	1/0-14	---	1	8	4.74"	3.37"
MSTR-350-CL	3-1/2"	6/250	---	1	8	5.31"	3.40"
MSTR-400-CL	4"	6/250	---	1	10	5.82"	3.66"



471SGR



473CSGR



Rev. 0, 01/23

**BUILT FOR DURABILITY.
BUILT FOR RELIABILITY.
BUILT FOR WORK.™**

1-855-798-6657 | SOUTHWIRE.COM

©2023 Southwire Company, LLC. All rights reserved.
*Registered Trademark & ™Trademark of Southwire Company, LLC.