



# LED SURFACE MOUNT DOWNLIGHT

## CCT SELECTABLE

### SUGGESTED APPLICATIONS

- Residential and commercial applications
- Multi-family, hospitality, hallways and living rooms
- Surface mount installations in most 3-1/2" and 4" octagon or round junction boxes
- Suitable for use in closets when installed in accordance with the requirements of NEC section 410.16 (A)(3) and 410.16 (C)(5)

### FEATURES

- Sleek, 0.6" ultra-thin profile surface mount downlight
- 5 CCT Selectable: 2700K, 3000K, 3500K, 4000K, or 5000K
- Excellent 90 CRI light with uniform wide beam distribution
- Superior flicker free dimming down to 5%
- T24 JA8: Can be used to comply with California Energy Commission's high efficacy LED light source requirements

**INPUT VOLTAGE: 120V, 60HZ**

**POWER FACTOR: >0.97, <10%**

**DIMMABLE: PHASE CUT,  
DOWN TO 5%**

**EFFICACY: UP TO 74 LPW**

**CRI: 90**

**BEAM ANGLE: 110°**

**LIFETIME (L70): 50,000 HOURS**

**LOCATION RATING: WET**

**AMBIENT OPERATING  
TEMPERATURE: -4°F TO 113°F**



**BUILT FOR DURABILITY.  
BUILT FOR RELIABILITY.  
BUILT FOR WORK.™**

800-666-2852 | SOUTHWIRE.COM

©2024 Southwire Company, LLC. All rights reserved.  
\*Registered Trademark & ™Trademark of Southwire Company, LLC.



# LED SURFACE MOUNT DOWNLIGHT

## CCT SELECTABLE

### ITEM SPECIFICATIONS | ORDER INFO

MODEL #	ORDER CODE	UPC	LUMENS	WATTAGE	INPUT CURRENT	CCT	BEAM ANGLE	ENERGY STAR
SMD5/RND/11/CTS-46	70967	751338038912	910	11W	0.13A	2700K   3000K   3500K   4000K   5000K	110°	Y
SMD7/RND/17/CTS-46	70969	751338038929	1,400	17W	0.18A	2700K   3000K   3500K   4000K   5000K	110°	Y

### NOMENCLATURE

Example: **SMD5/RND/11/CTS-46**

**SMD5** = 5" Surface Mount Downlight / **RND** = Round / **11** = 11 Watts / **CTS** = Color Temperature Selectable

**SMD7** = 7" Surface Mount Downlight

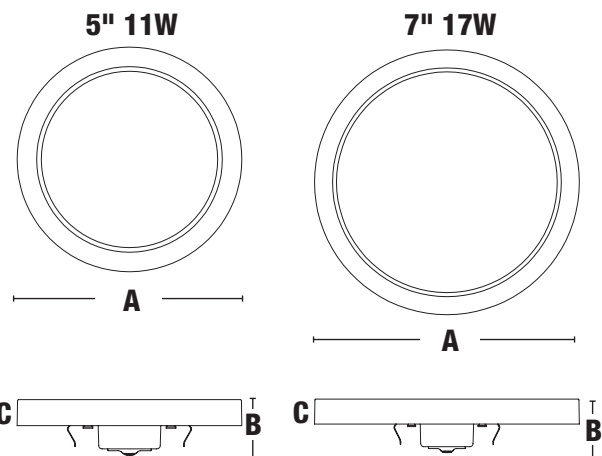
**17** = 7 Watts

### ENERGY SAVINGS *Based on 12 hours/day and \$0.11/kWh*

MODEL #	LED WATTAGE	INCANDESCENT REPLACEMENT WATTAGE	WATTS SAVED	YEARLY SAVINGS	5 YEAR SAVINGS
SMD5/RND/11/CTS-46	11W	65W	54W	\$26.02	\$130.09
SMD7/RND/17/CTS-46	17W	85W	68W	\$32.76	\$163.81

### DIMENSIONS | WEIGHT

MODEL #	A (IN)	B (IN)	C (IN)	WEIGHT (LBS.)
SMD5/RND/11/CTS-46	5.12"	1.26"	0.59"	0.64
SMD7/RND/17/CTS-46	7.09"	0.59"	0.59"	1.01



**BUILT FOR DURABILITY.  
BUILT FOR RELIABILITY.  
BUILT FOR WORK.™**

800-666-2852 | SOUTHWIRE.COM

©2024 Southwire Company, LLC. All rights reserved.  
\*Registered Trademark & ™Trademark of Southwire Company, LLC.

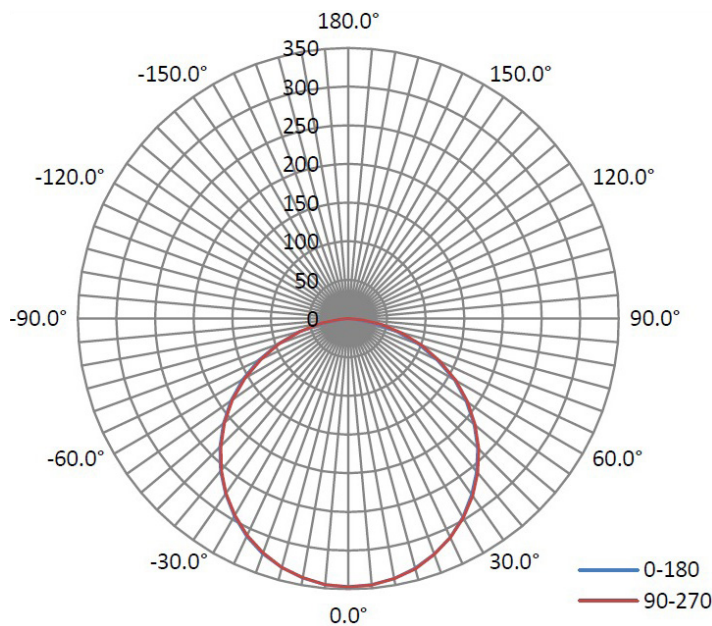


# LED SURFACE MOUNT DOWNLIGHT

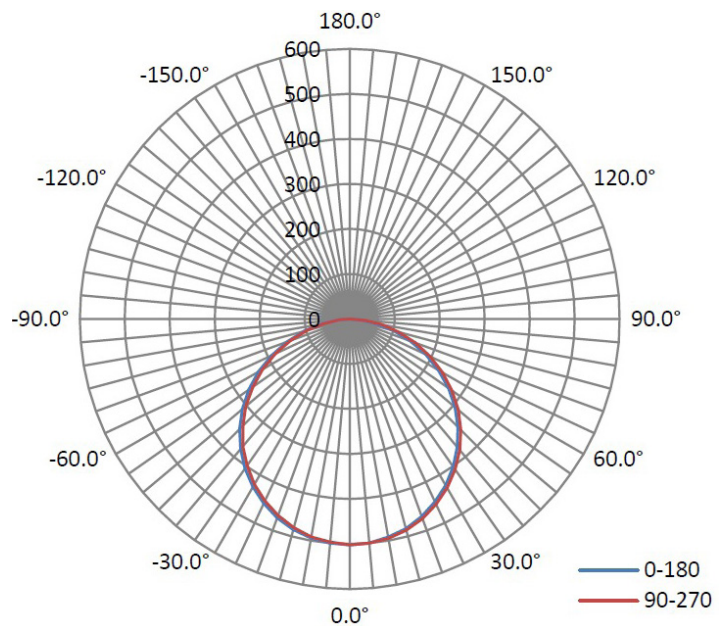
## CCT SELECTABLE

### POLAR PLOTS

SMD5/RND/11/CTS-46



SMD5/RND/17/CTS-46



c

### NOTES

<sup>1</sup>Dimming- This product is designed to be compatible with most leading-edge type incandescent and LED style dimmers. (Dimming range 100% down to 10%). Product performance may vary depending on dimmer manufacturer and circuit loading. Contact your local Southwire representative for a list of compatible dimmers.

This device complies with Part 15 of the FCC Rules. Operation is subject to the following two conditions: (1) this device may not cause harmful interference, and (2) this device must accept any interference received, including interference that may cause undesired operation.

FIVE (5) YEAR LIMITED WARRANTY: SOUTHWIRE COMPANY, LLC. For details visit: <https://southwire.com/resources/warranties>

Specifications are subject to change without prior notice. Replacement wattage shown depends on application and fixture.

**BUILT FOR DURABILITY.  
BUILT FOR RELIABILITY.  
BUILT FOR WORK.™**

800-666-2852 | SOUTHWIRE.COM

©2024 Southwire Company, LLC. All rights reserved.  
\*Registered Trademark & ™Trademark of Southwire Company, LLC.