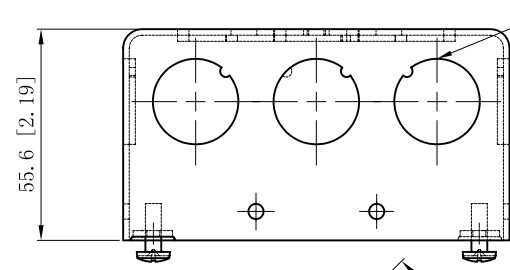
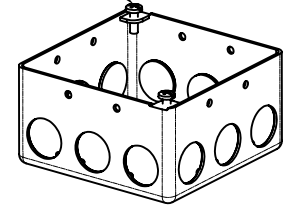


SIDES	BOTTOM
12 1/2" KNOCKOUTS	3 1/2" KNOCKOUTS
	2 3/4" KNOCKOUTS
2 PCS 8-32X1/2 Screws Installed	
Material:Steel-0.0625"-G60 Galvanized	



6 1/2" KNOCKOUTS $\phi=22.5[\phi=0.89]$

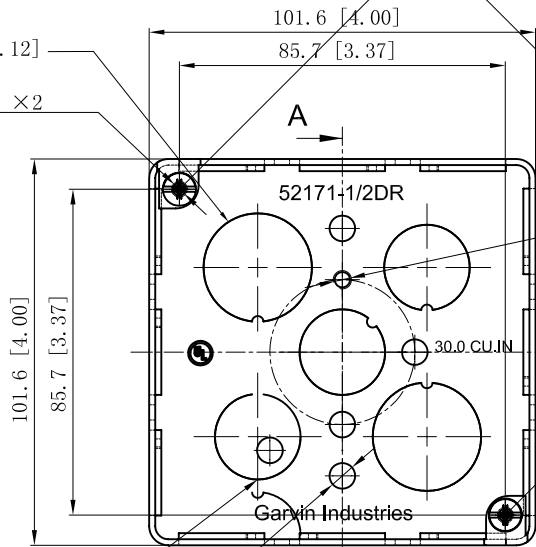
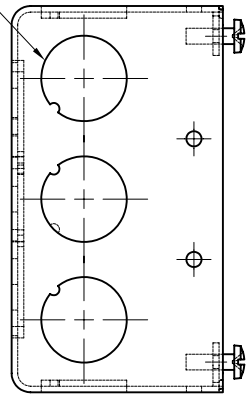
#8-32 UNC, X2



6 1/2" KNOCKOUTS $\phi=22.5[\phi=0.89]$

2 3/4" KNOCKOUTS $\phi=28.5[\phi=1.12]$

#8-32 UNC X2



121.2 [4.77]

#10-32 UNF

101.6 [4.00]

101.6 [4.00]

85.7 [3.37]

A

A

Garvin Industries

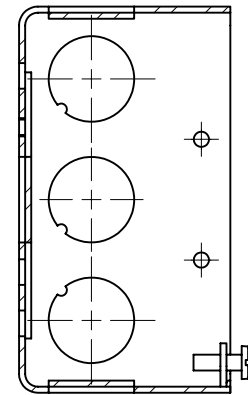
30.0 CU.IN

52171-1/2DR

101.6 [4.00]
85.7 [3.37]

3 1/2" KNOCKOUTS $\phi=22.5[\phi=0.89]$

5- $\phi 6.7[\phi 0.27]$ HOLE



CUTAWAY VIEW A-A

DESCRIPTION
TRADE REFERENCE TERMS

This data sheet is for reference only. GARVIN INDUSTRIES reserves the right to make changes to the design without prior notice.

STANDARD PACKING	TITLE		
	GARVIN INDUSTRIES		
25 PCS	4" SQUARE BOXES 2-1/8" DEEP		
	SIZE	DWG NO.	REV
	A4	52171-1/2DR	A
DATA SHEET			