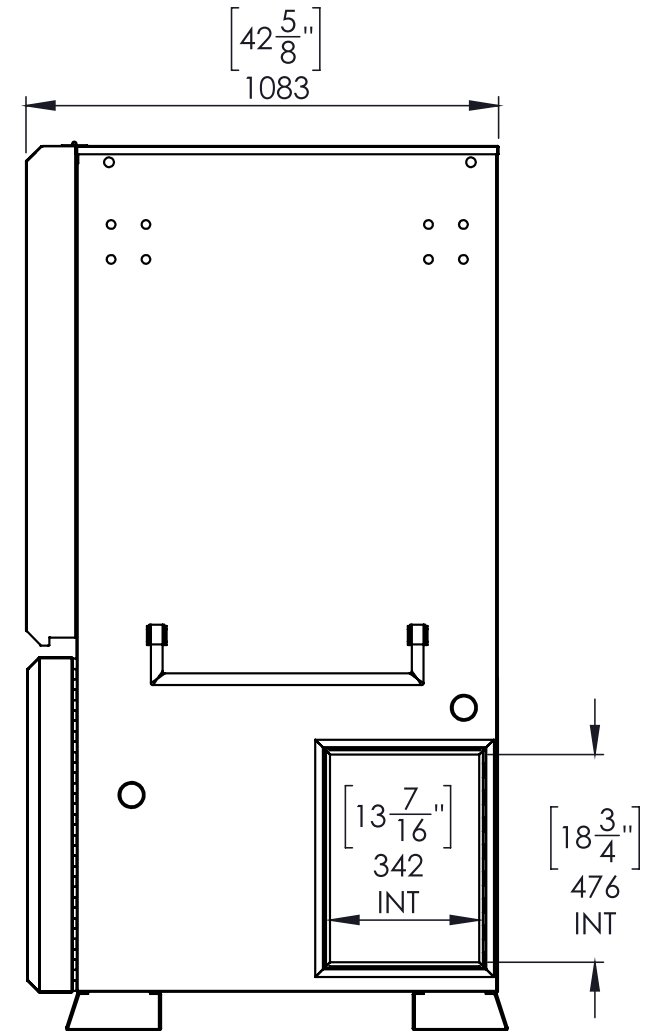
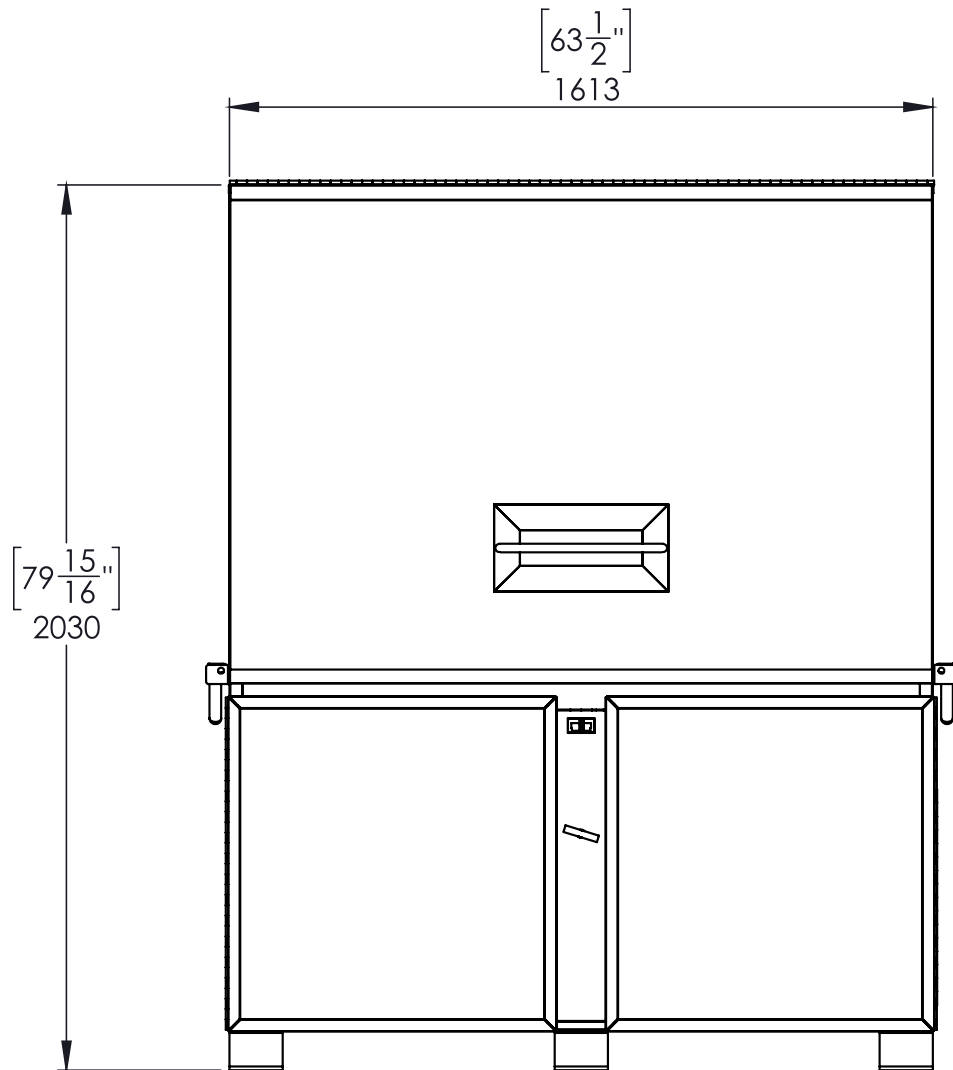


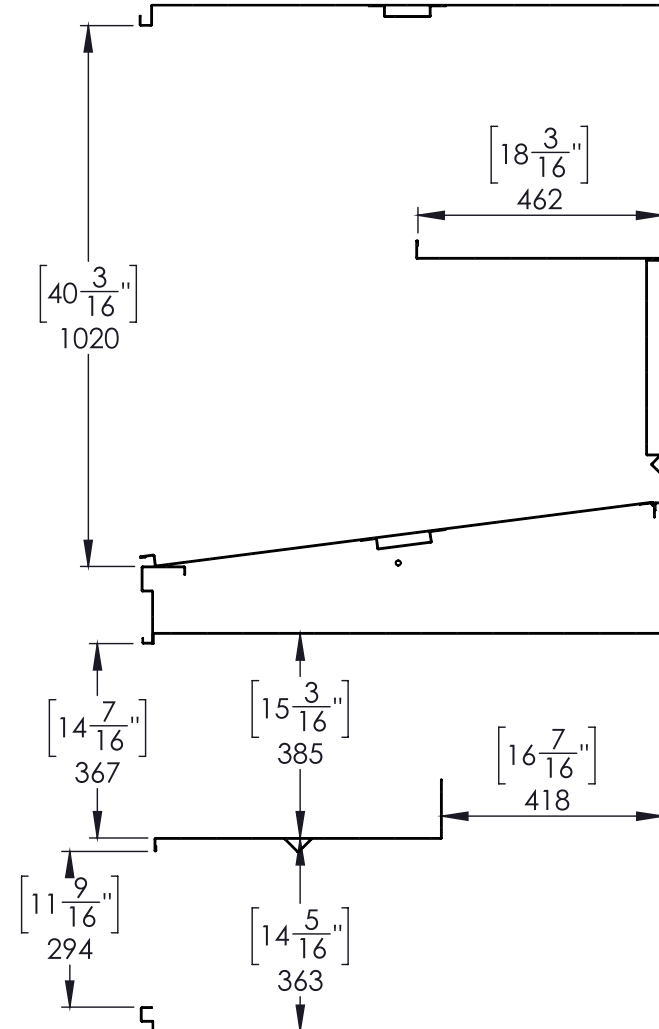
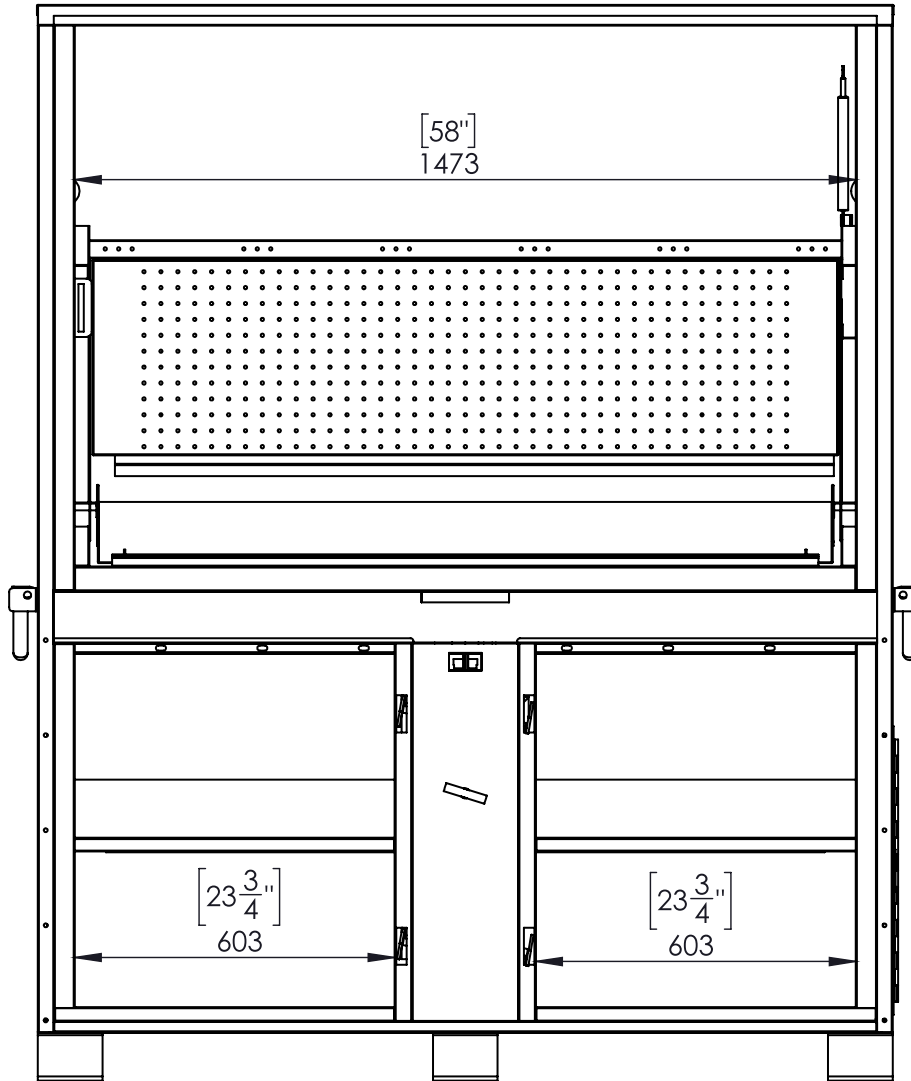
# FIELD OFFICE - F0604482 (59822501)

## OUTER DIMENSIONS

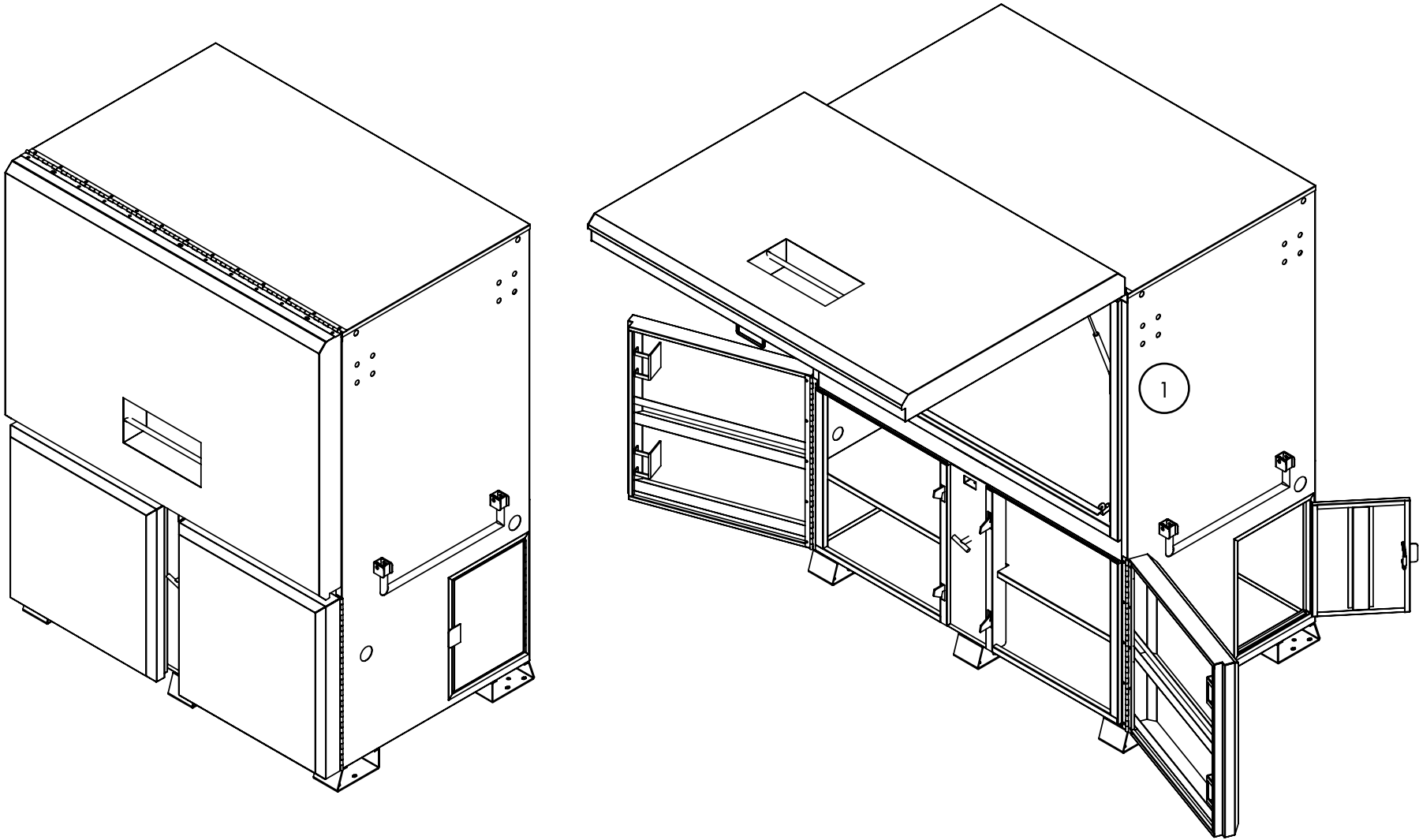


# FIELD OFFICE - F0604482 (59822501)

## INNER DIMENSIONS



# FIELD OFFICE - F0604482 (59822501)



779025 - Optional Caster Kit That Contains:

Item	Part No.	Description	Qty
1	66995340	Field Office Gas Shock	1
-	779008	6" Swivel Casters	2
-	779009	6" Rigid Casters	2