



Southwire™

DOUBLE GANG IN-USE COVERS

ADD 73 IN 1 EXTRA DUTY IN-USE COVER

FEATURES

- Includes 7 inserts
- 73 Installation combinations
- Lockable
- Includes attached gasket and mounting hardware
- Adapters included for duplex and GFCI
- Fast mounting screw attachment
- Compatible with full size padlocks
- Patent pending extra-duty hinge system

APPLICATIONS

- UL listed for wet locations
- Use when an outdoor outlet requires weatherproof protection for both residential and commercial applications

STANDARD MATERIAL

- High impact polycarbonate

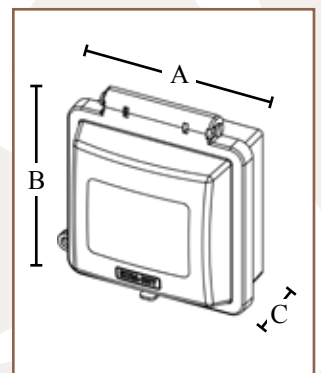
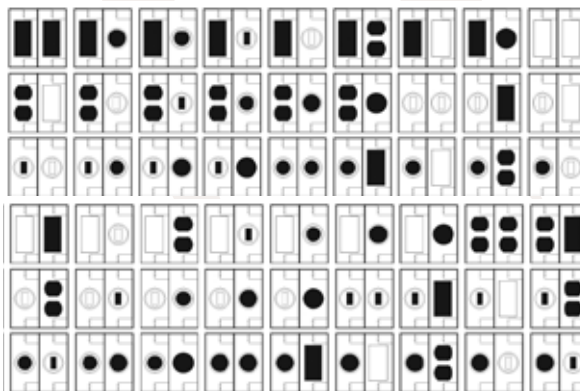


WCIU2SD



NEMA 3R Rated,
NEC 2014 compliant
[article 406.9 (A) & (B)(1) "extra duty"]
cULus-5FX8

Multiple combinations of
Duplex, GFCI, Decorator, Blank
Toggle, Large toggle,
1-1/4", 1-3/8", 1-9/16", 1-5/8",
1-11/16", 2-1/8", 2-1/4", 2-7/16"



PART #	MASTER QTY.	WEIGHT/ CASE (LBS.)	A	B	C DEPTH
WCIU2SD	6	35	6"	6"	3.10"

Rev. 0, 06/23

**BUILT FOR DURABILITY.
BUILT FOR RELIABILITY.
BUILT FOR WORK.™**

1-855-798-6657 | SOUTHWIRE.COM

©2023 Southwire Company, LLC. All rights reserved.
*Registered Trademark & ™Trademark of Southwire Company, LLC.