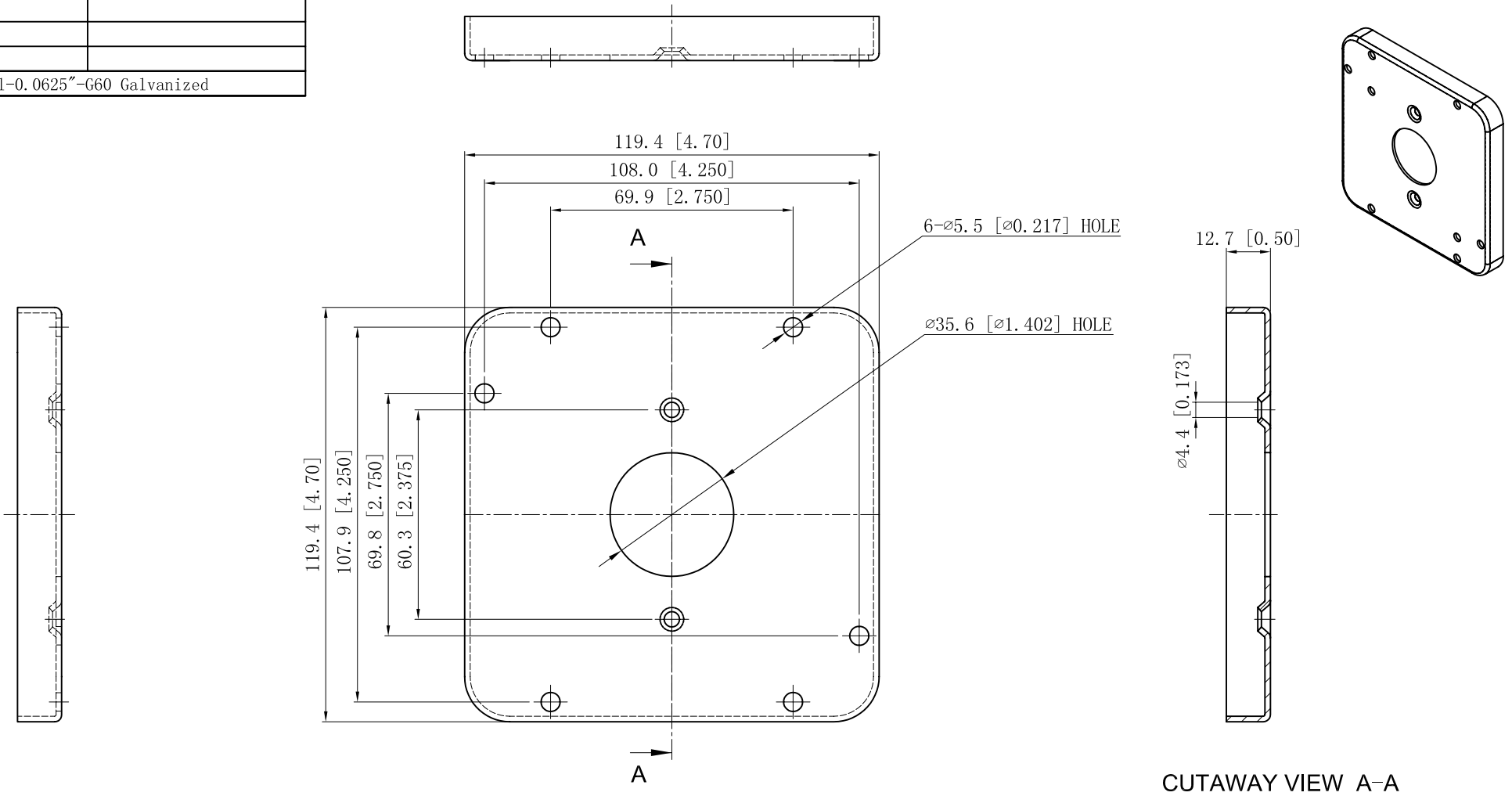


SIDES	BOTTOM
Material: Steel-0.0625"-G60 Galvanized	



CUTAWAY VIEW A-A

DESCRIPTION
TRADE REFERENCE TERMS

This data sheet is for reference only .GARVIN INDUSTRIES reserves the right to make changes to the design without prior notice.

STANDARD PACKING	<h1 style="margin: 0;">GARVIN INDUSTRIES</h1>		
50 PCS			
TITLE	4-11/16" INDUSTRIAL "GARVIN" COVERS		
SIZE	DWG NO.	REV	
A4	72C32	C	
DATA SHEET			