



Southwire™

ROD/WIRE HANGERS

CABLE/CONDUIT TO ROD/WIRE CLIPS

APPLICATION

Cable/conduit to rod/wire no-tool installation clips are easily installed to flanges, rods, or wire to support conduit or cables.

FEATURES

Supports EMT, rigid, aluminum and NM conduit
Spring Steel tightening feature keeps conduit and cables stable on rods or wire
Easy no-tool installation

MATERIAL/FINISH

Spring Steel/GEOSEAL™

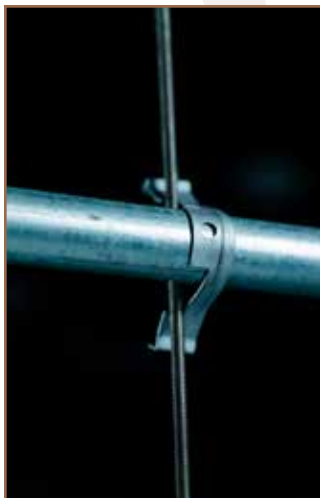
CERTIFICATIONS

UL Standard: UL 2239



K8TZ

K12TZ

K16TZ
K20TZ

Rev. 0, 03/23

**BUILT FOR DURABILITY.
BUILT FOR RELIABILITY.
BUILT FOR WORK.™**

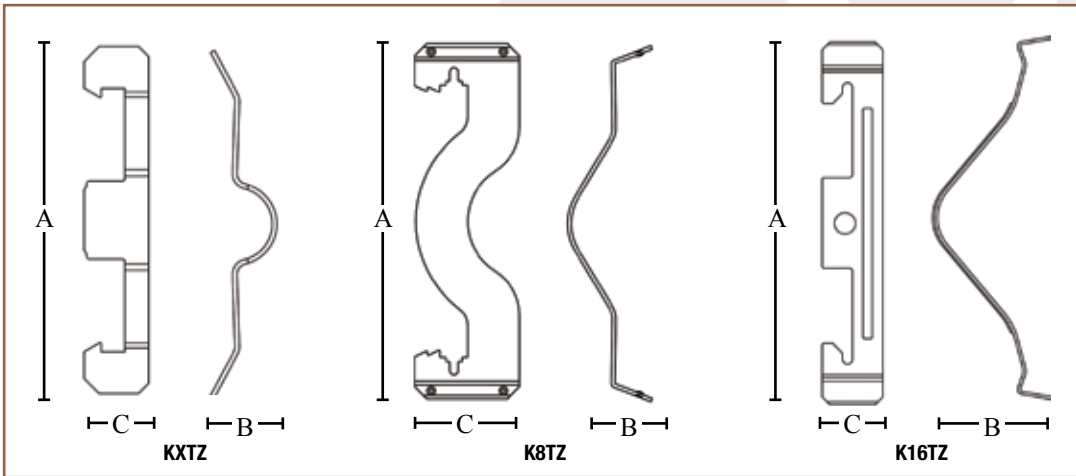
1-855-798-6657 | SOUTHWIRE.COM

©2023 Southwire Company, LLC. All rights reserved.
*Registered Trademark & ™Trademark of Southwire Company, LLC.



ROD/WIRE HANGERS

CABLE/CONDUIT TO ROD/WIRE CLIPS



**K16TZ
K20TZ**



PART #	LOAD CAPACITY (LBS.)			A	B	C	BOX QTY.
	VERTICAL WIRE	HORIZONTAL FLANGE	VERTICAL FLANGE				
KXTZ	---	---	---	2.71"	---	.504"	100
K8TZ	50	100	15	2.90"	---	.626"	100
K12TZ	50	100	15	4"	.839"	1"	100
K16TZ	50	100	15	4.53"	1.50"	.756"	100
K20TZ	50	100	22	5.59"	1.78"	.756"	100

CABLE DATA

CABLE SIZE	#12 WIRE	#8, #9, #10 WIRE
14-2, 14-3, 12-2	KXTZ	KXTZ
12-3	KXTZ	K8TZ

CONDUIT DATA

CONDUIT SIZE	#10, #12 WIRE	#8, #9 WIRE	3/16", 1/4" ROD	1/8" ~ 1/4" FLANGE	5/16" ~ 3/8" FLANGE	7/16" ~ 1/2" FLANGE
1/2" EMT	K8TZ	K8TZ	K8TZ	K8TZ	K12TZ	K12TZ
1/2" Rigid	K8TZ	K12TZ	K12TZ	K12TZ	K12TZ	K16TZ
3/4" EMT	K12TZ	K12TZ	K12TZ	K12TZ	K16TZ	K16TZ
3/4" Rigid	K12TZ	K12TZ	K16TZ	K16TZ	K20TZ	K20TZ
1" EMT	---	K16TZ	K16TZ	K16TZ	K20TZ	K20TZ
1" Rigid	---	---	---	K20TZ	K20TZ	K20TZ
1-1/4" EMT	---	K20TZ	K20TZ	K20TZ	---	---

Rev. 0, 03/23

**BUILT FOR DURABILITY.
BUILT FOR RELIABILITY.
BUILT FOR WORK.™**

1-855-798-6657 | SOUTHWIRE.COM

©2023 Southwire Company, LLC. All rights reserved.
*Registered Trademark & ™Trademark of Southwire Company, LLC.