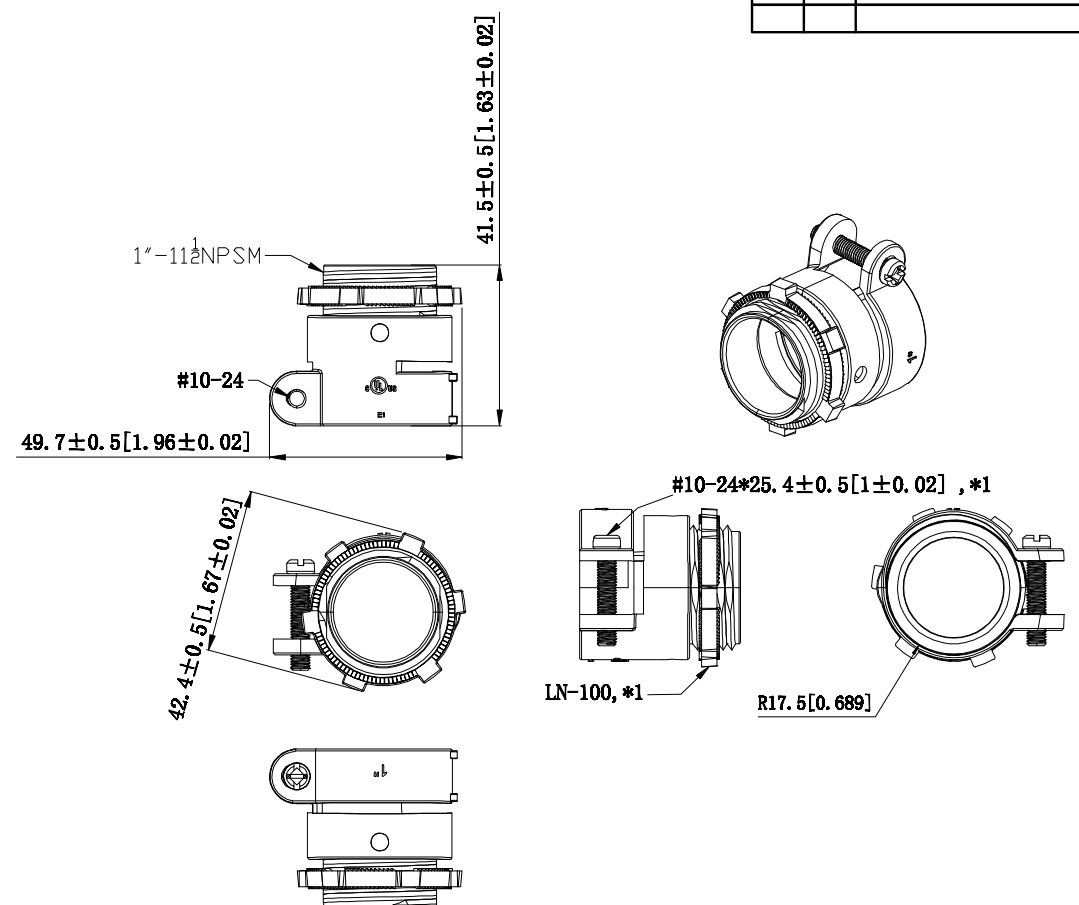


NO	P/N	Tooling	Working process	Description	REVISIONS			
1	SQZ-100				SYM.	BY.	REVISIONS	DATE
					A.			



NOTES:
 1.All dimensions in millimeters and [inches];
 2.Free of sharp edge and burrs.max burr0.5[0.0196].
 3.Material: #3 ZAMAK

THIRD ANGLE PROJECTION 	FINISH NO FINISH DIMENSIONS UNLESS SPECIFIED UNLESS NOTED OTHERWISE	UNLESS OTHERWISE SPECIFIED DIMENSIONS ARE IN MILLIMETERS UNLESS NOTED OTHERWISE X.X ± 0.05 [±0.001] X.XX ± 0.02 [±0.0008] X.XXX ± 0.002 [±0.00008]	NAME DATE 2014.01.08	GARVIN INDUSTRIES	
	APPROVED (M) #3 ZAMAK	APPROVED (Customer)	TITLE ELECTRICAL TRADE WASHERS	SIZE A4	DWG NO. SQZ-100
		THIS DRAWING IS THE PROPERTY OF GARVIN INDUSTRIES AND IS LOANED TO YOU FOR YOUR USE ONLY. IT IS NOT TO BE REPRODUCED OR TRANSMITTED IN ANY FORM OR BY ANY MEANS, ELECTRONIC OR MECHANICAL, INCLUDING PHOTOCOPYING, RECORDING, OR BY ANY INFORMATION STORAGE AND RETRIEVAL SYSTEM.	SCALE: 1:1	PRINT DATE	SHEET 1 OF 1