



Southwire™

CLIPS

MULTI-PURPOSE SUPPORT CLIP

APPLICATION

Attaches to flanges to provide an anchor for bridle rings and other hardware.

FEATURES

- Hammer-on attachment
- Fits flanges from 1/8" to 1/2"
- Accommodates 1/4"-20 or #10-24 threaded bridle rings

MATERIAL/FINISH

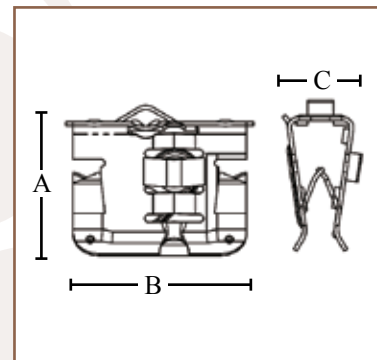
Spring Steel/GEOSEAL™

CERTIFICATIONS

UL Standard: UL 2239



2FMP28TZ



PART #	A	B	C	BOX QTY.
2FMP28TZ	1.44	1.62	.618	100

Rev. 0, 03/23

**BUILT FOR DURABILITY.
BUILT FOR RELIABILITY.
BUILT FOR WORK.™**

1-855-798-6657 | SOUTHWIRE.COM

©2023 Southwire Company, LLC. All rights reserved.
*Registered Trademark & ™Trademark of Southwire Company, LLC.