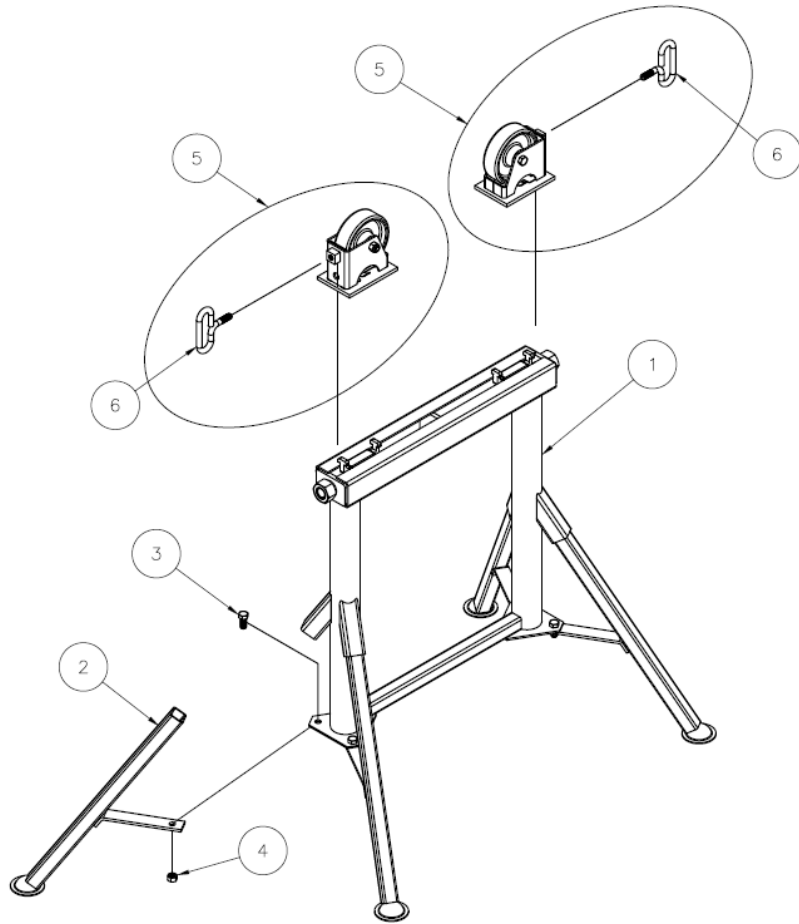


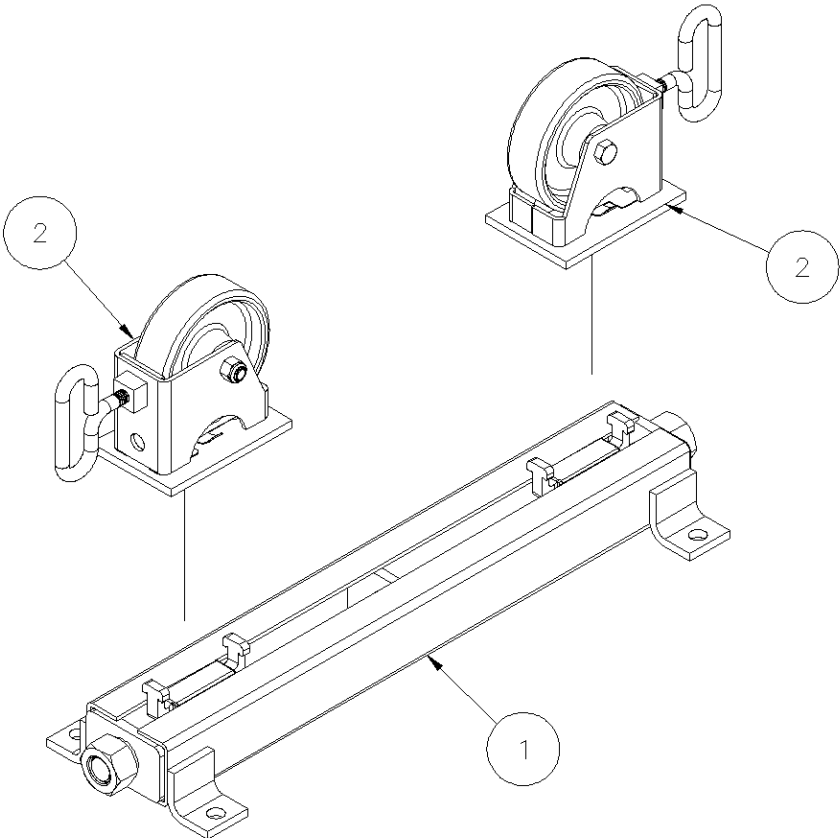
ADJUST-A-ROLL™ HI AND LO



Item	Part No.	Description	Qty
1	780433-KD	TUBE & BARREL WELDMENT (LO ROLL)	1
1	780436-KD	TUBE & BARREL WELDMENT (HI ROLL)	1
2	780675-KD	LEG WELDMENT, KNOCK DOWN JACK	4
3	771106	SCREW, HHC 3/8-16 X 7/8"	4
4	772355	NUT, INSERT LOCK 3/8-16	4
5	783151	Q.C.ROLL HSG W/RLR WHL (1 PR)	*
5	783152	Q.C.ROLL HSG W/RUB WHL (1 PR)	*
5	783153	Q.C.ROLL HSG W/"SS" WHL (1 PR)	*
5	783154	Q.C.BALL-TRANSFER HEAD (1 PR)	*
5	783155	QUICK CHANGE BARSTOCK HEAD	*
5	783159	SS BALL TRANSFER HEAD (2)	*
6	780552	SET SCREW C-110W (ONLY APPLY TO Q.C. HSG)	*

*The numbers in the Quantity column DO NOT represent how many items are included in a single order of a part, but rather they are to denote the total quantity of that part that is used on the current assembly. Unless otherwise stated in the description you should assume that only one of each part will be included per part number.

TABLE ADJUST-A-ROLL™



Item	Part No.	Description	Qty
1	780500	AAR TABLE MDL Q.C.L/WHL HSG	1
2	783151	Q.C.ROLL HSG W/RLR WHL (1 PR)	1
2	783152	Q.C.ROLL HSG W/RUB WHL (1 PR)	*
2	783153	Q.C.ROLL HSG W/"SS" WHL (1 PR)	*
2	783154	Q.C.BALL-TRANSFER HEAD (1 PR)	*
2	783155	QUICK CHANGE BARSTOCK HEAD	*
2	783159	SS BALL TRANSFER HEAD (2)	*

*The numbers in the Quantity column DO NOT represent how many items are included in a single order of a part, but rather they are to denote the total quantity of that part that is used on the current assembly. Unless otherwise stated in the description you should assume that only one of each part will be included per part number.