



# Southwire™

## ROD/WIRE HANGERS

# CABLE/CONDUIT TO ROD/WIRE CLIP

### APPLICATION

Cable/conduit to rod/wire clips easily install to flanges or rods to support conduit, cables and boxes. Equipped with a rotatable joint, the conduit clip rotates 360° to position conduit in different directions.

### FEATURES

Clip rotates 360° for conduit positioning  
Flange clip provides stability to the conduit clip  
Easy no-tool installation

### MATERIAL/FINISH

Spring Steel/GEOSEAL™

### CERTIFICATIONS

UL Standard: UL 2239



4Z3412PTZ

4Z346MTZ



Rev. 0, 03/23

**BUILT FOR DURABILITY.  
BUILT FOR RELIABILITY.  
BUILT FOR WORK.™**

1-855-798-6657 | SOUTHWIRE.COM

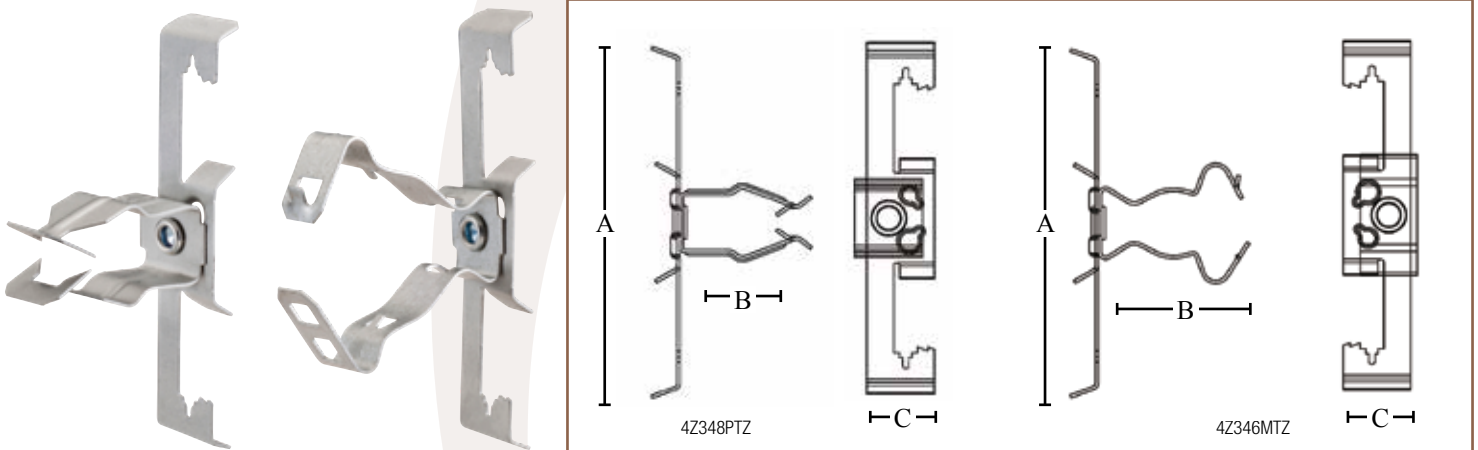
©2023 Southwire Company, LLC. All rights reserved.  
\*Registered Trademark & ™Trademark of Southwire Company, LLC.



# Southwire™

## ROD/WIRE HANGERS

# CABLE/CONDUIT TO ROD/WIRE CLIP



PART #	FLANGE THICKNESS	FASTENER TYPE	MC/AC CABLE SIZE	EMT SIZE	RIGID SIZE	ROD SIZE	WIRE SIZE	A	B	C	BOX QTY.
4Z348PTZ	1/8" – 3/8"	PUSH-IN	---	1/2"	---	1/4"	#12	3.87"	1.57"	.748"	100
4Z3412PTZ	1/8" – 3/8"	PUSH-IN	---	3/4"	1/2"	1/4"	#12	3.87"	1.67"	.748"	100
4Z3416PTZ	1/8" – 3/8"	PUSH-IN	---	1"	3/4"	1/4"	#12	3.87"	1.95"	.748"	100
6Z348PTZ	3/8" – 7/16"	PUSH-IN	---	1/2"	---	3/8"	---	3.62"	1.46"	.748"	100
6Z3412PTZ	3/8" – 7/16"	PUSH-IN	---	3/4"	1/2"	3/8"	---	3.62"	1.67"	.748"	100
6Z3416PTZ	3/8" – 7/16"	PUSH-IN	---	1"	3/4"	3/8"	---	3.62"	1.95"	.748"	100
4Z346MTZ	1/8" – 3/8"	SNAP-CLOSE	14-2 –12-3	---	---	1/4"	#12	3.87"	1.68"	.748"	100
4Z3416MTZ	1/8" – 3/8"	SNAP-CLOSE	---	1"	1"	1/4"	#12	3.87"	2.52"	.748"	100
4Z34812MTZ	1/8" – 3/8"	SNAP-CLOSE	---	1/2" & 3/4"	1/2" & 3/4"	1/4"	-	3.87"	2.05"	.748"	100
6Z3416MTZ	3/8" – 7/16"	SNAP-CLOSE	---	1"	1"	3/8"	#12	3.62"	2.52"	.748"	100
6Z34812MTZ	3/8" – 7/16"	SNAP-CLOSE	---	1/2" & 3/4"	1/2" & 3/4"	3/8"	---	3.62'	2.05"	.748"	100

Rev. 0, 03/23

**BUILT FOR DURABILITY.  
BUILT FOR RELIABILITY.  
BUILT FOR WORK.™**

1-855-798-6657 | SOUTHWIRE.COM

©2023 Southwire Company, LLC. All rights reserved.  
\*Registered Trademark & ™Trademark of Southwire Company, LLC.