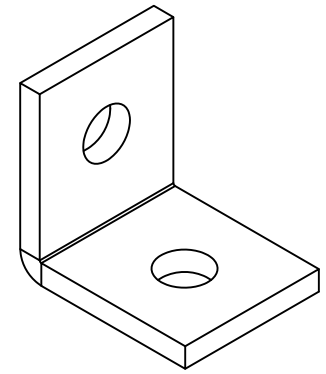
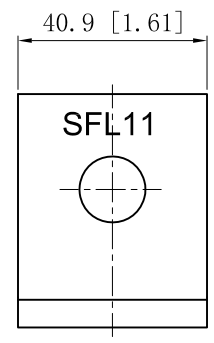
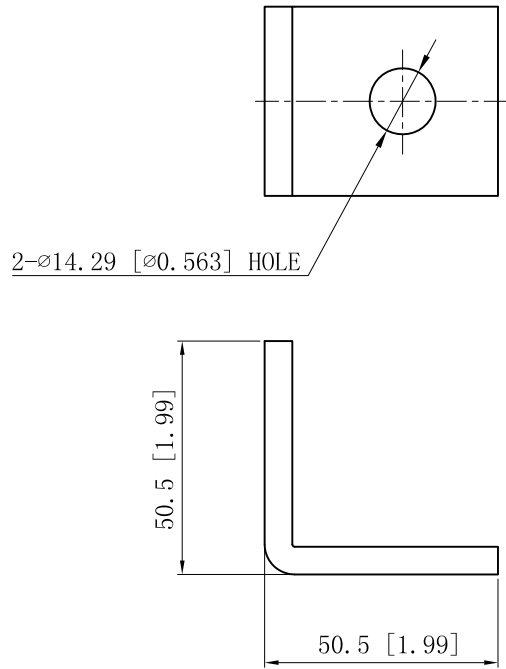


SIDES	BOTTOM
Material: Steel-0.236"- H.R.S, Zinc plated	



This data sheet is for reference only .GARVIN INDUSTRIES reserves the right to make changes to the design without prior notice.

DESCRIPTION
TRADE REFERENCE TERMS

STANDARD PACKING
50 PCS

GARVIN INDUSTRIES		
TITLE TWO-HOLE CORNER ANGLE		
SIZE A4	DWG NO. SFL11	REV
DATA SHEET		