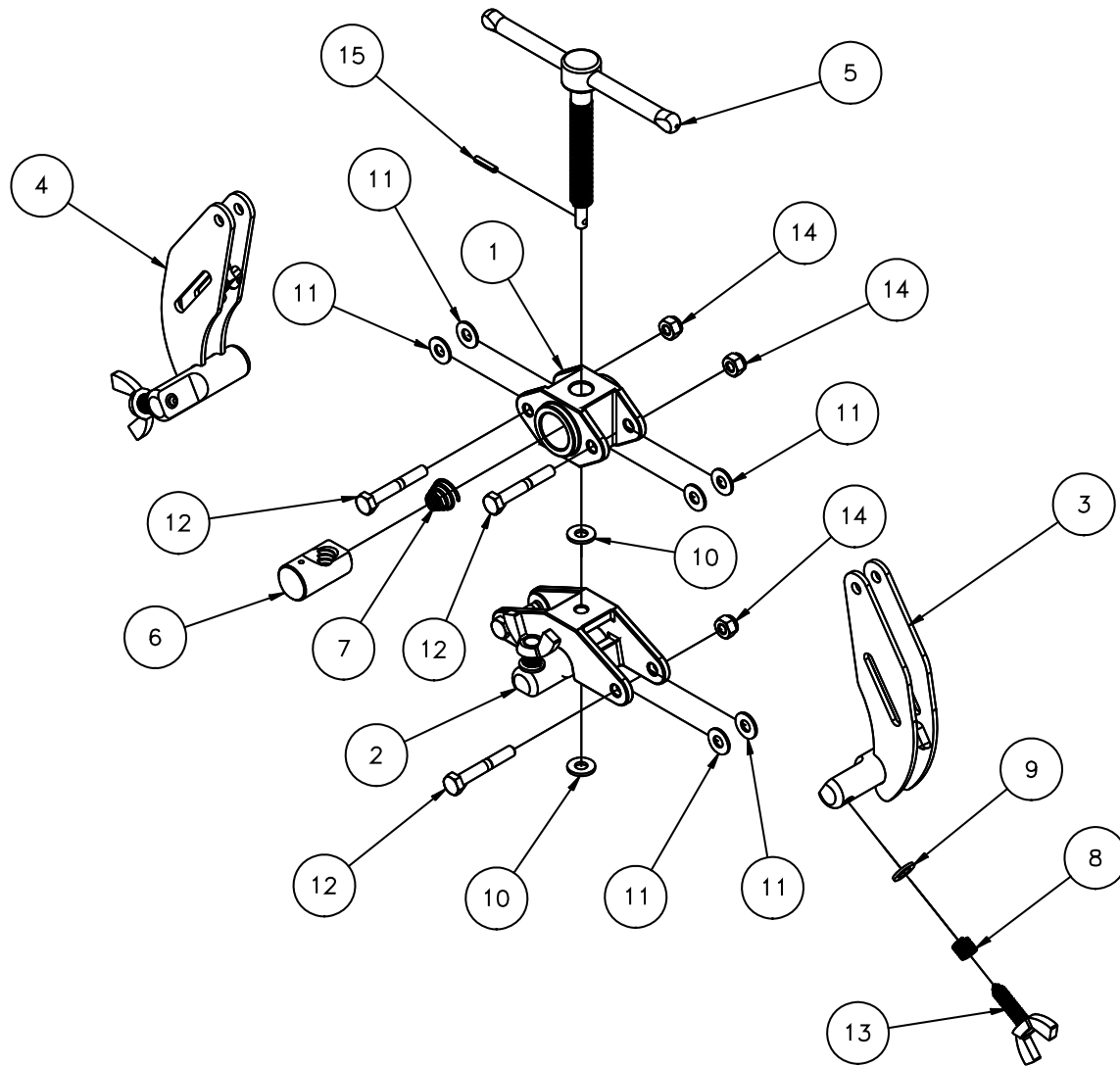
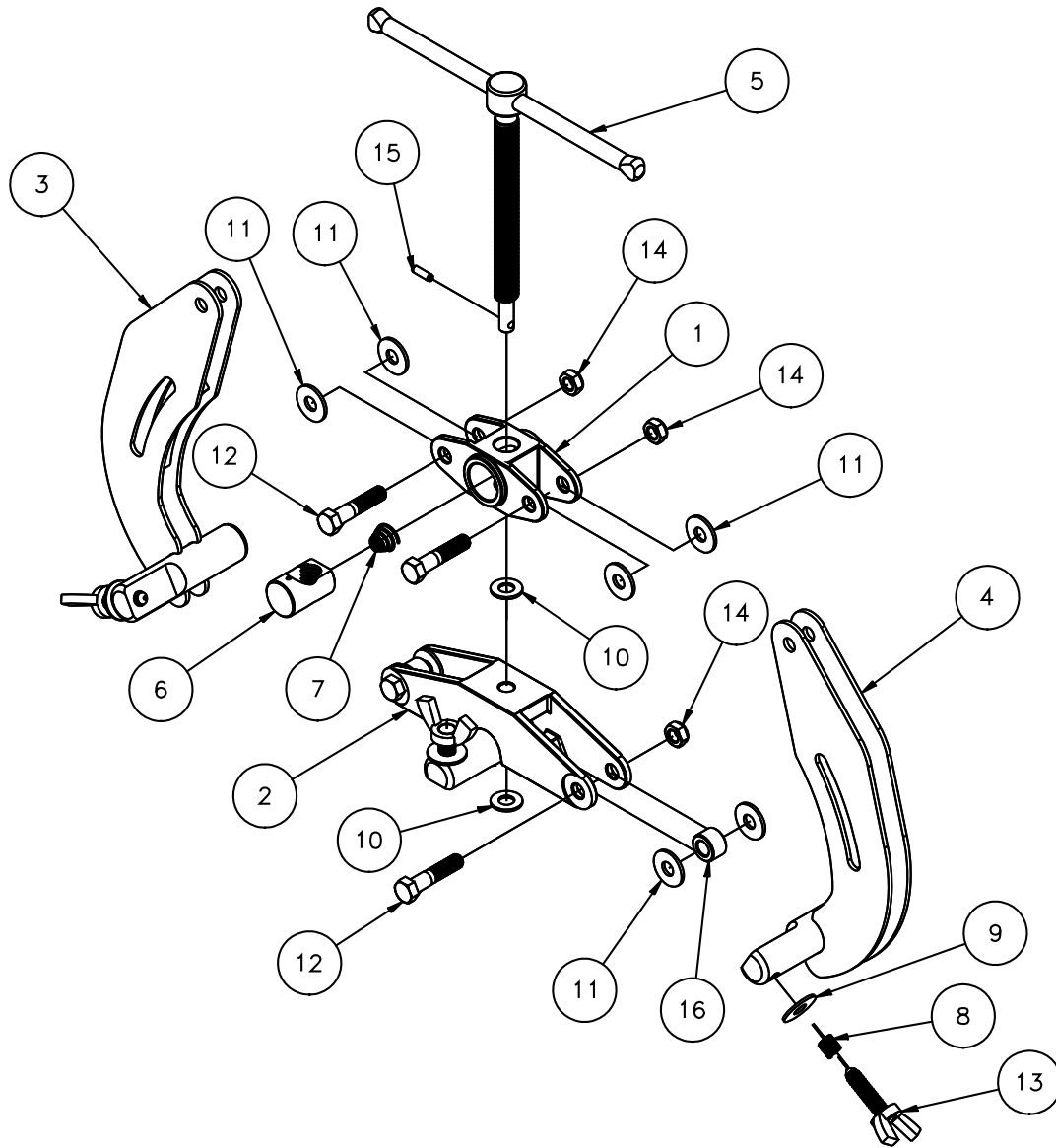


ULTRA QWIK™ CLAMP 2-1/2" (781510)



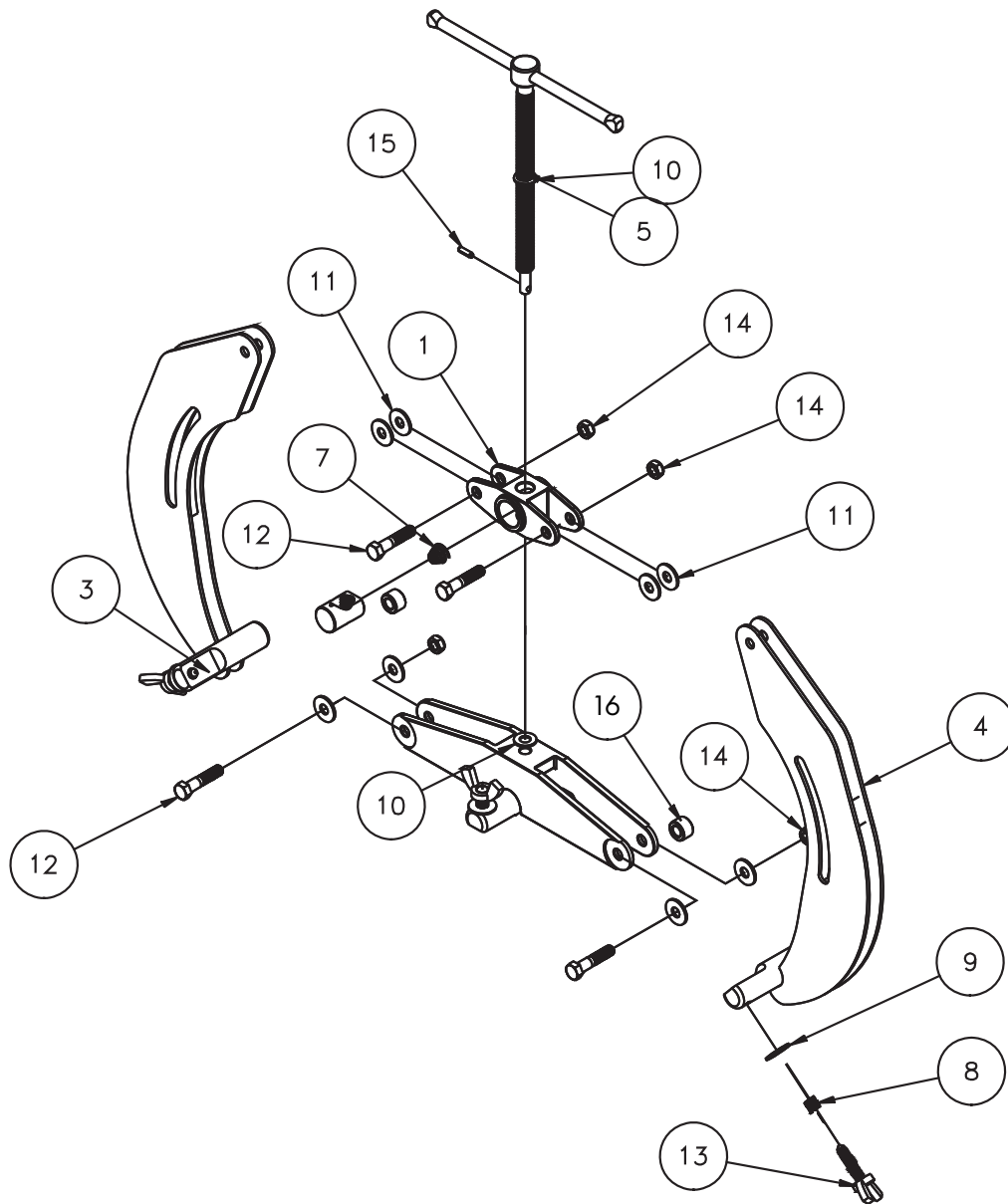
Item	Part No.	Description	Qty
1	783030	HEADER 2-1/2" UQC, MACHINED	1
2	781347	RAM WELDMENT 2-1/2" ULTRA CLAMP	1
3	781348	CLAW WELDMENT, RIGHT 2-1/2"	1
4	781349	CLAW WELDMENT, LEFT 2-1/2"	1
5	781515	T-HANDLE ASSY 2-1/2" UQC	1
6	781518	PLUNGER, QWIK 2-1/2" UQC	1
7	775252	SPRING TAPERED .75 X .391 X .560	1
8	776066	SPRING, "SS" FOR UC 2-1/2"	3
9	773016	WASHER, FLAT 5/16 TYPE B NARROW	3
10	773021	WASHER, FLAT 1/4 HARDENED	2
11	773024	WASHER, FLAT 1/4 BRASS	8
12	771029	SCREW, HHC 1/4 - 20 X 1-3/4	4
13	781147	WING SCREW, SS FOR 2-1/2" UC	3
14	772076	NUT, INSERT LOCK 1/4 - 20	4
15	774092	PIN, SPRING LOCK 1/8 X 5/8	1

ULTRA QWIK™ CLAMP 2"- 6" (781520)



Item	Part No.	Description	Qty
1	783031	HEADER 2 - 6" UQC, MACHINED	1
2	781351	RAM WELDMENT 2 - 6" ULTRA CLAMP	1
3	781521	CLAW WELDMENT, LEFT 2 - 6"	1
4	781522	CLAW WELDMENT, RIGHT 2 - 6"	1
5	781525	T-HANDLE ASSY 2 - 6" UQC	1
6	785009	PLUNGER, HOLD-E*	1
7	775252	SPRING TAPERED .750 X .391 X .560	1
8	776067	SPRING, SS FOR UC 6 & 12"	3
9	773017	WASHER, FLAT 3/8 TYPE B NARROW	3
10	773022	WASHER, FLAT 3/8 HARDENED	2
11	773023	WASHER, FLAT 3/8 BRASS	8
12	771100	SCREW, HHC 3/8 - 16 X 1-3/4	4
13	781167	WING SCREW, SS FOR 6 & 12" UC	3
14	772350	NUT, INSERT LOCK 3/8 - 16	4
15	774096	PIN, ROLL 3/16 X 5/8	1
16	781281	ROLLER, ULTRA CLAMP	2

ULTRA QWIK™ CLAMP 5"- 12" (781530)



Item	Part No.	Description	Qty
1	783032	HEADER 5 - 12" UQC, MACHINED	1
2	781357	RAM WELDMENT 5 - 12" ULTRA CLAMP	1
3	781531	CLAW WELDMENT, LEFT 5 - 12"	1
4	781532	CLAW WELDMENT, RIGHT 5 - 12"	1
5	781535	T-HANDLE ASSY 5 - 12" UQC	1
6	785009	PLUNGER, HOLD-E*	1
7	775252	SPRING TAPERED .750 X .285 X .560	1
8	776067	SPRING, SS FOR UC 6 & 12"	3
9	773017	WASHER, FLAT 3/8 TYPE B NARROW	3
10	773022	WASHER, FLAT 3/8 HARDENED	2
11	773023	WASHER, FLAT 3/8 BRASS	8
12	771100	SCREW, HHC 3/8 - 16 X 1-3/4	4
13	781167	WING SCREW, SS FOR 6 & 12" UC	3
14	772350	NUT, INSERT LOCK 3/8 - 16	4
15	774096	PIN, ROLL 3/16 X 5/8	1
16	781281	ROLLER, ULTRA CLAMP	2