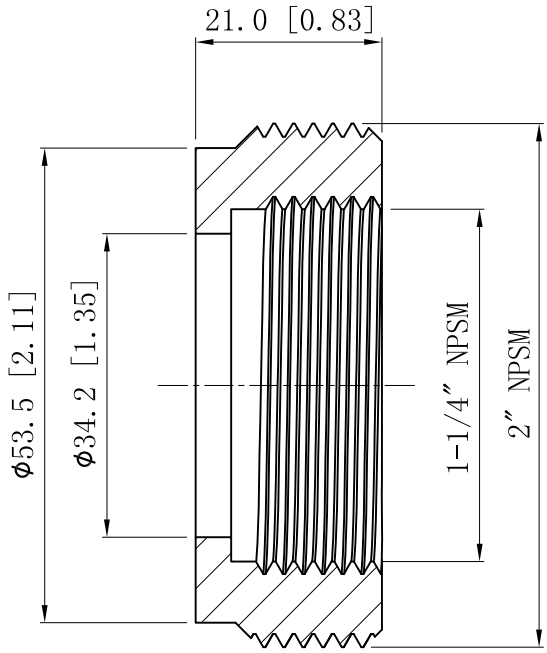
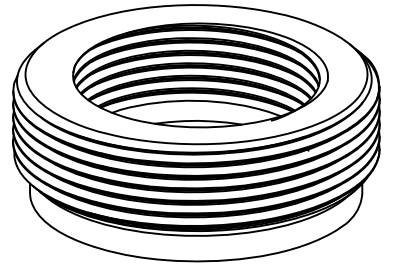
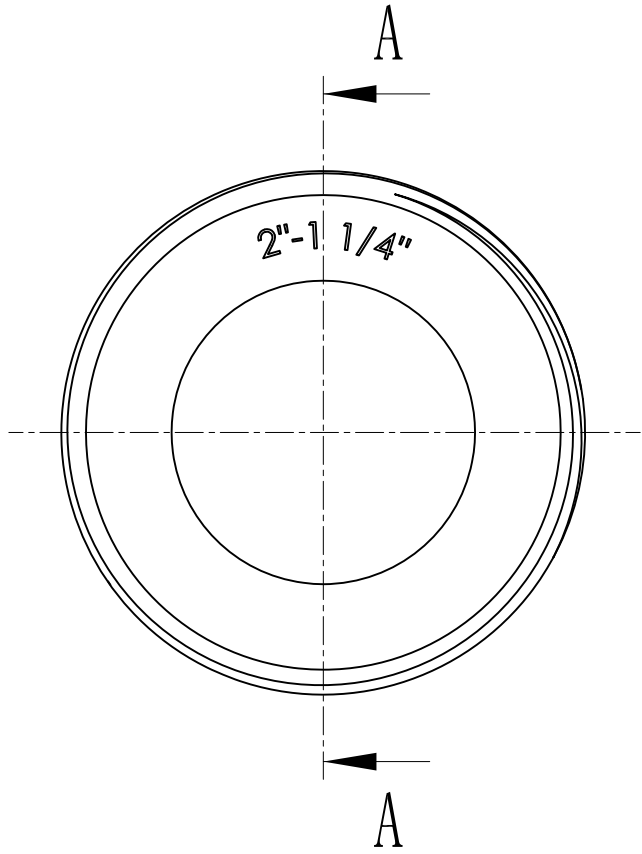


SIDES	BOTTOM
Material:Steel-316 Stainless steel	



CUTAWAY VIEW A-A



This data sheet is for reference only .GARVIN INDUSTRIES reserves the right to make changes to the design without prior notice.

DESCRIPTION
TRADE REFERENCE TERMS

STANDARD PACKING
5 PCS

GARVIN INDUSTRIES			
TITLE STEEL REDUCING BUSHING			
SIZE A4	DWG NO.	RB-200125-SS	REV A
DATA SHEET			