



# Southwire™

## BEAM ATTACHMENT

# PUSH-CLOSE CONDUIT TO FLANGE CLIP

### APPLICATION

Conduit flange mount clips support EMT and rigid conduit from beams. Equipped with a rotatable joint, the conduit clip rotates 360° to position conduit in different directions.

### FEATURES

- Hammer-on installation
- Conduit clip pivots 360°
- Secures EMT, rigid and aluminum conduit to beams

### MATERIAL/FINISH

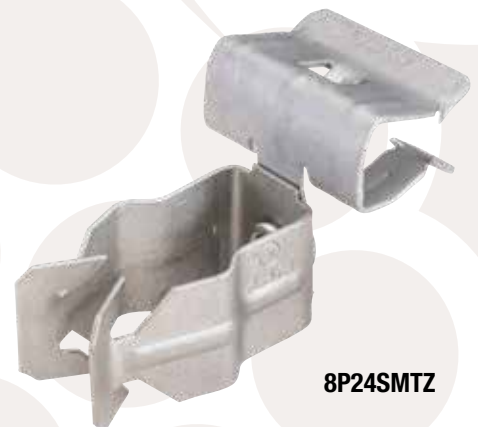
Spring Steel/GEOSEAL™

### CERTIFICATIONS

UL Standard: UL 2239



12P58TZ



8P24SMTZ



Rev. 0, 03/23

**BUILT FOR DURABILITY.  
BUILT FOR RELIABILITY.  
BUILT FOR WORK.™**

1-855-798-6657 | SOUTHWIRE.COM

©2023 Southwire Company, LLC. All rights reserved.  
\*Registered Trademark & ™Trademark of Southwire Company, LLC.



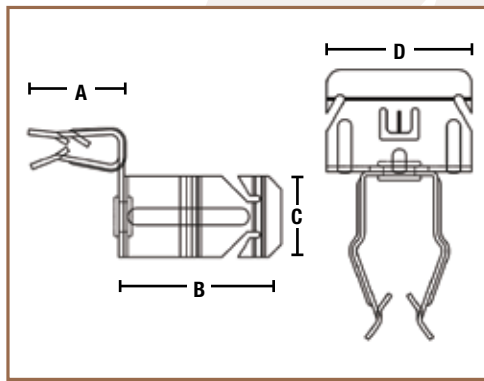
# Southwire™

## BEAM ATTACHMENT

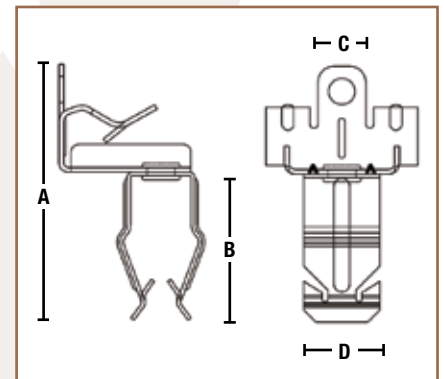
# PUSH-CLOSE CONDUIT TO FLANGE CLIP



8P24SMTZ



12P58TZ



PART #	FLANGE THICKNESS	MOUNTING OPTION	EMT SIZE	RIGID SIZE	STATIC LOAD (LBS.)	A	B	C	D	BOX QTY.
8P24SMTZ	1/8" – 1/4"	Side	1/2"	---	15	.886"	1.46"	.748"	1.26"	100
8P58SMTZ	5/16" – 1/2"	Side	1/2"	---	15	.886"	1.46"	.748"	1.26"	100
8P912SMTZ	9/16" – 3/4"	Side	1/2"	---	15	.886"	1.46"	.748"	1.26"	100
12P24SMTZ	1/8" – 1/4"	Side	3/4"	1/2"	15	.886"	1.67"	.748"	1.26"	100
12P58SMTZ	5/16" – 1/2"	Side	3/4"	1/2"	15	.886"	1.67"	.748"	1.26"	100
12P912SMTZ	9/16" – 3/4"	Side	3/4"	1/2"	15	.886"	1.67"	.748"	1.26"	100
16P24SMTZ	1/8" – 1/4"	Side	1"	3/4"	15	.886"	2.37"	.63"	1.26"	100
16P58SMTZ	5/16" – 1/2"	Side	1"	3/4"	15	.886"	2.37"	.63"	1.26"	100
16P912SMTZ	9/16" – 3/4"	Side	1"	3/4"	15	.886"	2.37"	.63"	1.26"	100
8P24TZ	1/8" – 1/4"	Bottom	1/2"	---	25	2.52"	1.46"	1.50"	.748"	100
8P58TZ	5/16" – 1/2"	Bottom	1/2"	---	25	2.75"	1.46"	1.50"	.748"	100
8P912TZ	9/16" – 3/4"	Bottom	1/2"	---	25	3.09"	1.46"	1.50"	.748"	50
12P24TZ	1/8" – 1/4"	Bottom	3/4"	3/4"	25	2.73"	1.67"	1.50"	.748"	100
12P58TZ	5/16" – 1/2"	Bottom	3/4"	3/4"	25	2.96"	1.67"	1.50"	.748"	100
12P912TZ	9/16" – 3/4"	Bottom	3/4"	3/4"	25	3.30"	1.67"	1.50"	.748"	100
16P24TZ	1/8" – 1/4"	Bottom	1"	1"	25	3.01"	1.95"	1.50"	.748"	100
16P58TZ	5/16" – 1/2"	Bottom	1"	1"	25	3.24"	1.95"	1.50"	.748"	100
16P912TZ	9/16" – 3/4"	Bottom	1"	1"	25	3.58"	1.95"	1.50"	.748"	100

Rev. 0, 03/23

**BUILT FOR DURABILITY.  
BUILT FOR RELIABILITY.  
BUILT FOR WORK.™**

1-855-798-6657 | SOUTHWIRE.COM

©2023 Southwire Company, LLC. All rights reserved.  
\*Registered Trademark & ™Trademark of Southwire Company, LLC.