



Southwire™

FS AND FD CAST DEVICE SINGLE GANG BOXES

DUAL HUB - HEAVY DUTY - HOT DIP GALVANIZED

FEATURES

- Suitable for use in concrete
- Tapered threaded hubs-NPT
- Internal grounding screw
- Suitable for wet locations when used with cover and neoprene gasket

APPLICATIONS

- For use in areas where boxes are exposed to harsh locations
- Provides opening for making splices
- Serves as a pull box for conductors
- Allows connection for branch conduit runs

STANDARD MATERIAL

- Malleable iron

STANDARD FINISH

- Hot dip galvanized

CERTIFICATIONS

- UL Standard: UL 514A
- Fed. Spec: Fed. Spec. A-A-50563
- CSA C22.2 No. 18.3
- NEMA: FB 1

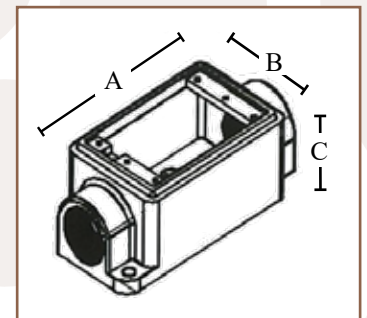


FSC1MHDG



Conforms to finish thickness
ASTM A123/123M

PART #	SIZE	MASTER QTY.	WEIGHT/ CASE (LBS.)	A	B	C
FSC TYPE						
FSC1MHDG	1/2"	10	26	6.08"	2.94"	2.20"
FSC2MHDG	3/4"	10	26	6.08"	2.94"	2.20"
FSC3MHDG	1"	10	26	6.08"	2.94"	2.20"
FDC TYPE - DEEP						
FDC1MHDG	1/2"	10	31	6.11"	2.97"	2.90"
FDC2MHDG	3/4"	10	31	6.11"	2.97"	2.90"
FDC3MHDG	1"	10	32	6.11"	2.97"	2.90"



Rev. 0, 05/23

**BUILT FOR DURABILITY.
BUILT FOR RELIABILITY.
BUILT FOR WORK.™**

1-855-798-6657 | SOUTHWIRE.COM

©2023 Southwire Company, LLC. All rights reserved.
*Registered Trademark & ™Trademark of Southwire Company, LLC.