



Southwire™

15A RIGHT ANGLE CORD SETS (SINGLE RECEPTACLE)

Shockshield right angle GFCI ensures protection from dangerous current leakage that can cause electrical shock and possible electrocution.



GFCI WITH 4-6MA TRIP POINT

25MS TRIP RESPONSE TIME

MANUAL RESET

**PROVIDES COMPLIANCE WITH
NEC 2008 ARTICLE 590.6 FOR
TEMPORARY INSTALLATIONS**

**CUSTOM CABLE GAUGES, LENGTHS
AND TERMINATIONS AVAILABLE BY
SPECIAL ORDER**

**APPLICATIONS: PLANT
MAINTENANCE, EQUIPMENT
SERVICE AND CONSTRUCTION SITES**



14880024-3

APPLICATIONS
High Pressure
Sprayer Washers
Power Tools
Drain Snakes
Pumps
Construction Sites
Industrial Appliances
Saws and Drills
Portable Electric Power Tools
Multiple Tools

MODEL #	ELECTRICAL RATING			CORD LENGTH	CORD GAUGE	WIRE TYPE	COLOR	RECEPTACLE COUNT	LIGHTED RECEPTACLE
14880024-3	120V	15A	60Hz	6'	14/3 AWG	SJTW	YELLOW	SINGLE	NO
14880074-2	120V	15A	60Hz	25'	14/3 AWG	SJTW	YELLOW	SINGLE	NO
14880122-1	120V	15A	60Hz	50'	14/3 AWG	SJTW	YELLOW	SINGLE	NO

TECHNICAL DATA	
GROUNDING NEUTRAL	4 Ohms Typical
VOLTAGE SURGE WITHSTAND	3 Kv Ringwave Test and 4Kv/2Ka Surge Immunity Testw/b
RADIO FREQUENCY NOISE SUSCEPTABILITY	Operates Within Normal Limits With 0.5 Volts Injected On Power Line 150Khz-230Mhz
ENDURANCE	3,000 Operations Minimum
OVERLOAD CURRENT	Six Times Rated Current
OPERATING TEMPERATURE RANGE	-35°C to 66°C
EFFECT OF 10 AMP TURN DC SOCK FAULT TRIP	5% Maximum Trip Level Variation on Ground
INSULATION VOLTAGE	1500 Vrms - 1 Min.
POWER INDICATION	Mechanical Indicator

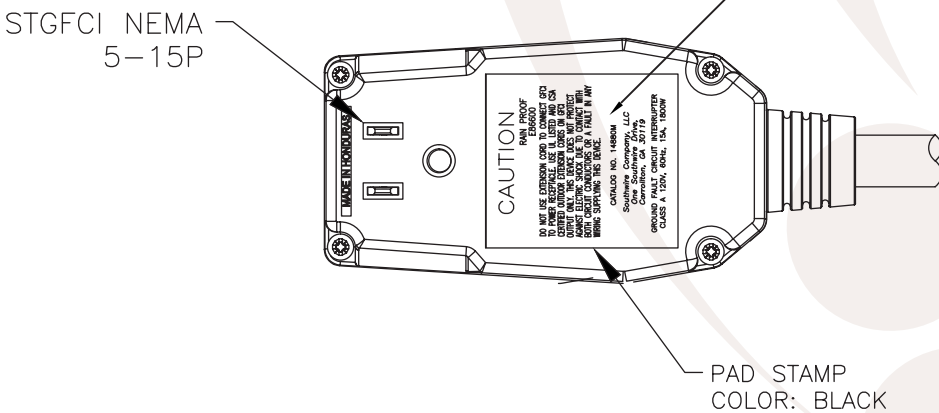
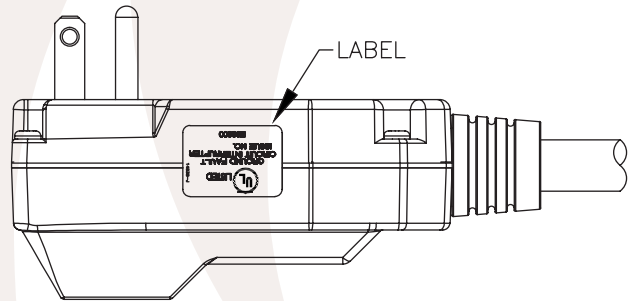
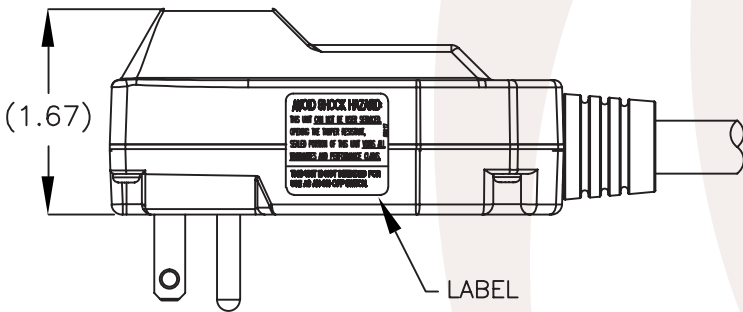
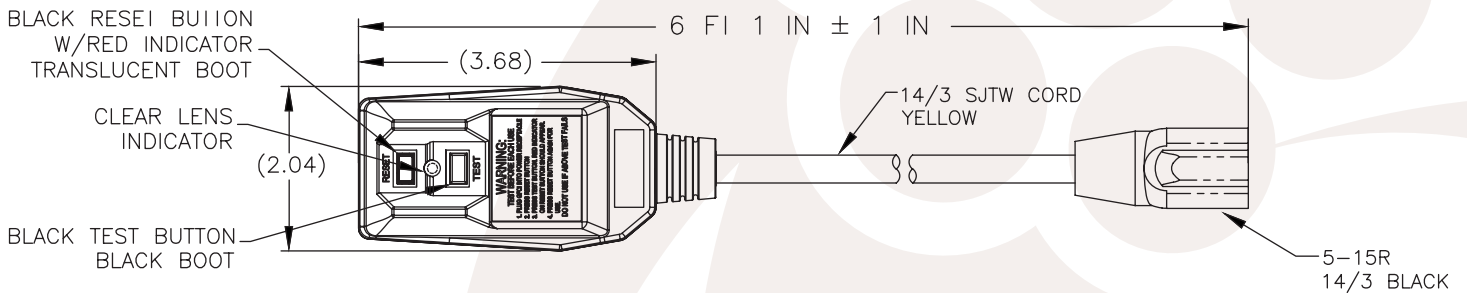
**BUILT FOR DURABILITY.
BUILT FOR RELIABILITY.
BUILT FOR WORK.™**

1-855-798-6657 | SOUTHWIRE.COM

©2023 Southwire Company, LLC. All rights reserved.
*Registered Trademark & ™Trademark of Southwire Company, LLC.



Southwire™



ENLARGED FOR CLARITY

CAUTION

RAIN PROOF
E86600

DO NOT USE EXTENSION CORD TO CONNECT GFCI TO POWER RECEPTACLE. USE UL LISTED AND CSA CERTIFIED OUTDOOR EXTENSION CORDS ON GFCI OUTPUT ONLY. THIS DEVICE DOES NOT PROTECT AGAINST ELECTRIC SHOCK DUE TO CONTACT WITH BOTH CIRCUIT CONDUCTORS OR A FAULT IN ANY WIRING SUPPLYING THIS DEVICE.

CATALOG NO. 14880M

Southwire Company, LLC
One Southwire Drive,
Carrollton, GA 30119

GROUND FAULT CIRCUIT INTERRUPTER
CLASS A 120V, 60Hz, 15A, 1800W

ENLARGED FOR CLARITY

**BUILT FOR DURABILITY.
BUILT FOR RELIABILITY.
BUILT FOR WORK.™**

1-855-798-6657 | SOUTHWIRE.COM

©2023 Southwire Company, LLC. All rights reserved.
*Registered Trademark & ™Trademark of Southwire Company, LLC.