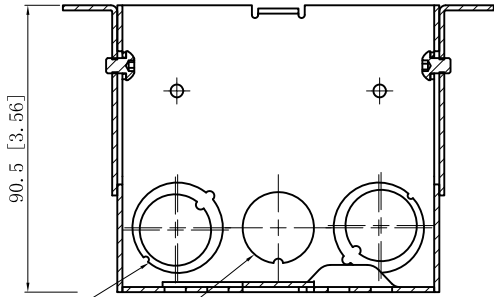
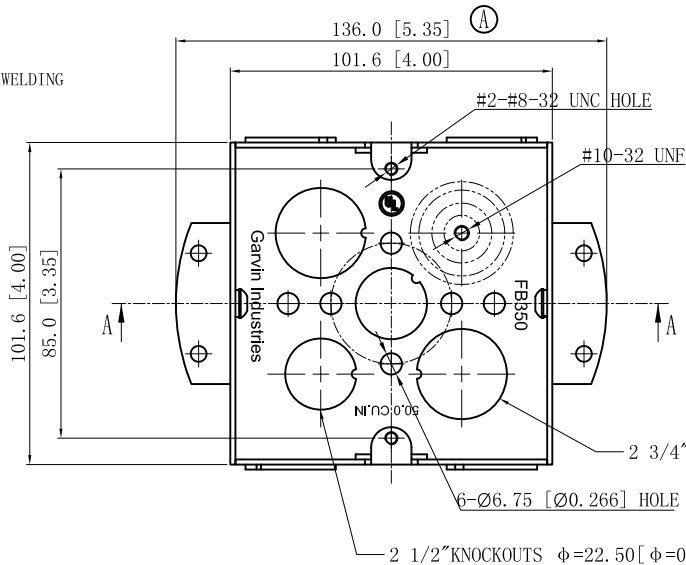
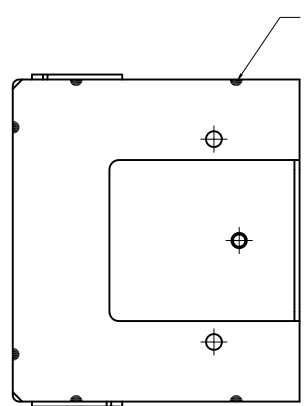
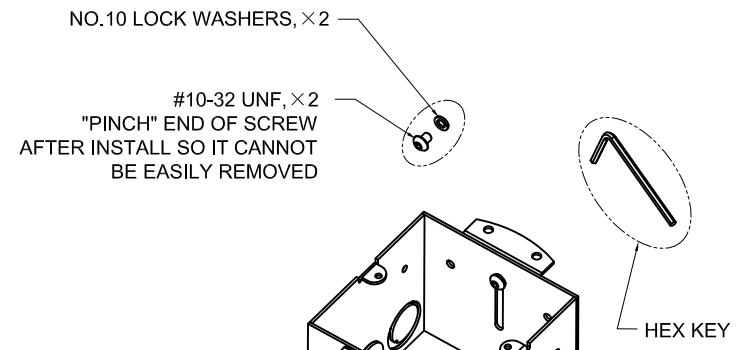


SIDES	BOTTOM
2 PCS 10-32×1/4 Screws Installed	
2 pcs No.10 spring lock washers Installed	
1 pcs #10-32 Allen wrench hex key	
Material:Steel-0.0625"-G60 Galvanized	



4 1/2"-3/4" KNOCKOUTS  $\phi=22.50$  [ $\phi=0.886$ ]  
 $\phi=28.50$  [ $\phi=1.122$ ]  
 2 1/2" KNOCKOUTS  $\phi=22.50$  [ $\phi=0.886$ ]

CUTAWAY VIEW A-A



This data sheet is for reference only .GARVIN INDUSTRIES reserves the right to make changes to the design without prior notice.

DESCRIPTION
TRADE REFERENCE TERMS

STANDARD PACKING	GARVIN INDUSTRIES		
25 PCS	SIZE	DWG NO.	REV
	A4	FB350	E
DATA SHEET			