

Item:

LWP-20WPCTS-E26
 LWP-20WPCTS-EX39
 LWP-30WPCTS-E26
 LWP-30WPCTS-EX39
 LWP-40WPCTS-EX39
 LWP-60WPCTS-EX39



WALL PACK/AREA LAMP RETROFIT INSTALLATION INSTRUCTIONS

READ AND FOLLOW ALL SAFETY INSTRUCTIONS!



WARNING

- Make all electrical and ground connections in accordance with local codes or the National Electrical Code. If you are not familiar with these codes and requirements, consult a qualified electrician. This Professional should be familiar with the construction and operation of this product and hazards involved. Failure to do so may result in serious personal injury.
- To reduce the risk of fire, electric shock, personal injury, or property damage, please read and follow all safety instructions. If you do not understand these instructions or if any additional information is required, contact your local Topaz representative. Retain these instructions for maintenance reference.
- Do not exceed the allowed supply voltage marked on the luminaire label information.
- Disconnect power at the circuit breaker panel before any installation.
- LED lamps require all ballasts, capacitors, and ignitors to be bypassed or removed.



CAUTION

- Do not expose wire to any sharp objects such as sheet metal to prevent wiring damage or abrasion.
- While the light is on, please avoid direct eye exposure.
- Combustible material should be kept away from fixture/LENS.
- Do not make or alter any open holes in any enclosure or any electrical component during installation.
- Do not use when the enclosure is damaged or broken in any way.
- To avoid risk of burn, be sure fixture/lamp temperature is cool enough to touch before handling.
- Make sure luminaire is mounted to a secure structure using appropriate mounting hardware to install fixture/lamp rated for your application. Failure to do so could result in serious injury.
- This device is not intended to be used with any emergency lighting fixture.
- Operating temperature of this lamp is -22°F to 140°F.



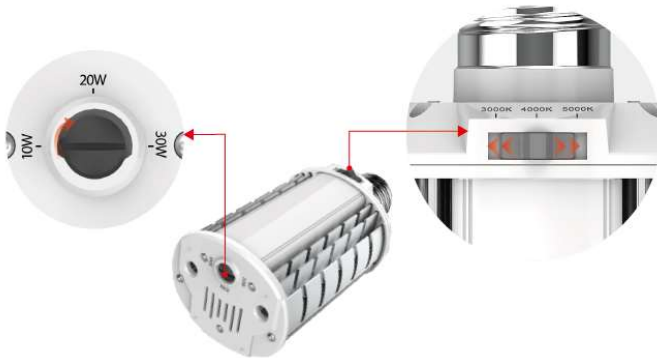
Part No.	Input Voltage	Frequency	Wattage	Rated Current at Max Wattage 120Vac	Rated Current at Max Wattage 277Vac
LWP-20WPCTS-Exxx	120Vac-277Vac	60Hz	20W	0.17A	0.07A
LWP-30WPCTS-Exxx	120Vac-277Vac	60Hz	30W	0.25A	0.11A
LWP-40WPCTS-EX39	120Vac-277Vac	60Hz	40W	0.33A	0.14A
LWP-60WPCTS-EX39	120Vac-277Vac	60Hz	60W	0.50A	0.22A

Item:

- LWP-20W-PCTS-E26
- LWP-20W-PCTS-EX39
- LWP-30W-PCTS-E26
- LWP-30W-PCTS-EX39
- LWP-40W-PCTS-EX39
- LWP-60W-PCTS-EX39



WALL PACK/AREA LAMP RETROFIT INSTALLATION INSTRUCTIONS



Step Dimming:

Before installation, set the Dimming Switch for the desired wattage for your application.

CCT Selectable:

Before installation, select the CCT desired by sliding the switch: Left(3000K), Middle(4000K), and Right(5000K)

Installation Instructions:

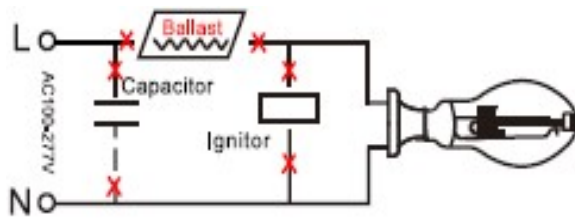


Fig1

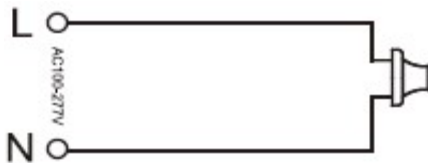


Fig2

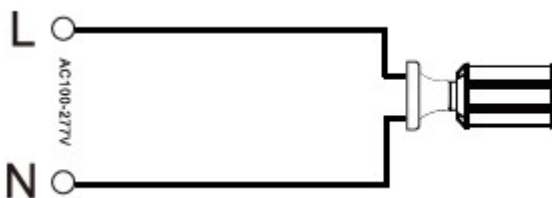


Fig3

Step 1:

Turn off power before performing any electrical work.

Step 2:

Remove the old Ballast, capacitor and ignitor as shown in *figure 1*.

Step 3:

Connect to the EX39 socket directly to Line and Neutral as shown in *figure 2*.

Step 4:

Screw the LED lamp into the socket. *figure 3*.

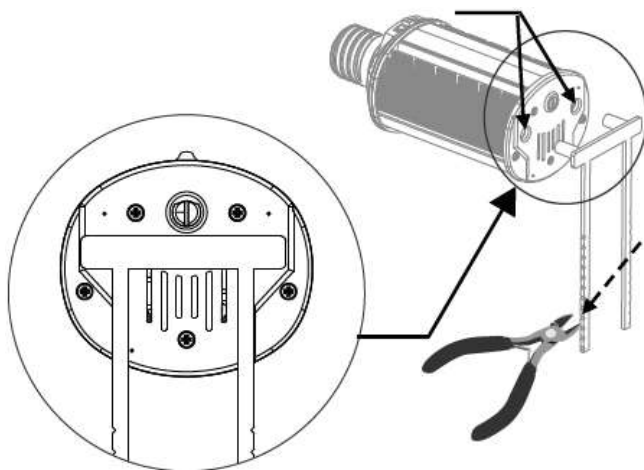
Item:

LWP-20W-PCTS-E26
LWP-20W-PCTS-EX39
LWP-30W-PCTS-E26
LWP-30W-PCTS-EX39
LWP-40W-PCTS-EX39
LWP-60W-PCTS-EX39



WALL PACK/AREA LAMP RETROFIT INSTALLATION INSTRUCTIONS

Support Stand Installation:



For installation in downward facing horizontal fixture, after installing the lamp, use the included double prong support and cut to the desired length. See figure to the left.

****NOTE: THESE INSTRUCTIONS DO NOT ADDRESS ALL PERMUTATIONS THAT MAY EXIST IN INSTALLATION, MAINTENANCE, AND OPERATING ENVIRONMENT.**