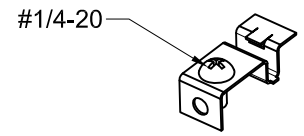
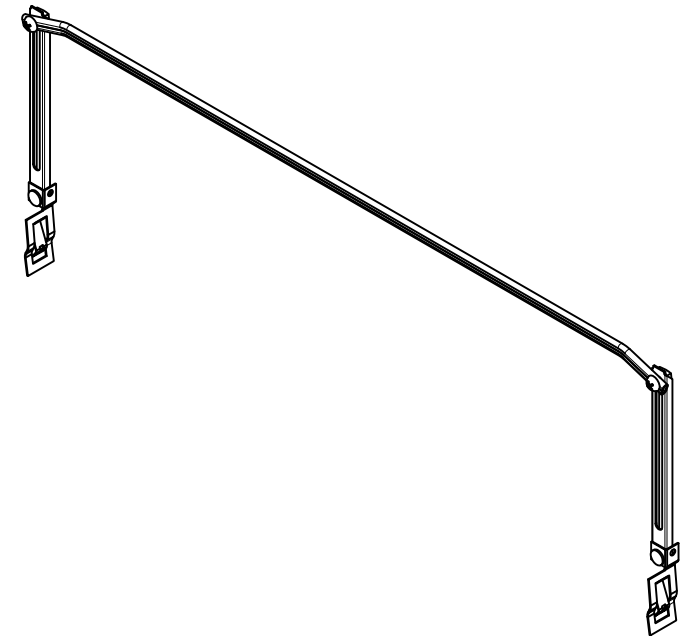
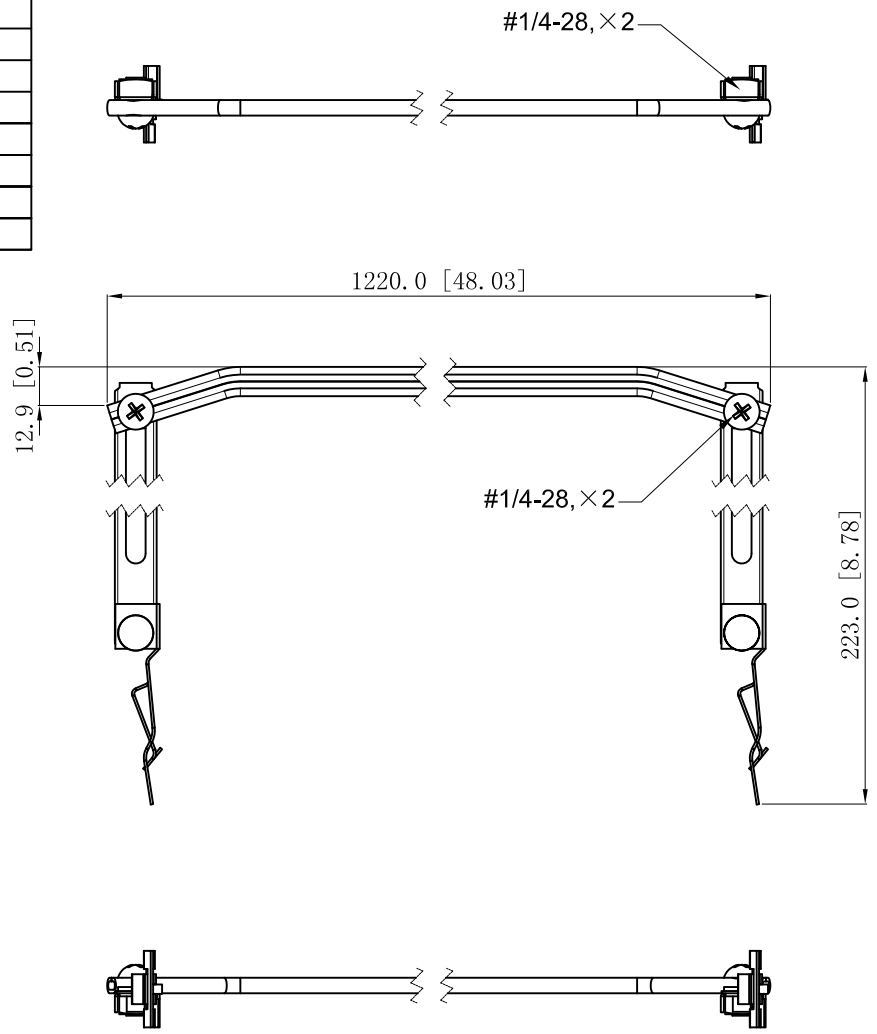
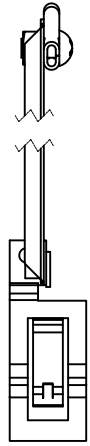


SIDES	BOTTOM
2 PCS 1/4-28×1/2 Screws Installed	
1 PCS 1/4-20×3/8 Screws Installed	
2 PCS #1/4-28 square nut Installed	
Material:Steel-G60 Galvanized	



This data sheet is for reference only .GARVIN INDUSTRIES reserves the right to make changes to the design without prior notice.

DESCRIPTION
TRADE REFERENCE TERMS

STANDARD PACKING	GARVIN INDUSTRIES		
50 PCS	TITLE FIXED LENGTH BOX BAR HANGERS		
	SIZE A4	DWG NO. BHT481A	REV A
DATA SHEET			
www.garvinindustries.com			