



Southwire™

COMBINATION COUPLINGS

COMPRESSION TYPE - EMT TO LIQUIDTIGHT - STEEL

FEATURES

- Liquidtight, raintight, oiltight
- Compression type
- EMT to liquidtight
- Reusable ferrule

APPLICATION

- Use to connect LT conduit to EMT 1/2" thru 1", ideal for rooftop HVAC air conditioners and motor hook-ups
- Can be used with EMT indoors only

STANDARD MATERIAL

- Steel

STANDARD FINISH

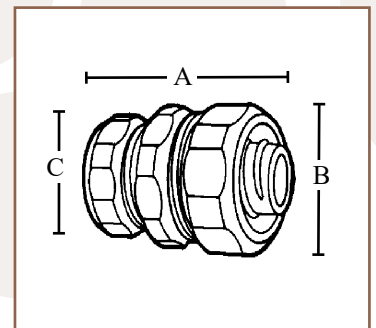
- Zinc plated

CERTIFICATIONS

- cULus



271



PART #	SIZE	INNER QTY.	MASTER QTY.	WEIGHT/ CASE (LBS.)	A	B	C
271	1/2"	25	250	20	1.64"	1.39"	1.09"
272	3/4"	20	200	14	1.75"	1.72"	1.30"
273	1"	10	100	16	2"	1.75"	1.50"

Rev. 0, 01/23

**BUILT FOR DURABILITY.
BUILT FOR RELIABILITY.
BUILT FOR WORK.™**

1-855-798-6657 | SOUTHWIRE.COM

©2023 Southwire Company, LLC. All rights reserved.
*Registered Trademark & ™Trademark of Southwire Company, LLC.