

Item:
 ARL-BL-60W-PCTS-BZ
 ARL-BL-60W-PCTS-GR
 ARL-BL-40W-50K-BZ



AREA LIGHT INSTALLATION INSTRUCTIONS

READ AND FOLLOW ALL SAFETY INSTRUCTIONS!

WARNING

- Make all electrical and ground connections in accordance with local codes or the National Electrical Code. If you are not familiar with these codes and requirements, consult a qualified electrician. This Professional should be familiar with the construction and operation of this product and hazards involved. Failure to do so may result in serious personal injury.
- To reduce the risk of fire, electric shock, personal injury, or property damage, please read and follow all safety instructions. If you do not understand these instructions or if any additional information is required, contact your local Topaz representative. Retain these instructions for maintenance reference.
- Do not exceed the allowed supply voltage marked on the luminaire label information.
- Disconnect power at the circuit breaker panel before any installation.

CAUTION

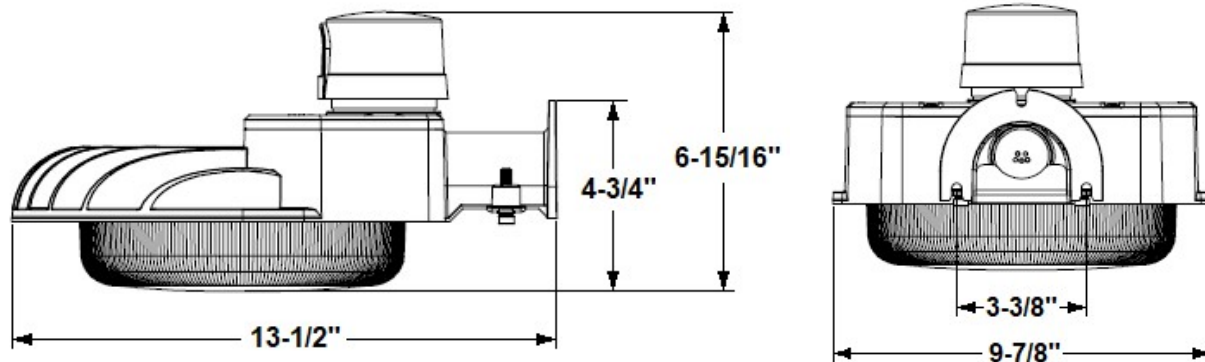
- Do not expose wire to any sharp objects such as sheet metal to prevent wiring damage or abrasion.
- While the light is on, please avoid direct eye exposure.
- Combustible material should be kept away from fixture/LENS.
- Do not make or alter any open holes in any enclosure or any electrical component during installation.
- Do not use when the enclosure is damaged or broken in any way.
- Do not alter, relocate or remove wiring, power supply or any other electrical component.

Model	Input Voltage	Frequency	Wattage	Rated Current 120Vac	Rated Current 277Vac
ARL-BL-60W-PCTS-xx	120Vac-277Vac	50Hz-60Hz	30W	0.3A	0.13A
			40W	0.4A	0.17A
			60W	0.6A	0.26A
ARL-BL-40W-50K-BZ	120Vac-277Vac	50Hz-60Hz	40	0.4A	0.17A

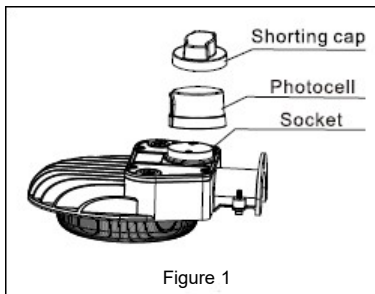
Item:
ARL-BL-60W-PCTS-BZ
ARL-BL-60W-PCTS-GR
ARL-BL-40W-50K-BZ



AREA LIGHT INSTALLATION INSTRUCTIONS



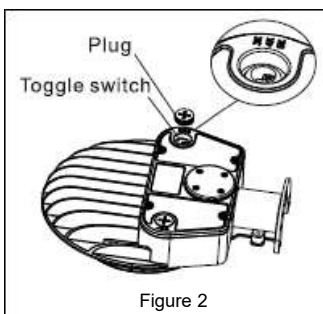
Photocell Installation:



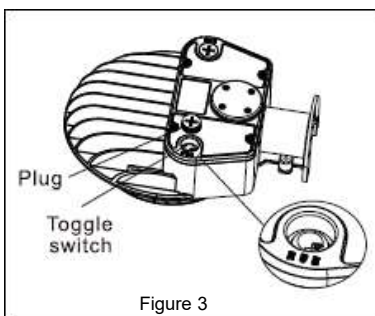
1. Insert the keyed photocell into the socket on top of the fixture and slightly turn clockwise to make tight.
2. Once installed determine if the sensor will be facing North when the fixture is mounted. If not, remove the photocell and remove 2 screws in the socket and align to make the photocell face as close to North as possible when installed.

Note: If not using the photocell, a shorting cap must be installed. See figure 1

CCT and Wattage Select:



1. To select CCT remove the NPT plug and set the switch to the desired color temperature.
2. Once selection has been made reinstall the NPT plug. See figure 2



3. To select wattage, remove the NPT plug and set the switch to the desired wattage.
4. Once wattage has been selected, reinstall the NPT plug. See figure 3

Item:
ARL-BL-60W-PCTS-BZ
ARL-BL-60W-PCTS-GR
ARL-BL-40W-50K-BZ



AREA LIGHT INSTALLATION INSTRUCTIONS

Pole Mount Installation:

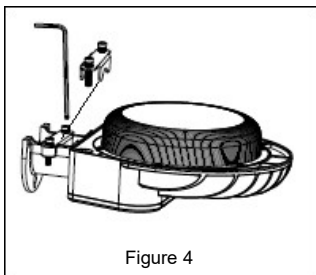


Figure 4

1. Make sure electric power is off before beginning any electrical work.
2. Attach the pole arm mount to the fixture. Do not tighten. *See figure 4*
3. At this point make your CCT and Wattage selection. *See CCT and Wattage Select on previous page*

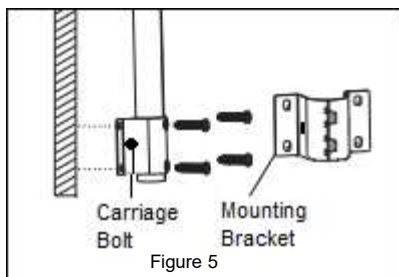


Figure 5

4. Attach pole arm bracket to the mounting surface using 4 bolts provided. *See figure 5*
5. Insert the pole arm into the bracket and tighten the mount carriage bolt. *See figure 5*

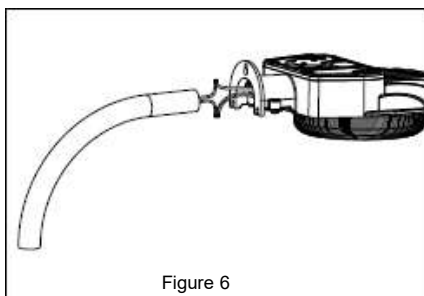


Figure 6

6. Feed supply wires through the pole arm and connect wires to fixture using supplied wire nuts. (White to white, Black to black and Green to green). Push excess wire into the pole and slide the fixture onto the pole. *See figure 6*

Note: If installing dimming wires connect Purple to Dim+ and Pink to Dim-.

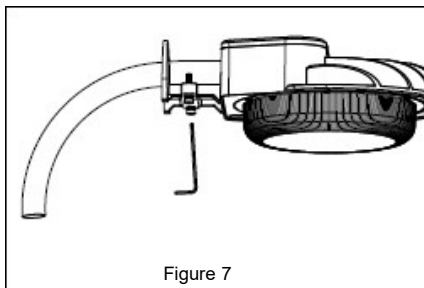


Figure 7

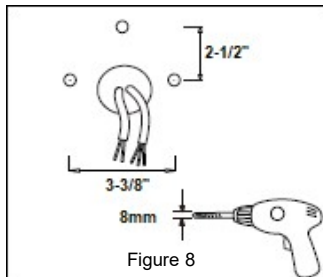
7. Tighten the pole arm mount. *See figure 7*
8. Install Dusk to Dawn sensor or shorting cap.
9. Turn on electric power.

Item:
ARL-BL-60W-PCTS-BZ
ARL-BL-60W-PCTS-GR
ARL-BL-40W-50K-BZ



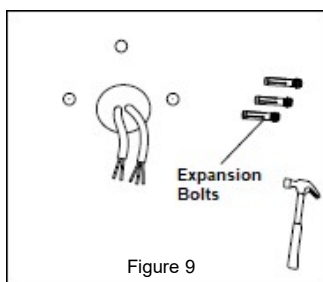
AREA LIGHT INSTALLATION INSTRUCTIONS

Wall Mount Installation:

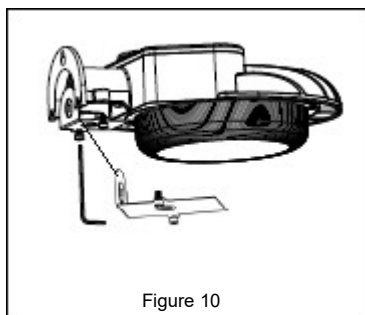


1. Make sure electrical power is off before beginning any electrical work
2. Install 3 lag screws provided as shown in *Figure 8* leaving about $\frac{1}{2}$ inch out to mount the fixture onto.

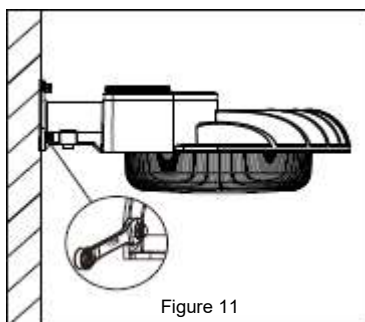
Note: If installing into brick or concrete wall, drill 3 8mm mounting holes as shown in *figure 8*. Hammer in the 3 expansion bolts provided. See *figure 9*



3. Remove wall mount plate. See *figure 10*
4. At this point make CCT and Wattage selection. See *page 2 for CCT and Wattage Selection*



5. Mount the fixture onto the bolts and tighten. See *figure 11*



Item:
ARL-BL-60W-PCTS-BZ
ARL-BL-60W-PCTS-GR
ARL-BL-40W-50K-BZ



AREA LIGHT INSTALLATION INSTRUCTIONS

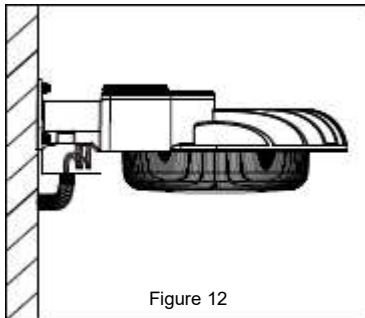


Figure 12

6. Thread the input wires through the knockout hole in the wall mount plate. Connect the input wires to the fixture, white to white, black to black, and green to ground. See *figure 12*

Note: If installing dimming wires connect Purple to Dim+ and Pink to Dim-.

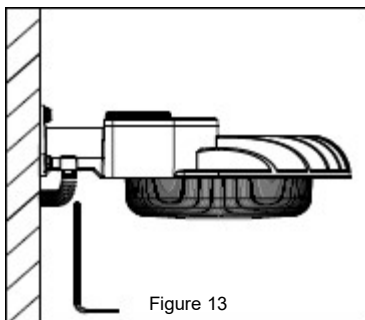


Figure 13

7. Tighten the wall mount plate to the fixture. See *figure 13*
8. Attach the Dusk to Dawn sensor or shorting cap.
9. Turn on electric power.

****NOTE: THIS INSTRUCTION DOES NOT ADDRESS ALL PERMUTATIONS THAT MAY EXIST IN INSTALLATION, MAINTENANCE, AND OPERATING ENVIRONMENT.**