



# Southwire™

## TOGGLE SWITCH COVER SINGLE

### FEATURES

- Weatherproof cover fits a single gang FS type box

### APPLICATIONS

- Toggle arm operates a standard 115 volt single or double pole switch which is completely enclosed

### STANDARD MATERIAL

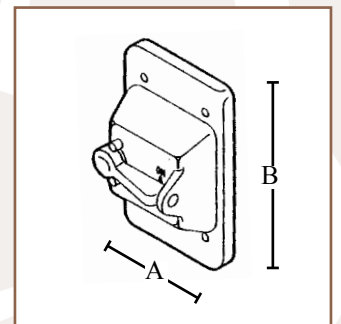
- PVC



1316



PART #	MASTER QTY.	WEIGHT/ CASE (LBS.)	A	B
1316	10	2	2.8125"	4.5625"



Rev. 0, 06/23

**BUILT FOR DURABILITY.  
BUILT FOR RELIABILITY.  
BUILT FOR WORK.™**

1-855-798-6657 | SOUTHWIRE.COM

©2023 Southwire Company, LLC. All rights reserved.  
\*Registered Trademark & ™Trademark of Southwire Company, LLC.