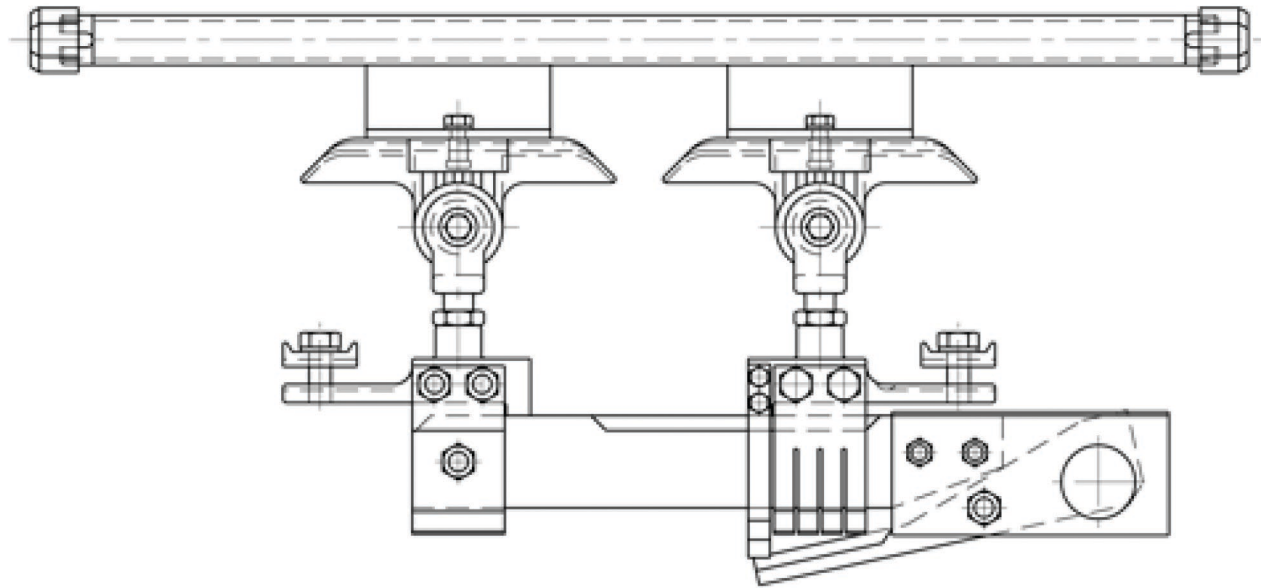


# Disconnect switches with interlocking, without protection section, with line insulator and red signal, to trapeze

Item number B1162-01



## Dimensions

length: 660mm  
length 1 (width of double cross-span): 600mm  
width: 80mm  
height 1 (closed): 295mm  
height 2 (open): 615mm

## Material and weight

material: Cu/INOX/St tzn, plastic  
weight: 8.100 kg

## Loads

tightening torque: M12 : 57Nm

## Function

function: Mechanical switchgear which separates overhead contact line sectors while switch is in open position

## Specification

operation voltage: 1500 V DC / 600A

## Comments

Do not switch disconnecter on load operation!



**Southwire™**



A COLAS RAIL COMPANY

Contact Us: [Transit@southwire.com](mailto:Transit@southwire.com)