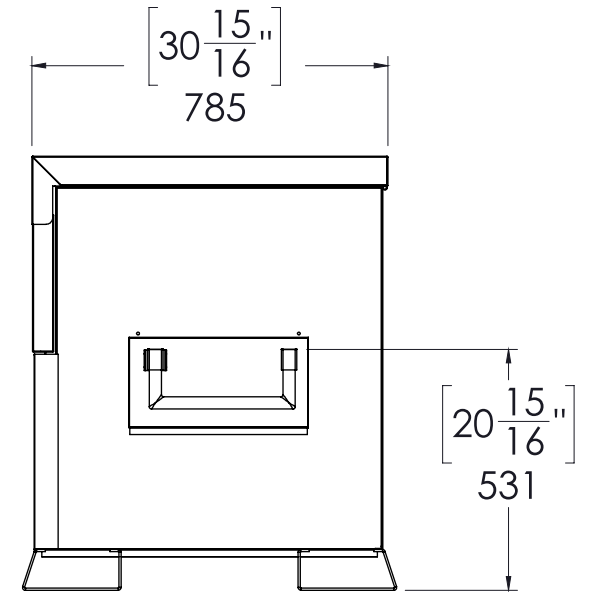
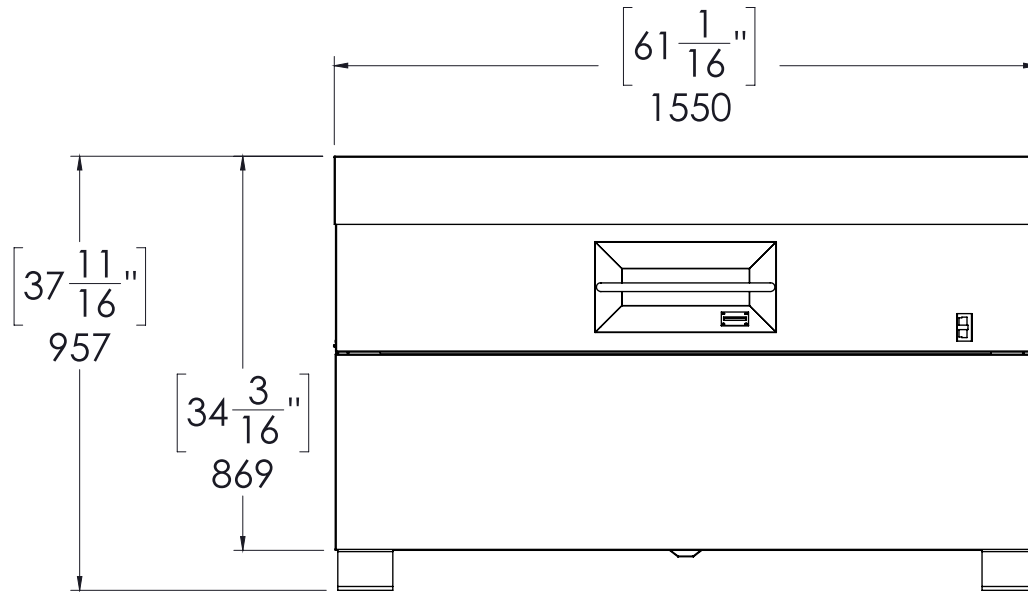
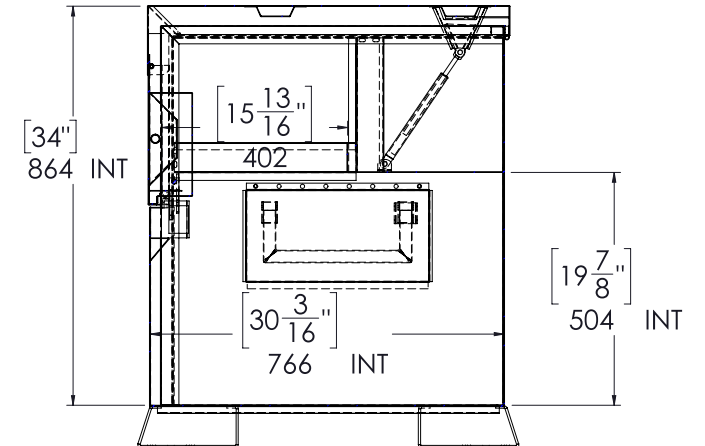
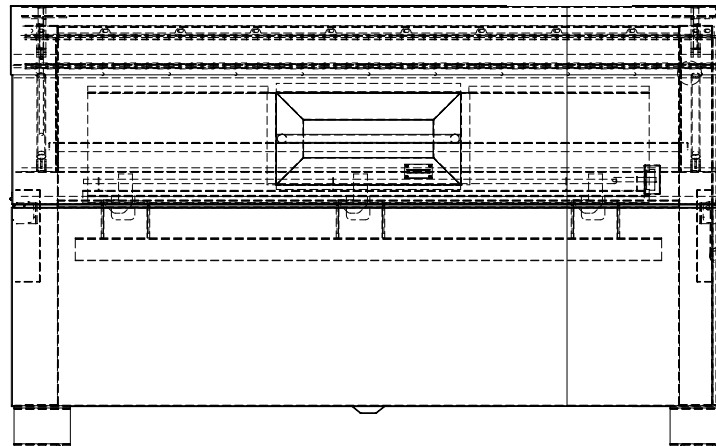


# PIANO BOX - PB603034 (59822201)

## OUTER DIMENSIONS

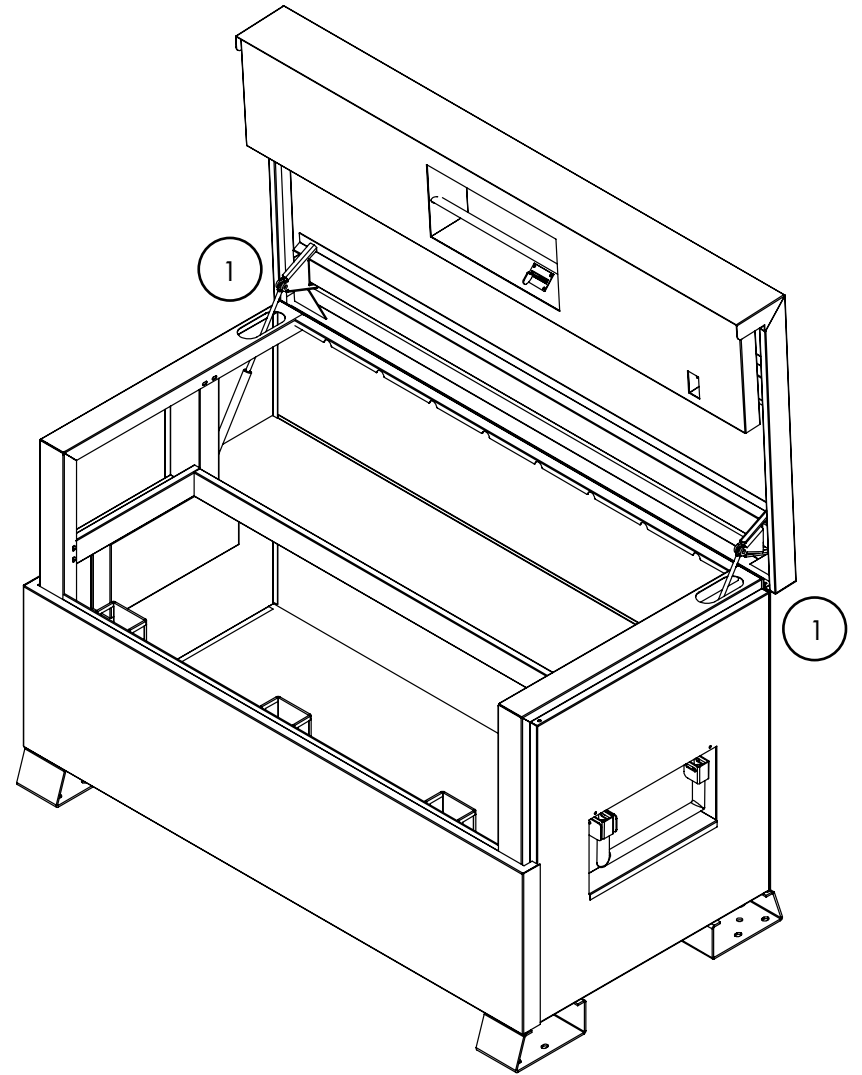
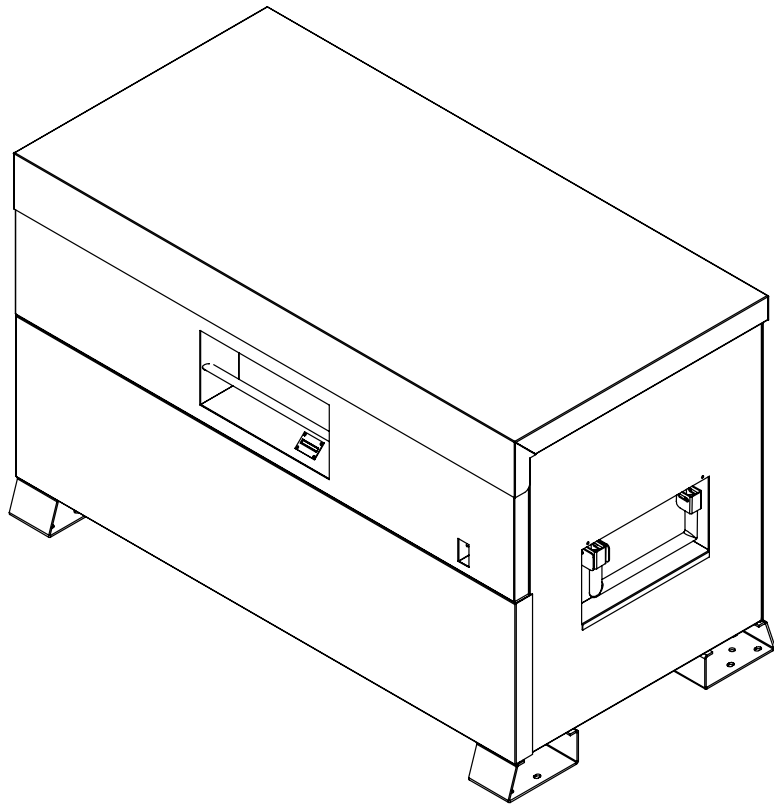


## INNER DIMENSIONS



SECCIÓN G-G  
ESCALA 1 : 14

# PIANO BOX - PB603034 (59822201)



Item	Part No.	Description	Qty
1	65272640	Piano Box Shocks	2
-	779025	Optional Caster Kit That Contains 779008 and 779009	-
-	779008	6" Swivel Casters	2
-	779009	6" Rigid Casters	2