



# Southwire™

TOOLS & EQUIPMENT

OPERATING and MAINTENANCE INSTRUCTIONS

## PVC BENDER

PVCB-02  
PVCB-04  
PVCB-06  
PVCB-06M

INSTRUCTIONS D'UTILISATION ET D'ENTRETIEN

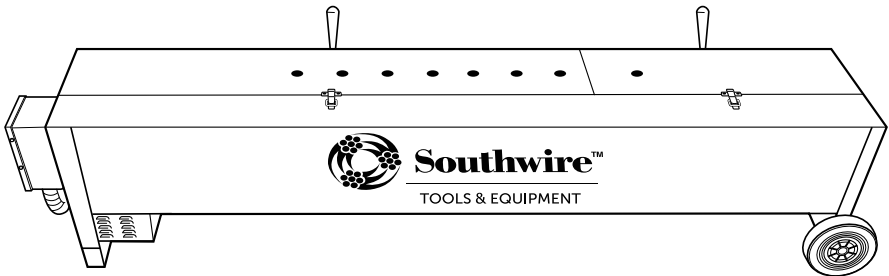
## CINTREUSE DE PVC

PVCB-02  
PVCB-04  
PVCB-06  
PVCB-06M

INSTRUCCIONES DE OPERACIÓN y MANTENIMIENTO

## DOBLADORA DE PVC

PVCB-02  
PVCB-04  
PVCB-06  
PVCB-06M



*Read and understand all of the instructions and safety information  
in this manual before operating or servicing this tool.*

*Lire attentivement et comprendre toutes les instructions et les renseignements de sécurité  
contenus dans ce manuel avant de procéder à l'utilisation ou à l'entretien de cet outil.*

*Lea y comprenda todas las instrucciones y la información de seguridad en este  
manual antes de operar y realizar mantenimiento a esta herramienta.*

**FAILURE TO OBSERVE THESE WARNINGS COULD RESULT IN SEVERE INJURY OR DEATH.**

**LE NON-RESPECT DE CES CONSIGNES POURRAIT ENTRAÎNER DES  
BLESSURES GRAVES OU MÊME LA MORT.**

**EL INCUMPLIMIENTO DE ESTAS ADVERTENCIAS PODRÍA RESULTAR EN LESIONES GRAVES O LA MUERTE.**

# PVC BENDER

## **TABLE OF CONTENTS**

Important Safety Information.....	2 - 4
Description of Operation.....	5
Setup and Operation.....	5 - 6
Technical Data.....	7 - 8
Additional Bending Information.....	8
Identification.....	9 - 11
Specifications.....	12
Warranty.....	13 - 14

## ***SAFETY FIRST***

---

Safety is essential in the use and maintenance of Southwire Contractor Equipment. This instruction manual and any markings on the tool provide information for avoiding hazards and unsafe practices related to the use of this tool. Observe all of the safety information provided.

## ***SAFETY ALERT SYMBOLS***

---

**These symbols** are used to call attention to hazards or unsafe practices related that could result in injury or property damage. The three safety words defined below indicate the severity of the hazard. The message after the signal word provides information for preventing or avoiding the hazard.



**DANGER** – Immediate hazards, that if not avoided **WILL** result in severe injury or death.



**WARNING** - Hazards, that if not avoided **MAY** result in severe injury or death.



**CAUTION** – Hazards, or unsafe practices that, if not avoided **MAY** result in severe injury or death.

## IMPORTANT SAFETY INFORMATION

---



**⚠ WARNING :** Read and understand all instructions and safety information in this manual before operating or servicing this tool.

**⚠ WARNING :** Personal Safety Hazards



- Only qualified persons should use the PVC Bender.
- Wear eye protection, heat resistant gloves and proper clothing when using this tool.
- Do not use tool while tired or under the influence of drugs, alcohol, or medication.
- Keep body parts and loose clothing away from moving parts.
- Always follow safety procedures as shown in this manual.

**FAILURE TO OBSERVE THESE WARNINGS CAN RESULT IN SEVERE INJURY OR DEATH.**

**⚠ DANGER:** Electrical Shock Hazards

- This is not an insulated tool, contact with live circuits could result in severe injury or death.

**⚠ CAUTION:** HOT

- Material and equipment will reach temperatures in excess of 212° F (100° C) during the forming process. The temperature of the element can exceed 1000° F (538° C)!
- Avoid burns by wearing the proper heat resistant gloves and appropriate clothing.
- Open and close the unit using the handle(s) only. Avoid touching the unit until it is cooled.
- Allow unit to cool before putting it away

**⚠ WARNING:** Entanglement Hazard

- Do not operate this tool while wearing loose fitting clothing. Restrain long hair and keep away from tool.
- Keep hands free from rotating parts while motorized bender is in use. Could pinch or crush hands.

**FAILURE TO OBSERVE THESE WARNINGS CAN RESULT IN SEVERE INJURY OR DEATH.**

## **IMPORTANT SAFETY INFORMATION**



### **WARNING:** Tool Use Hazards

- The normal use of this product is to heat PVC and other round thermosetting plastics only.
- The use of this product for purposes other than heating PVC pipe or working with thermosetting plastic is considered a violation of the warranty.
- Place your PVC Bender unit on a secure, dry surface, in a well ventilated area.
- Disconnect and turn off the unit during work delays.
- Keep flammable and combustible materials away from the unit and around the work area when unit is in operation.
- Connect each unit to the proper amperage capacity circuitry and grounded power source. Be careful not to overheat or overload your power source.
- We strongly recommend the use of a Ground Fault Circuit Interrupter (GFCI) protection when using this unit on any job site.
- We strongly recommend using an extension cord that is 10 AWG or 12 AWG to prevent the cord from overheating, causing current loss. Current loss occurs with the natural resistance of electricity flowing through copper wire acting like friction, reducing the available voltage. Using long (ex. 25 foot or longer) and / or undersized (ex. 16 AWG or 18 AWG) extension cords can reduce the heat output of the heating element because of the resistance that occurs resulting in slower bending times.
- Keep all decals clean and legible, and replace when necessary.
- Think Safety First!



**CAUTION:** Make sure bystanders are clear of the work area when utilizing this bender. Nearby personnel can be injured if there is a malfunction.

- If tool is in disrepair, DO NOT USE. Have tool serviced at an Authorized Southwire Repair Center.

**FAILURE TO OBSERVE THESE CAUTIONS CAN RESULT IN INJURY OR PROPERTY DAMAGE**

## ***PURPOSE OF THIS MANUAL***

---

This manual is intended to familiarize all personnel with the safe operation and maintenance procedures for the following Southwire Tools and Equipment: PVC BENDER. Keep this manual available to all personnel. Replacement manuals are available upon request at no charge at [www.southwiretools.com](http://www.southwiretools.com).

## ***DESCRIPTION OF OPERATION***

---

The PVC BENDER is a tool that will heat and soften PVC and other round thermosetting plastics in both Schedule 40 and Schedule 80 PVC conduits. This line of PVC Benders will heat and soften PVC and other round thermosetting plastic conduits from OD sizes of ½” to 6”.

## ***SETUP AND OPERATION***

---

1. Find a flat, dry surface. Ensure you have a well ventilated area away from any flammable material for your PVC Bender set-up.
2. Ensure your power supply is properly rated for the PVC Bender being used.
3. If using an extension cord, ensure it is a 10-12 AWG cord to prevent cord from overheating. The PVC Bender should be used with a GFCI protector when operating.
4. Turn PVC Bender (ON) with switch on control box.
5. Allow 3-5 minutes for PVC Bender to reach optimal working temperature.
6. Open door(s) using the handle on the outside of bender only and place PVC conduit to be bent onto internal rollers.
7. Allow approximately 30 seconds of heating time for each ½” in conduit diameter size in order for the proper forming temperature to be reached. Example: ½” OD should heat for 30 seconds while a 2” OD should heat for 2 minutes to become ready for bending.

## ***SETUP AND OPERATION***

---

8. Non-motorized benders require manual rotation of conduit to ensure equal temperature distribution. Plugs should be used on all conduit sizes larger than an OD of 2". This prevents conduit from collapsing while heating. NOTE: TO PREVENT THE SCORCHING AND THE BURNING OF PVC CONDUIT, IT MUST BE EVENLY HEATED. IT IS IMPORTANT NOT TO LEAVE ANY MATERIAL UNATTENDED AND UNROTATED WHILE IN AN OPERATING PVC BENDER AS IT MAY BECOME UNUSABLE AND MAY NOT MEET THE NATIONAL ELECTRICAL CODE REQUIREMENTS.
9. Motorized benders rotate conduit to evenly distribute heat to all areas. Ensure plugs are used in conduit sizes with an OD larger than 2" to prevent conduit from collapsing during the heating process.
10. After allotted heat time as been reached, open door(s) by lifting up on handle to access the conduit. Lift one end of the pipe to check for conduit softness. Once applicable softness has been achieved remove and bend or place in non-heat conducting jig to form desired bend.

## TECHNICAL DATA

---

### HEATING

A controlled uniform temperature of approximately 250° F is required to soften PVC Conduit. PVC plastic and other thermosetting plastic materials may be reheated and reformed, if necessary, without damage to the materials properties. Using the procedure outlined below, Schedule 40 and Schedule 80 PVC conduit can be easily formed in the field without crimping, flattening, or deforming. Forming ducts in the field, (such as “EB” (Encased Burial)) must be carefully controlled to prevent the deformation and swelling of the material’s very thin wall thickness. It is recommended that “field bends” be limited to “DB” (Direct Burial), Schedule 40 conduit or Schedule 80 conduit.

The correct forming temperature can be determined by opening the cover long enough to lift one end of the conduit from the rollers. When the conduit deflects readily without resistance and takes on a glossy appearance, it is ready to be removed and formed. Although ambient air temperature and wind conditions will have an effect on the heating time, a general rule of thumb may be applied when using the PVC Bender:

Allow approximately 30 seconds of heating time for each ½” in pipe diameter size in order for the proper forming temperature to be reached. Example: ½” OD should heat for 30 seconds while a 2” OD should heat for 2 minutes to become ready for bending.

### FORMING

Rotate the conduit in the PVC Bender until softened, making sure the entire length to be bent is evenly heated. If necessary, slide the pipe back and forth inside the PVC Bender to heat the entire area. When forming bends on pipe sizes ½” through 1-1/2” diameter, it is not necessary to use bending plugs. Once the conduit is ready to be formed, it can be installed in place and can quickly be set by cooling with a rag or sponge and cold water. Should several identical bends be required, or if a specific degree of bend or radius is necessary, a simple wood jig can be fashioned for fast, identical bends. We recommend that any form be made from non-heat conducting material.

**NOTE: It is difficult to achieve bends tighter than four (4) times the diameter of the pipe equaling the inside radius of the bend (4 X Dia= Inside Radius) without controlled manufacturing conditions.**



# TECHNICAL DATA

## PREVENTING DEFORMATION

Conduit and ducts 2" diameter and larger may crimp, flatten, or deform during the bending process. Bending plugs help to eliminate this problem. Bending plugs are inserted into the ends of the conduit before heating. Our adaptors slip over the plugs and are used for half size conduit and for belled-end pipe. During the heating cycle, the bending plugs cause the trapped, heated air, inside the conduit to expand, creating enough pressure inside the pipe to keep the walls of the conduit supported during the bending process. This slight amount of pressure is critical in keeping the walls of the pipe from collapsing or when making a bend. If a plug pops-out during the bending process, it may be necessary to reinsert the plug and reheat the pipe to complete a smooth, kink free bend.

## ADDITIONAL BENDING INFORMATION

Very tight radius bends are difficult to achieve with any size PVC pipe, conduit or duct without the use of special production techniques. These techniques can include air pressurization of the piece, insertion of special internal supports, or some other technique. The following table can be used as a guide that is applicable to many types of rigid PVC conduit and duct:



**NOMINAL  
INTERIOR  
DIAMETER  
IN INCHES**



**OUTSIDE  
DIAMETER  
IN INCHES**



**MINIMUM  
INSIDE  
RADIUS  
IN INCHES\***



**LENGTH  
OF CURVED  
SECTION  
IN INCHES**



**LENGTH OF  
STRAIGHT ENDS  
IN INCHES\*\*  
EACH END**



**TOTAL STOCK  
LENGTH  
IN INCHES**

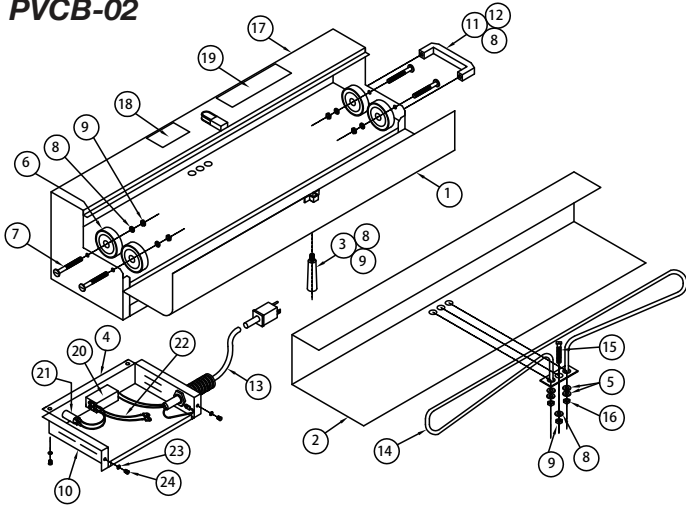
NOMINAL INTERIOR DIAMETER IN INCHES	OUTSIDE DIAMETER IN INCHES	MINIMUM INSIDE RADIUS IN INCHES*	LENGTH OF CURVED SECTION IN INCHES	LENGTH OF STRAIGHT ENDS IN INCHES** EACH END	TOTAL STOCK LENGTH IN INCHES
1/2"	27/32"	4"	7"	2"	11"
3/4"	1-3/64"	5"	9"	2-5/8"	14-1/4"
1"	1-5/16"	6"	10-1/2"	2-3/4"	16"
1-1/4"	1-21/32"	8"	14"	2-3/4"	19-1/2"
1-1/2"	1-29/32"	10"	17-1/2"	3-1/16"	23-5/8"
2"	2-3/8"	12"	21"	4"	29"
2-1/2"	2-7/8"	15"	26"	4-3/4"	35-1/2"
3"	3-1/2"	18"	31"	7-1/2"	46"
3-1/2"	4"	21"	36"	8-3/16"	52-3/8"
4"	4-1/2"	24"	41"	9"	59-1/2"
5"	5-9/16"	30"	52"	11-1/8"	74-1/4"
6"	6-5/8"	36"	62"	12-9/16"	87-1/8"

\*Source: Chapter 9; Table 2 "Radius of Conduit and Tubing Bends" National Electric Code© 2005 Edition. For Conductors without lead sheath - minimum radius of conduit bends.

\*\* Recommended minimum straight section each end.

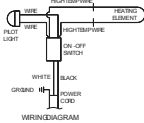
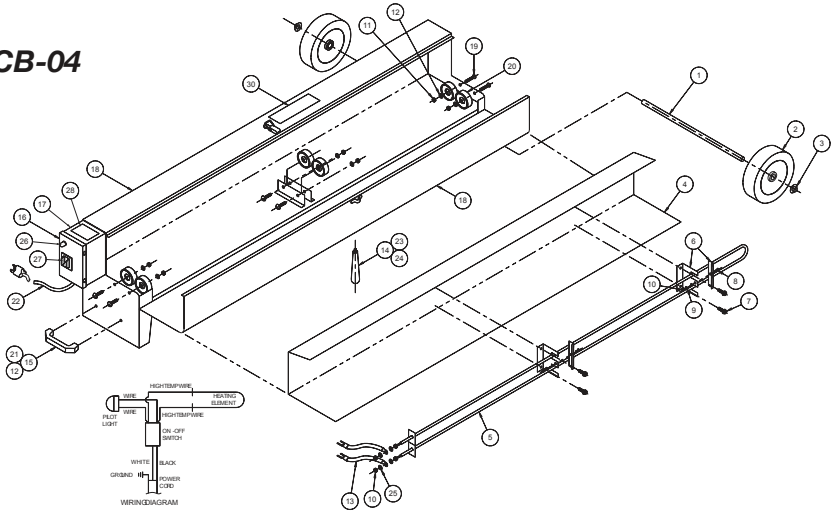
# IDENTIFICATION

## PVCB-02



1. Shell
2. Reflector
3. Cover handle
4. Switch guard (not shown)
5. Washer-small
6. Wheel
7. Bolt-wheel
8. Lock washer
9. Hex nut
10. Electric box cover
11. Bolt-carry handle
12. Carry handle
13. Power cord w/ strain relief
14. Element
15. Bolt-element
16. Hex-nut-small
17. Instruction label on back
18. "Notice" label
19. "Caution"/"Danger" label
20. Switch
21. Pilot light
22. High temp wire set
23. Lockwasher-small
24. Machine screw-small

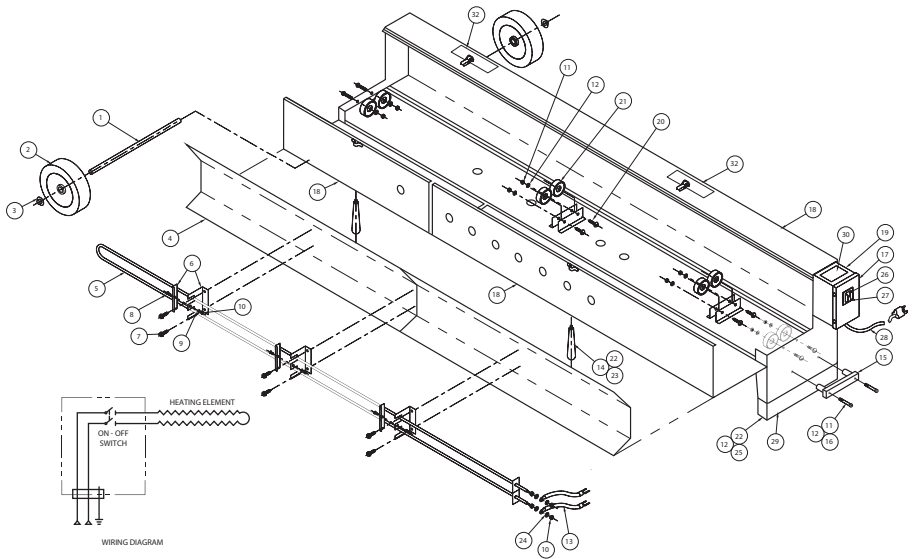
## PVCB-04



1. Axel
2. Rubber Wheel
3. Push Washer
4. Reflector
5. Replacement Element
6. Element Bracket Set
7. Metal Screws
8. Machine Screw-Small
9. Lock Washer-Small
10. Hex Nut-Small
11. Hex Nut-Medium
12. Lock Washer-Medium
13. High Temp Wire Set
14. Cover Handle
15. Carry Handle
16. Switch Box Cover
17. Switch Box
18. Shell
19. Machine Screw- Wheel
20. Wheel- Metal
21. Machine Screw- Carry Handle
22. Power Cord
23. Lock Washer- Large
24. Hex Nut- Large
25. Flat Washer- Small
26. Pilot Light
27. Switch 20/ Switch Guard
28. "Notice" Label
29. Instructional Label (Not Shown)
30. "Caution" / "Danger" Label

# IDENTIFICATION

## PVCB-06



- |                        |                                     |
|------------------------|-------------------------------------|
| 1. Axle                | 17. Switch Box Cover                |
| 2. Rubber Wheel        | 18. Shell                           |
| 3. Push Washer         | 19. Switch Box                      |
| 4. Reflector           | 20. Machine Screw- Wheel            |
| 5. Replacement Element | 21. Wheel- Metal                    |
| 6. Element Bracket Set | 22. Lock Washer- Large              |
| 7. Metal Screws        | 23. Hex Nut- Large                  |
| 8. Machine Screw-Small | 24. Flat Washer - Small             |
| 9. Lock Washer-Small   | 25. Hex Bolt                        |
| 10. Hex Nut-Small      | 26. Switch 30                       |
| 11. Hex Nut-Medium     | 27. Switch Guard                    |
| 12. Lock Washer-Medium | 28. Power Cord                      |
| 13. High Temp Wire Set | 29. Leg Extension                   |
| 14. Cover Handle       | 30. "Notice" Label                  |
| 15. Carry Handle       | 31. Instructional Label (Not Shown) |
| 16. Handle Allen Bolt  | 32. "Caution" / "Danger" Label      |



## ***SPECIFICATIONS***

---

### ***PVC BENDERS***

---

#### **Model# PVCB-02**

- Stock # 64-81-22-01
  - Height- 11"
  - Width- 32"
  - Depth- 10"
  - Weight- 19 lbs.
  - Watts- 1700 Watts
  - VAC- 115VAC
  - AMP- 15 AMP
  - Heat Source- Infrared
  - Capacity- Schedule 40 or Schedule 80 PVC or round thermosetting conduit n sizes ½"-2"
- 

#### **Model# PVCB-04**

- Stock # 64-30-11-01
  - Height –13"
  - Width – 56"
  - Depth – 8.50"
  - Weight – 50 lbs
  - Watts- 2400 Watts
  - VAC- 120 VAC
  - AMP- 20 AMP
  - Heat Source- Infrared
  - Capacity – Schedule 40 or Schedule 80 PVC or round thermosetting conduit in sizes ½"-4"
- 

#### **Model# PVCB-06**

- Stock # 64-30-12-01
  - Height –16.50"
  - Width – 73"
  - Depth – 11.75"
  - Weight – 80 lbs
  - Watts- 6300 Watts
  - VAC- 230 VAC
  - AMP- 28 AMP
  - Heat Source- Infrared
  - Capacity – Schedule 40 or Schedule 80 PVC or round thermosetting conduit in sizes ½"-6"
- 

#### **Model# PVCB-06M**

- Stock # 64-30-13-01
  - Height –16.50"
  - Width – 73"
  - Depth – 11.75"
  - Weight – 80 lbs
  - Watts- 6300 Watts
  - VAC- 230 VAC
  - AMP- 28 AMP
  - Heat Source- Infrared
  - Capacity – Schedule 40 or Schedule 80 PVC or round thermosetting conduit in sizes ½"-6"
- 

### ***PVC PLUG KITS***

#### **Model# PVCP-01**

- Stock # 64-30-14-01
- Height –8"
- Width –17"
- Depth – 9.50"
- Weight – 6 lbs
- Capacity – 2"-4"  
Conduit Plug Kit

#### **Model# PVCP-02**

- Stock # 64-30-16-01
- Height –9.50"
- Width –18"
- Depth – 10.50"
- Weight – 10 lbs
- Capacity – 2"-6"  
Conduit Plug Kit

# WARRANTY ON SOUTHWIRE CONTRACTOR EQUIPMENT

## **Five-Year Limited Warranty on Contractor Equipment**

Under Southwire's Contractor Equipment 5-Year Limited Warranty, Southwire Company, LLC warrants that all Southwire Contractor Equipment will be free from manufacturer defects for a period of five (5) years from the date of the original end user's purchase. The following products are excluded from this 5-Year Limited Warranty and are subject to separate warranty terms: rope, blades, dies, draw studs, grips, Southwire Contractor Equipment electronic components, and Material Boxes. Under this 5-Year Limited Warranty, the following are also excluded and Southwire Company, LLC will have no liability for any of the following: normal wear and tear resulting from product use and damage arising out of misuse, abuse, modification, and improper product maintenance. This warranty also does not cover Southwire Contractor Equipment products that have been modified by any party other than Southwire Company, LLC or its authorized third party designee. This 5-Year Limited Warranty is not transferrable to or enforceable by any person other than the product's original end user.

## **One-Year Limited Warranty on Rope, Blades, Dies, Draw Studs, Grips, and Southwire Contractor Equipment Electronic Components**

Under this 1-Year Limited Warranty, Southwire Company, LLC warrants that all Southwire Ropes, Blades, Dies, Draw Studs, Grips, and Southwire Contractor Equipment Electronic Components will be free from manufacturer defects for a period of one-year from the date of the original end user's purchase. Under this 1-Year Limited Warranty for the aforementioned Southwire Contractor Equipment items, the following are excluded and Southwire Company, LLC will have no liability for any of the following: normal wear and tear resulting from product use and damage arising out of misuse, abuse, modification, and improper product maintenance. This warranty also does not cover Southwire Contractor Equipment that has been modified by any party other than Southwire Company, LLC or its authorized third party designee. This 1-Year Limited Warranty is not transferrable to or enforceable by any person other than the product's original end user.

## **Exclusion of Incidental, Consequential, Indirect, Special and Punitive Damages**

**SOUTHWIRE MAKES NO WARRANTY THAT SOUTHWIRE CONTRACTOR EQUIPMENT PRODUCTS WILL BE MERCHANTABLE OR FIT FOR ANY PARTICULAR PURPOSE. SOUTHWIRE MAKES NO OTHER WARRANTY, EXPRESSED OR IMPLIED, OTHER THAN THE RELEVANT WARRANTY SPECIFICALLY SET FORTH IN THIS WARRANTY SECTION. SOUTHWIRE WILL NOT BE LIABLE FOR ANY INCIDENTAL, CONSEQUENTIAL, INDIRECT, SPECIAL, OR PUNITIVE DAMAGES FOR ANY BREACH OF THIS LIMITED LIFETIME WARRANTY.**

*Some states do not allow the exclusion or limitation of incidental or consequential damages, so the above limitation or exclusion may not apply to you.*

## Warranty Claim Information /How Do You Get Service?

---

For all warranty, customer service, and product return authorizations and inquiries, please contact Southwire's Tools & Assembled Products at:

### **Southwire Tools & Assembled Products**

840 Old Bremen  
Carrollton, GA, 30117

**Phone Number: 1.855.SW.Tools**

1. All warranty claims must be approved by Southwire's Tools & Assembled Products Warranty Department prior to return of product. If Southwire determines that a product is defective, Southwire will, at its option, repair or replace defective products or defective product components, free of charge.
2. Upon approval, Southwire will issue a Product Return Authorization Form which will include instructions on how and where to return the product. **The product serial number and the original date of delivery must be set forth on the Product Return Authorization Form.**
3. Southwire will cover standard freight charges (Courier Ground rate) incurred in connection with products that Southwire ultimately determines to be defective.
4. All defective components and defective products that Southwire replaces under these Warranties will become Southwire's property and will be retained by Southwire.

### **Repair Your Product When it is Out of Warranty**

Southwire is happy to provide information about where a purchaser can send a product for repair at consumers' own expense, please contact **1.855.SW.tools** or visit **[www.southwiretools.com/tools/home.do](http://www.southwiretools.com/tools/home.do)** for more information about servicing for Southwire Products.

# CINTREUSE DE PVC

## ***TABLE DES MATIÈRES***

Renseignements de sécurité importants .....	2 - 4
Description du fonctionnement .....	5
Installation et utilisation .....	5 - 6
Données techniques .....	7 - 8
Renseignements supplémentaires sur le cintrage .....	8
Identification .....	9 - 11
Spécifications .....	12
Garantie .....	13 - 14



## **SÉCURITÉ D'ABORD**

---

La sécurité est essentielle dans l'utilisation et l'entretien d'équipement Southwire Contractor Equipment. Ce manuel d'utilisation et les inscriptions sur l'outil fournissent les renseignements pour éviter les risques et les pratiques dangereuses liés à l'utilisation de cet outil. Observer tous les renseignements de sécurité fournis.

### **SYMBOLES D'ALERTE DE SÉCURITÉ**

---

Ces symboles sont utilisés pour attirer l'attention sur les risques ou les pratiques dangereuses qui pourraient provoquer des blessures ou des dommages matériels. Les trois mots de sécurité définis ci-dessous indiquent la sévérité du risque. Le message qui suit le mot de sécurité fournit l'information nécessaire pour prévenir ou éviter le risque.



**DANGER** : Risques immédiats qui, s'ils ne sont pas évités, **PROVOQUERONT** des blessures graves ou même la mort.



**AVERTISSEMENT** : Risques qui, s'ils ne sont pas évités, **PEUVENT** provoquer des blessures graves ou même la mort.



**ATTENTION** : Risques ou pratiques dangereuses qui, s'ils ne sont pas évités, **PEUVENT** provoquer des blessures graves ou même la mort.

## RENSEIGNEMENTS DE SÉCURITÉ IMPORTANTS



**AVERTISSEMENT** - Lire attentivement et comprendre toutes les instructions et les renseignements de sécurité contenus dans ce manuel avant de procéder à l'utilisation ou à l'entretien de cet outil.

**AVERTISSEMENT** - Risques de blessure personnelle



- Seules les personnes qualifiées devraient utiliser une cintruse de PVC.
- Porter une protection pour les yeux et un casque de sécurité lors de l'utilisation de cet outil.
- Ne pas utiliser cet outil sous l'emprise de la fatigue ou sous l'effet de drogues, d'alcools ou de médicaments.
- Garder les parties du corps et les vêtements amples à l'écart des pièces en mouvement.

**LE NON-RESPECT DE CES CONSIGNES POURRAIT ENTRAÎNER DES BLESSURES GRAVES OU MÊME LA MORT.**

**⚠ DANGER:** Risques de chocs électriques.

- Cet outil n'est pas isolé; tout contact avec des circuits sous tension pourrait entraîner des blessures graves ou même la mort.

**⚠ ATTENTION:** CHAUD.

- La matière et l'équipement vont atteindre des températures supérieures à 100°C (212°F) au cours du processus de formage. La température de l'élément peut dépasser 538°C (1000°F)!
- Prévenir les brûlures par le port de gants et de vêtements résistants à la chaleur.
- Ouvrir et fermer l'unité uniquement avec la ou les poignées. Éviter de toucher l'unité avant qu'elle soit refroidie.
- Laisser l'unité refroidir avant de la ranger.

**⚠ ATTENTION:** Risque d'enchevêtrement

- Ne pas utiliser cet outil en portant des vêtements amples. Éviter de porter des cheveux longs ou les tenir loin de l'outil.
- Garder les mains éloignées des pièces rotatives pendant que la cintruse motorisée est en cours d'utilisation. Risque de pincer ou d'écraser les mains.

**LE NON-RESPECT DE CES CONSIGNES POURRAIT ENTRAÎNER DES BLESSURES GRAVES OU MÊME LA MORT.**

## **RENSEIGNEMENTS DE SÉCURITÉ IMPORTANTS**

### **⚠ AVERTISSEMENT**: Risques d'utilisation de l'outil

- L'utilisation normale de ce produit consiste uniquement à chauffer du PVC et d'autres matières plastiques thermodurcissables de forme ronde.
- L'utilisation de ce produit à d'autres fins que le chauffage de tubes en PVC ou le formage de matières plastiques thermodurcissables est considérée comme une violation des dispositions de la garantie.
- Placer votre cintreuse de PVC dans un endroit sécuritaire, sec et bien ventilé.
- Débrancher et éteindre l'unité durant les interruptions de travail.
- Maintenir éloignées de l'unité et de la zone de travail les matières inflammables et combustibles pendant le fonctionnement de l'unité.
- Brancher chaque unité à un circuit électrique qui possède l'ampérage approprié ainsi qu'à une source de courant avec mise à la terre. Attention à ne pas surchauffer ou surcharger la source d'alimentation.
- Nous recommandons fortement d'utiliser une prise de courant avec disjoncteur différentiel de fuite à la terre (DDFT) lors de l'utilisation de cette unité dans un lieu de travail.
- Nous recommandons fortement d'utiliser une rallonge électrique de 10 ou 12 AWG pour empêcher la rallonge de surchauffer, ce qui entraîne alors une perte de courant. Une perte de courant découle de la résistance naturelle de l'électricité lorsqu'elle parcourt un fil en cuivre, ce que l'on peut comparer à de la friction. Une perte de courant réduit la tension disponible. L'utilisation d'une longue rallonge (25 pi ou plus) ou d'une rallonge de calibre trop faible (16 AWG ou 18 AWG) peut réduire la chaleur produite par l'élément chauffant, car la résistance qui se produit occasionne des temps de cintrage plus longs.
- Garder tous les décalques propres et lisibles et les remplacer au besoin.
- Penser sécurité avant tout!

**⚠ ATTENTION** : Lire attentivement et comprendre toutes les instructions et les renseignements de sécurité contenus dans ce manuel avant de procéder à l'utilisation ou à l'entretien de cet outil.

**⚠ ATTENTION** : S'assurer que des passants ne se trouvent pas dans la zone des travaux lors de l'utilisation de cette cintreuse. Le personnel à proximité pourrait être blessé en cas de mauvais fonctionnement.

- Si l'outil n'est pas en bon état, NE PAS L'UTILISER. Envoyer l'outil à un Centre de réparation autorisé par Southwire.

**LE NON-RESPECT DE CES CONSIGNES POURRAIT ENTRAÎNER DES BLESSURES GRAVES OU MÊME LA MORT.**

## ***BUT DE CE MANUEL***

---

Le présent manuel a pour but de familiariser tout le personnel aux procédures d'utilisation sécuritaire et d'entretien de l'équipement Southwire suivant : CINTREUSE DE PVC. Conserver ce manuel à la portée de tout le personnel. Des manuels de remplacement sont disponibles gratuitement sur demande au [www.southwiretools.com](http://www.southwiretools.com).

## ***DESCRIPTION DU FONCTIONNEMENT***

---

La CINTREUSE DE PVC est un outil qui chauffe et assouplit du PVC et d'autres conduits plastiques thermodurcissables de forme ronde de diamètre 40 et 80. Cette gamme de cintreuses de PVC peut chauffer et assouplir du PVC et d'autres conduits plastiques thermodurcissables de forme ronde dont les tailles de diamètre extérieur vont de ½ po à 6 po.

## ***INSTALLATION ET UTILISATION***

---

1. Installer l'unité sur une surface plane et sèche. S'assurer que l'endroit est bien ventilé et maintenir éloignées de l'unité les matières inflammables.
2. S'assurer que la puissance de la source d'alimentation est appropriée pour la cintreuse de PVC.
3. Si une rallonge est utilisée, s'assurer qu'elle est de calibre 10 AWG ou 12 AWG afin d'éviter qu'elle surchauffe. La cintreuse de PVC doit être utilisée avec une prise de courant équipée d'un disjoncteur différentiel de fuite à la terre (DDFT).
4. Mettre sous tension (ON) la cintreuse de PVC au moyen du commutateur de la boîte de contrôle.
5. Patienter de 3 à 5 minutes le temps que la cintreuse atteigne la température optimale de fonctionnement.
6. Ouvrir la ou les portes uniquement avec la poignée située à l'extérieur de la cintreuse et placer le conduit en PVC sur les rouleaux internes de l'appareil.
7. Allouer environ 30 secondes de temps de chauffage pour chaque ½ po de diamètre d'un conduit afin d'atteindre la température de formage appropriée. Exemple : un conduit d'un diamètre extérieur de ½ po doit chauffer pendant 30 secondes alors qu'un autre d'un diamètre de 2 po doit chauffer pendant deux minutes avant d'atteindre la température de cintrage parfaite.

## **INSTALLATION ET UTILISATION**

---

8. Les cintreuses non motorisées exigent de tourner manuellement les conduits afin d'assurer une distribution uniforme de la température. Des bouchons doivent être utilisés pour les tailles de conduit dont le diamètre extérieur est supérieur à 2 po. Ces bouchons empêchent les conduits de s'effondrer pendant le chauffage. **REMARQUE : POUR EMPÊCHER QUE LES CONDUITS EN PVC S'ABÎMENT OU BRÛLENT, ILS DOIVENT ÊTRE CHAUFFÉS UNIFORMÉMENT. IL EST IMPORTANT DE NE PAS LAISSER DE MATIÈRES SANS SURVEILLANCE ET SANS ROTATION PENDANT LE FONCTIONNEMENT DE LA CINTREUSE DE PVC, CAR ELLES POURRAIENT DEVENIR INUTILISABLES ET NE PAS ÊTRE CONFORMES AUX EXIGENCES DU CODE NATIONAL DE L'ÉLECTRICITÉ.**
9. Les cintreuses motorisées font tourner les conduits afin de distribuer la chaleur de façon uniforme partout. S'assurer d'utiliser des bouchons avec des conduits dont la taille du diamètre extérieur est supérieure à 2 po afin d'empêcher les conduits de s'effondrer pendant le chauffage.
10. Une fois que la durée de chauffage a été atteinte, ouvrir la ou les portes avec la poignée pour accéder au conduit. Soulever une extrémité du conduit pour en vérifier la souplesse. Une fois que la souplesse recherchée a été atteinte, retirer et cintrer le conduit, ou le placer dans un gabarit non conducteur de chaleur pour le former.

## **DONNÉES TECHNIQUES**

---

### **CHAUFFAGE**

Une température uniforme contrôlée d'environ 120°C (250°F) est nécessaire pour assouplir le conduit en PVC. Le PVC et d'autres matières plastiques thermodurcissables peuvent être chauffés de nouveau et reformés, au besoin, sans nuire aux propriétés des matériaux. En effectuant la procédure décrite ci-dessous, les conduits en PVC de diamètre 40 et 80 peuvent facilement être formés sur le terrain sans sertissage, aplatissement ou déformation. Le formage de conduit sur le terrain (comme pour un enfouissement enrobé) doit être contrôlé avec soin pour empêcher la déformation et le gonflement de la faible épaisseur de la paroi des matières. Il est recommandé de limiter les cintrages sur le terrain aux enfouissements enrobés ou aux conduits de diamètre 40 ou 80.

La température de formage appropriée peut être déterminée en ouvrant le couvercle assez longtemps pour soulever une extrémité du conduit qui se trouve sur les rouleaux. Lorsque le conduit défléchit facilement sans résistance et qu'il prend un aspect brillant, il est prêt à être retiré de l'appareil et formé. Même si la température de l'air ambiant et les conditions de vent auront une incidence sur le temps de chauffage, une règle de base pourrait être appliquée lors de l'utilisation de la cintrreuse de PVC :

Allouer environ 30 secondes de temps de chauffage pour chaque ½ po de diamètre d'un conduit afin d'atteindre la température de formage appropriée. Exemple : un conduit d'un diamètre extérieur de ½ po doit chauffer pendant 30 secondes alors qu'un autre d'un diamètre de 2 po doit chauffer pendant deux minutes avant d'atteindre la température de cintrage parfaite.

### **FORMAGE**

Tourner le conduit dans la cintrreuse de PVC jusqu'à ce qu'il soit ramolli et s'assurer que toute la longueur à cintrer a été chauffée uniformément. Au besoin, faire glisser le conduit en un mouvement de va-et-vient dans la cintrreuse pour le chauffer entièrement. Lors du formage de conduits d'un diamètre de ½ po à 1-1/2 po, il n'est pas nécessaire d'utiliser des bouchons de cintrage. Lorsque le conduit est prêt à être formé, il peut être installé en place et être rapidement formé en le refroidissant avec de l'eau froide au moyen d'un chiffon ou d'une éponge. Si plusieurs cintrages identiques sont requis, ou si un degré ou rayon spécifique de cintrage est nécessaire, un gabarit en bois pourrait être conçu afin de réaliser rapidement des cintrages identiques. Nous recommandons d'utiliser un matériau non conducteur de chaleur

**REMARQUE : Il est difficile de produire sans conditions de fabrication contrôlées des cintrages plus restreints que quatre (4) fois le diamètre du conduit, ce qui équivaut au rayon intérieur du cintrage (quatre fois le diamètre = rayon intérieur).**

## PRÉVENIR LES DÉFORMATIONS

Les conduits d'un diamètre de 2 po et plus peuvent se plisser, s'aplatir ou se déformer pendant le cintrage. Les bouchons de cintrage aident à éliminer ce problème. Les bouchons de cintrage sont insérés dans les extrémités du conduit avant le chauffage. Nos adaptateurs se glissent dans les bouchons et ils sont utilisés pour les conduits demi-formats et les tuyaux à bout évasé. Pendant le cycle de chauffage, les bouchons de cintrage emprisonnent l'air chauffé à l'intérieur du conduit, créant ainsi suffisamment de pression à l'intérieur pour soutenir les parois du conduit durant le cintrage. Cette petite quantité de pression est cruciale lors d'un cintrage ou afin d'empêcher que les parois du conduit s'effondrent. Si un bouchon ressort du conduit pendant le cintrage, il pourrait être nécessaire de le réinsérer et de chauffer de nouveau le tuyau pour obtenir un cintrage lisse, sans entortillement.

## RENSEIGNEMENTS SUPPLÉMENTAIRES SUR LE CINTRAGE

Les cintrages à très faible rayon sont difficiles à réaliser, avec toute taille de tuyau ou conduit en PVC, sans utiliser des techniques de production spéciales. Parmi ces techniques, notons la pressurisation de la pièce, l'insertion de supports internes spéciaux, etc. Le tableau suivant peut servir de guide pour différents types de conduits rigides en PVC :



**DIAMÈTRE INTÉRIEUR NOMINAL EN POUÇES**



**DIAMÈTRE EXTÉRIEUR EN POUÇES**



**RAYON INTÉRIEUR MINIMUM EN POUÇES\***



**LONGUEUR DE SECTION RECOURBÉE EN POUÇES**



**LONGUEUR D'EXTREMITÉ NON RECOURBÉE EN POUÇES\*\* CHAQUE EXTRÉMITÉ**



**LONGUEUR TOTALE DU CONDUIT EN POUÇES**

1/2"	27/32"	4"	7"	2"	11"
3/4"	1-3/64"	5"	9"	2-5/8"	14-1/4"
1"	1-5/16"	6"	10-1/2"	2-3/4"	16"
1-1/4"	1-21/32"	8"	14"	2-3/4"	19-1/2"
1-1/2"	1-29/32"	10"	17-1/2"	3-1/16"	23-5/8"
2"	2-3/8"	12"	21"	4"	29"
2-1/2"	2-7/8"	15"	26"	4-3/4"	35-1/2"
3"	3-1/2"	18"	31"	7-1/2"	46"
3-1/2"	4"	21"	36"	8-3/16"	52-3/8"
4"	4-1/2"	24"	41"	9"	59-1/2"
5"	5-9/16"	30"	52"	11-1/8"	74-1/4"
6"	6-5/8"	36"	62"	12-9/16"	87-1/8"

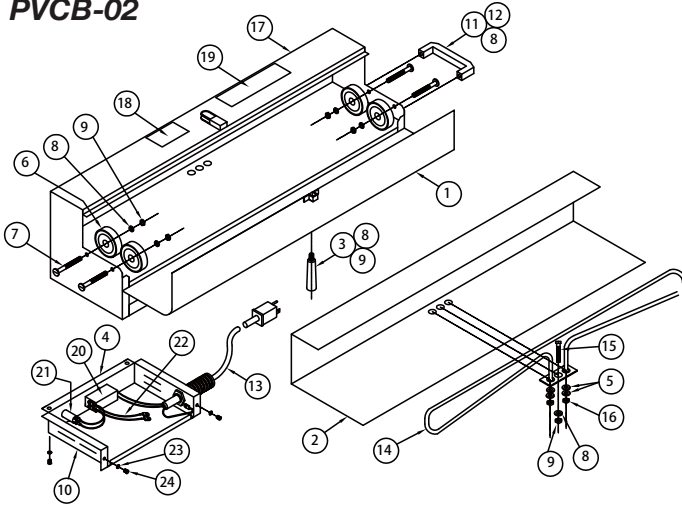
\*Source : Chapitre 9; Tableau 2 « Radius of Conduit and Tubing Bends » (Rayon de courbure de conduits et de tuyaux), Code national d'électricité américain (National Electric Code®), Édition 2005.

Pour les conducteurs sans gaine de plomb – rayon minimum de courbure de conduits.

\*\* Longueur minimale non recourbée recommandée pour chaque extrémité.

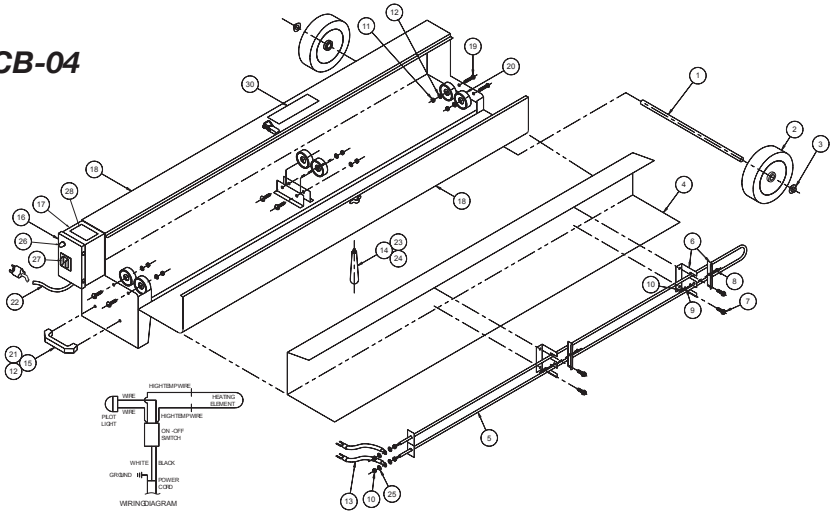
# IDENTIFICACIÓN

## PVCB-02



1. Boîtier
2. Réflecteur
3. Poignée de couvercle
4. Rondelle plate
5. Petite rondelle plate  
Voyant lumineux
6. Roue
7. Boulon - Roue
8. Grande rondelle de frein
9. Écrou hexagonal
10. Coffret électrique avec  
couvercle
11. Poignée à visser
12. Poignée de transport
13. Cordon d'alimentation
14. Élément de rechange
15. Élément de boulon
16. Ecrou hexagonal
17. Étiquette d'instructions  
(non affichée)
18. Étiquette d'avis
19. Étiquette de mise en garde  
/ danger
20. Commutateur
21. veilleuse
22. Câble haute température
23. Rondelle de frein
24. vis mécanique

## PVCB-04

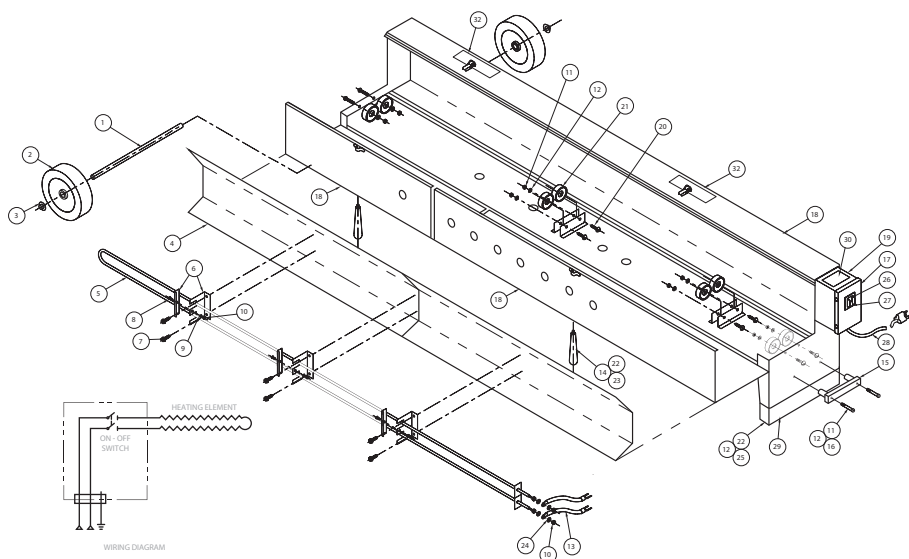


1. Essieu
2. Roue en caoutchouc
3. Rondelle de blocage
4. Réflecteur
5. Élément de rechange
6. Support d'élément
7. Vis à métal
8. Petite vis mécanique
9. Petite rondelle de frein
10. Petit écrou hexagonal
11. Écrou hexagonal moyen
12. Rondelle de frein moyenne
13. Câble haute température
14. Poignée de couvercle
15. Poignée de transport
16. Couvercle de la boîte de  
commutation
17. Boîte de commutation
18. Boîtier
19. Vis mécanique – roue
20. Roue – métal
21. Vis mécanique – poignée de transport
22. Cordon d'alimentation
23. Grande rondelle de frein
24. Grand écrou hexagonal
25. Petite rondelle plate Voyant lumineux
26. Voyant lumineux
27. Commutateur 20/Cache de  
sécurité de commutateur
28. Étiquette d'avis
29. Étiquette d'instructions (non affichée)
30. Étiquette de mise en garde / danger



# IDENTIFICACIÓN

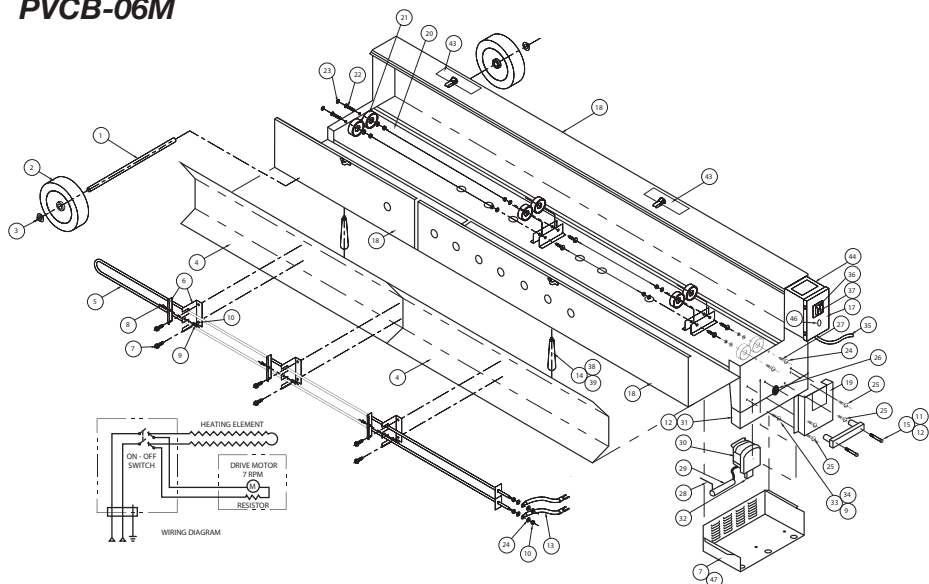
## PVCB-06



- |                                   |   |
|-----------------------------------|---|
| 1. Essieu                         | 17. Couvercle de la boîte de commutation    |
| 2. Roue en caoutchouc             | 18. Boîtier                                 |
| 3. Rondelle de blocage            | 19. Boîte de commutation                    |
| 4. Réflecteur                     | 20. Vis mécanique – roue                    |
| 5. Élément de rechange            | 21. Roue – métal                            |
| 6. Support d'élément              | 22. Grande rondelle de frein                |
| 7. Vis à métal                    | 23. Grand écrou hexagonal                   |
| 8. Petite vis mécanique           | 24. Petite rondelle plate Voyant lumineux   |
| 9. Petite rondelle de frein       | 25. Boulon hexagonal                        |
| 10. Petit écrou hexagonal         | 26. Commutateur 30                          |
| 11. Écrou hexagonal moyen         | 27. Cache de sécurité de commutateur        |
| 12. Rondelle de frein moyenne     | 28. Cordon d'alimentation                   |
| 13. Câble haute température       | 29. Extension de jambe                      |
| 14. Poignée de couvercle          | 30. Étiquette d'avis                        |
| 15. Poignée de transport          | 31. Étiquette d'instructions (non affichée) |
| 16. Boulon hexagonal pour poignée | 32. Étiquette de mise en garde / danger     |

# IDENTIFICATION

## PVCB-06M



- |  |   |
|--|---|
| 1. Essieu                                | 26. Roue dentée                             |
| 2. Roue en caoutchouc                    | 27. Chaîne                                  |
| 3. Rondelle de blocage                   | 28. Fil du moteur                           |
| 4. Réflecteur                            | 29. Résistance                              |
| 5. Élément de rechange                   | 30. Moteur                                  |
| 6. Support d'élément                     | 31. Extension de jambe                      |
| 7. Vis à métal                           | 32. Grande rondelle plate                   |
| 8. Petite vis mécanique                  | 33. Vis mécanique moyenne                   |
| 9. Petite rondelle de frein              | 34. Petite rondelle plate                   |
| 10. Petit écrou hexagonal                | 35. Cordon d'alimentation                   |
| 11. Écrou hexagonal moyen                | 36. Commutateur 30                          |
| 12. Rondelle de frein moyenne            | 37. Cache de sécurité de commutateur        |
| 13. Câble haute température              | 38. Grande rondelle de frein                |
| 14. Poignée de couvercle                 | 39. Grand écrou hexagonal                   |
| 15. Poignée de transport                 | 40. Boulon hexagonal                        |
| 16. Boulon hexagonal pour poignée        | 41. Boîtier du moteur                       |
| 17. Couvercle de la boîte de commutation | 42. Étiquette d'instructions (non affichée) |
| 18. Boîtier                              | 43. Étiquette de mise en garde / danger     |
| 19. Étiquette de « point de pincement »  | 44. Étiquette d'avis                        |
| 20. Essieu d'entraînement                | 45. Couvercle de la boîte de commutation    |
| 21. Roue moletée                         | 46. Voyant lumineux                         |
| 22. Bague                                | 47. Couvercle du moteur                     |
| 23. Attache                              |   |
| 24. Bouchon                              |   |
| 25. Protection de chaîne                 |   |

## SPÉCIFICATIONS

---

### CINTREUSES DE PVC

---

#### Modèle no. PVCB-04

- Stock n° 64-30-11-01
- Hauteur – 32,5 cm (13 po)
- Largeur – 142 cm (56 po)
- Profondeur – 21,5 cm (8,5 po)
- Poids – 22,6 kg (50 lb)
- Watts – 2400 watts
- V ca – 120 V ca
- AMP – 20 ampères
- Source de chaleur par infrarouge
- Capacité – PVC de diamètre 40 ou 80 ou conduits thermodurcissables de forme ronde de ½ po à 4 po

---

#### Modèle no. PVCB-06

- Stock n° 64-30-12-01
- Hauteur – 42 cm (16,5 po)
- Largeur – 185,4 cm (73 po)
- Profondeur – 30 cm (11,75 po)
- Poids – 36,3 kg (80 lb)
- Watts – 6300 watts
- V ca – 230 V ca
- AMP – 28 ampères
- Source de chaleur par infrarouge
- Capacité – PVC de diamètre 40 ou 80 ou conduits thermodurcissables de forme ronde de ½ po à 6 po

---

#### Modèle no. PVCB-06M

- Stock n° 64-30-13-01
- Hauteur – 42 cm (16,5 po)
- Largeur – 185,4 cm (73 po)
- Profondeur – 30 cm (11,75 po)
- Poids – 36,3 kg (80 lb)
- Watts – 6300 watts
- V ca – 230 V ca
- AMP – 28 ampères
- Source de chaleur par infrarouge
- Capacité – PVC de diamètre 40 ou 80 ou conduits thermodurcissables de forme ronde de ½ po à 6 po

---

### TROUSSES DE BOUCHONS POUR PVC

#### Modèle no. PVCB-01

- Stock n° 64-30-13-01
  - Hauteur – 20,3 cm (8 po)
  - Largeur – 43,2 cm (17 po)
  - Profondeur – 24,1 cm (9,5 po)
  - Poids – 2,7 kg (6 lb)
  - Capacité – 2 po à 4 po
- Trousse de bouchons de conduit

#### Modèle no. PVCB-02

- Stock n° 64-30-16-01
  - Hauteur – 24,1 cm (9,5 po)
  - Largeur – 45,7 cm (18 po)
  - Profondeur – 26,7 cm (10,5 po)
  - Poids – 4,5 kg (10 lb)
  - Capacité – 2 po à 6 po
- Trousse de bouchons de conduit

## **GARANTIE SUR L'ÉQUIPEMENT POUR ENTREPRENEURS SOUTHWIRE CONTRACTOR EQUIPMENT**

### **Garantie limitée de cinq ans sur l'équipement pour entrepreneurs**

Sous les termes de la garantie limitée de 5 ans pour les produits Southwire's Contractor Equipment, Southwire Company, LLC garantit que tous les produits Southwire Contractor Equipment seront exempts de défauts du fabricant pour une période de cinq (5) ans à compter de la date d'achat originale de l'utilisateur final. Les produits suivants sont exclus de cette garantie limitée de 5 ans et sont soumis à des termes de garantie distincts : câbles, lames, matrices, goujons d'extraction, poignées, composants électroniques Southwire Contractor Equipment et boîtes de matériel. Sous les provisions de cette garantie limitée de 5 ans, les produits suivants sont également exclus et Southwire Company, LLC ne sera aucunement responsable des événements suivants : l'usure normale résultant de l'utilisation du produit et les dommages causés par le mauvais usage, l'abus, la modification et un entretien inadéquat du produit. Cette garantie ne couvre pas non plus les produits Southwire Contractor Equipment qui ont été modifiés par toute partie autre que Southwire Company, LLC ou l'une de ses parties tierces désignées et autorisées. Cette garantie limitée de 5 ans n'est ni transférable ni applicable par toute personne autre que l'utilisateur final original du produit.

### **Garantie limitée d'un an sur les câbles, lames, matrices, goujons d'extraction, poignées et les composants électroniques Southwire Contractor Equipment**

Sous les termes de la présente garantie limitée de 1 an, Southwire Company, LLC garantit que tous les câbles, lames, matrices, goujons d'extraction, poignées et tous les composants d'équipement électronique Southwire Contractor Equipment seront exempts de défauts du fabricant pour une période de 1 an à compter de la date d'achat originale de l'utilisateur final. Sous les provisions de cette garantie limitée de 1 an pour les produits Southwire Contractor Equipment, les produits suivants sont également exclus et Southwire Company, LLC ne sera aucunement responsable des événements suivants : l'usure normale résultant de l'utilisation du produit et les dommages causés par le mauvais usage, l'abus, la modification et un entretien inadéquat du produit. Cette garantie ne couvre pas non plus l'équipement Southwire Contractor Equipment qui a été modifié par toute partie autre que Southwire Company, LLC ou l'une de ses parties tierces désignées et autorisées. Cette garantie limitée de 1 an n'est ni transférable ni applicable par toute personne autre que l'utilisateur final original du produit.

### **Exclusion des dommages incidents, consécutifs, indirects, spéciaux ou punitifs**

**SOUTHWIRE N'OFFRE AUCUNE GARANTIE QUANT À LA COMMERCIALISATION OU À L'ADAPTATION DES PRODUITS SOUTHWIRE CONTRACTOR EQUIPMENT À DES FINS PARTICULIÈRES. SOUTHWIRE NE DONNE AUCUNE AUTRE GARANTIE, TANT EXPLICITE QU'IMPLICITE, QUE CELLES SPÉCIFIQUEMENT MENTIONNÉES DANS CETTE GARANTIE. SOUTHWIRE NE POURRA ÊTRE TENUE RESPONSABLE D'ÉVENTUELS DOMMAGES INCIDENTS, CONSÉCUTIFS, INDIRECTS, SPÉCIAUX OU PUNITIFS DÉCOULANT DU NON-RESPECT DE CETTE GARANTIE À VIE LIMITÉE.**

*Certains États ou certaines provinces n'autorisent pas les exclusions ou les limitations des dommages accessoires ou consécutifs. Par conséquent, les limitations ou exclusions précédentes peuvent ne pas s'appliquer à votre cas.*

## **Renseignements à propos des réclamations de garantie /**

### **Comment obtenir le**

Pour toute garantie, service au client et demande d'information ou d'autorisation pour le retour d'un produit, veuillez communiquer avec Southwire's Tools & Assembled Products au :

#### **Southwire Tools & Assembled Products**

840 Old Bremen

Carrollton, GA, 30117

**Téléphone : 1.855.SW.Tools**

1. Toutes les réclamations de garantie doivent être approuvées par le département des garanties de Southwire's Tools & Assembled Products avant de retourner le produit. Si Southwire détermine que le produit est défectueux, Southwire peut, à sa discrétion, réparer ou remplacer le produit ou les composants défectueux, sans frais.
2. Sur approbation, Southwire émettra un formulaire d'autorisation pour le retour du produit, qui indiquera comment et où retourner le produit. Le numéro de série et la date originale de livraison doivent être indiqués sur le formulaire d'autorisation de retour.
3. Southwire s'acquittera des frais de transport réguliers (tarif terrestre FedEx) encourus en lien avec les produits que Southwire déterminera ultérieurement comme défectueux.
4. Tous les composants et produits défectueux remplacés par Southwire sous les dispositions de la garantie deviendront la propriété de Southwire et seront retenus par Southwire.

### **Réparer votre produit après l'échéance de la garantie**

Southwire est heureuse de vous fournir les renseignements sur l'endroit où un acheteur peut expédier un produit à réparer aux propres frais des clients. Veuillez appeler le **1.855.SW.tools** ou visiter le **[www.southwiretools.com/tools/home.do](http://www.southwiretools.com/tools/home.do)** pour plus de renseignements au sujet de la fourniture d'entretien et de services pour Southwire Products.

# DOBLADORA DE PVC

## *ÍNDICE*

Información de seguridad importante .....	2 - 4
Descripción de la operación .....	5
Instalación y operación .....	5 - 6
Datos técnicos .....	7 - 8
Información de plegado adicional.....	8
Identificación .....	9 - 11
Especificaciones .....	12
Garantía .....	13 - 14

## ***LA SEGURIDAD PRIMERO***

---

La seguridad es esencial en el uso y mantenimiento de los equipos de Southwire para contratistas. Este manual de instrucciones y todas las inscripciones en la herramienta brindan información para evitar riesgos y prácticas inseguras relacionadas con el uso de esta herramienta. Tenga en cuenta todas las indicaciones de seguridad proporcionadas.

## ***SÍMBOLOS DE ALERTA DE PELIGRO***

---

**Estos símbolos** se utilizan para llamar la atención sobre las prácticas inseguras o los peligros relacionados que podrían provocar lesiones o daños materiales. Los tres términos de seguridad que se definen a continuación indican la dimensión del riesgo. El mensaje siguiente al término de la señal ofrece información para prevenir o evitar el riesgo.



**PELIGRO:** Riesgos inmediatos que, de no evitarse, CAUSARÁN lesiones graves o la muerte.



**ADVERTENCIA:** Riesgos que, de no evitarse, PUEDEN ocasionar lesiones graves o la muerte.



**PRECAUCIÓN:** Prácticas inseguras o riesgos que, de no evitarse, PUEDEN ocasionar lesiones graves o la muerte.

## INFORMACIÓN DE SEGURIDAD IMPORTANTE



**ADVERTENCIA:** Lea y comprenda todas las instrucciones e información de seguridad en este manual antes de utilizar o dar mantenimiento a esta herramienta.



**ADVERTENCIA:**  
Riesgos para la seguridad personal.

- Solo personas calificadas deben utilizar una Dobladora de PVC.
- Usar protección ocular y un casco al utilizar esta herramienta.
- No usar la herramienta cuando se está cansado o bajo la influencia de drogas, alcohol o medicamentos.
- Mantener el cuerpo y las prendas sueltas alejadas de las piezas móviles.

**EL INCUMPLIMIENTO DE ESTAS ADVERTENCIAS PUEDE RESULTAR EN LESIONES GRAVES O LA MUERTE.**

**⚠ PELIGRO:** Riesgos de descarga eléctrica.

- Esta no es una herramienta aislada, el contacto con circuitos eléctricos activados podría resultar en lesiones graves o la muerte.

**⚠ PRECAUCIÓN:** CALIENTE.

- El material y el equipo alcanzarán temperaturas superiores a los 212° F (100° C) durante el proceso de formación. ¡La temperatura del elemento puede superar los 1000° F (538° C)!
- Evite quemaduras al usar los guantes resistentes al calor adecuados y la ropa apropiada.
- Abra y cierre la unidad utilizando únicamente el asa. Evite tocar la unidad hasta que se enfríe.
- Deje que la unidad se enfríe antes de guardarla.

**⚠ ADVERTENCIA:** Peligro de enredo.

- No opere esta herramienta mientras esté usando ropa suelta. Ate el cabello largo y manténgalo alejado de la herramienta.
- Mantenga las manos alejadas de las piezas giratorias mientras la dobladora motorizada está en uso. Podría apretarse o aplastarse las manos.

**EL INCUMPLIMIENTO DE ESTAS ADVERTENCIAS PUEDE RESULTAR EN LESIONES GRAVES O LA MUERTE.**



## **INFORMACIÓN DE SEGURIDAD IMPORTANTE**

**⚠️ ADVERTENCIA:** Riesgos del uso de la herramienta.

- El uso normal de este producto es únicamente para calentar PVC y otros plásticos termoestables redondos.
- El uso de este producto para otro fin que no sea calentar tubos de PVC o trabajar con plástico termoestable se considera una violación de la garantía.
- Coloque su unidad Dobladora de PVC en una superficie segura y seca, en un área bien ventilada.
- Desconecte y apague la unidad si hay demoras en el funcionamiento.
- Mantenga la unidad y los alrededores del área de trabajo alejados de materiales inflamables y combustibles cuando la unidad esté en funcionamiento.
- Conecte cada unidad a los circuitos con capacidad de amperaje apropiada y una fuente de suministro eléctrico con conexión a tierra. Tenga cuidado de no sobrecalentar ni sobrecargar su fuente de suministro eléctrico.
- Recomendamos encarecidamente el uso de una protección con un Interruptor de circuito de falla de tierra (GFCI, por sus siglas en inglés) cuando utilice esta unidad en cualquier sitio de trabajo.
- Recomendamos encarecidamente el uso de un cable alargador que sea de 10 AWG o 12 AWG para evitar que el cable se sobrecaliente, ocasionando pérdida de corriente. La pérdida de corriente ocurre con la resistencia natural de la electricidad que fluye a través de un cable de cobre que actúa como fricción, lo que reduce el voltaje disponible. Utilizar cables alargadores largos (p. ej. 25 pies o más largo) y / o de tamaño inferior (p. ej. 16 AWG o 18 AWG) puede reducir la potencia calorífica del elemento calefactor debido a la resistencia que ocurre y que tiene como resultado tiempos de plegado más lentos.
- Mantenga todas las etiquetas adhesivas limpias y legibles, y reemplácelas cuando sea necesario.
- ¡Piense en la seguridad primero!

**⚠️ PRECAUCIÓN:** Lea y comprenda todas las instrucciones e información de seguridad en este manual antes de utilizar o dar mantenimiento a esta herramienta.

**⚠️ PRECAUCIÓN:** Asegúrese de que las demás personas estén alejadas de la zona de trabajo cuando se utilice esta dobladora. El personal cercano se puede lesionar si hay una avería.

- NO USE la herramienta, si está deteriorada. Haga que le den mantenimiento a la herramienta en un Centro de reparación autorizado de Southwire.

**EL INCUMPLIMIENTO DE ESTAS ADVERTENCIAS PUEDE RESULTAR EN LESIONES GRAVES O LA MUERTE.**

## **OBJETIVO DE ESTE MANUAL**

---

Este manual tiene por objeto familiarizar a todo el personal con el funcionamiento seguro y los procedimientos de mantenimiento para el siguiente producto de Southwire Tools and Equipment: DOBLADORA DE PVC.

Mantenga este manual a disposición de todo el personal. Hay manuales de reemplazo disponibles sin ningún cargo en: [www.southwiretools.com](http://www.southwiretools.com).

## **DESCRIPCIÓN DE LA OPERACIÓN**

---

La DOBLADORA DE PVC es una herramienta que calentará y ablandará el PVC y otros plásticos termoestables redondos en conductos de PVC Schedule 40 y Schedule 80. Esta línea de Dobladoras de PVC calentará y ablandará conductos de PVC y otros plásticos termoestables redondos de tamaños de diámetro exterior de ½" a 6".

## **INSTALACIÓN Y OPERACIÓN**

---

1. Encuentre una superficie plana y seca. Asegúrese de contar con un área bien ventilada alejada de cualquier material inflamable para la instalación de su Dobladora de PVC.
2. Asegúrese de que su suministro eléctrico tenga la especificación correcta para la Dobladora de PVC que se va a utilizar.
3. Si va a utilizar un cable alargador, asegúrese de que sea un cable de 10-12 AWG para evitar que el cable se sobrecaliente. La Dobladora de PVC se debe utilizar con un protector de GFCI mientras está en funcionamiento.
4. Encienda la Dobladora de PVC (ON) con el interruptor en la caja de control.
5. Deje pasar de 3 a 5 minutos para que la Dobladora de PVC alcance la temperatura de funcionamiento óptima.
6. Abra la(s) puerta(s) utilizando únicamente el asa en la parte exterior de la dobladora y coloque el conducto de PVC para que sea doblado en los rodillos internos.
7. Deje pasar aproximadamente 30 segundos de tiempo de calentamiento por cada ½" en el tamaño de diámetro del conducto para que se alcance la temperatura de formación apropiada. Ejemplo: un diámetro exterior de ½" debe calentarse durante 30 segundos mientras que un diámetro exterior de 2" debe calentarse durante 2 minutos para que esté listo para el plegado.

## **INSTALACIÓN Y OPERACIÓN**

---

8. Las dobladoras no motorizadas requieren la rotación manual del conducto para asegurar una distribución uniforme de la temperatura. Se deben utilizar bujías en todos los tamaños de conductos mayores a un diámetro exterior de 2". Esto evita que el conducto colapse mientras se está calentando. **NOTA: PARA EVITAR QUE EL CONDUCTO DE PVC SE QUEME O CHAMUSQUE, SE DEBE CALENTAR DE MANERA UNIFORME. ES IMPORTANTE NO DEJAR NINGÚN MATERIAL DESATENDIDO Y SIN ROTAR MIENTRAS SE ENCUENTRE EN UNA DOBLADORA DE PVC EN FUNCIONAMIENTO YA QUE PUEDE VOLVERSE INUTILIZABLE Y PUEDE NO CUMPLIR CON LOS REQUISITOS DEL CÓDIGO NACIONAL DE ELECTRICIDAD.**
9. Las dobladoras motorizadas rotan el conducto para de manera uniforme el calor a todas las áreas. Asegúrese de que se utilicen bujías en los tamaños de conductos con un diámetro exterior mayor a 2" para evitar que el conducto colapse durante el proceso de calentamiento.
10. Después de que se haya alcanzado el tiempo de calentamiento asignado, abra la(s) puerta(s) al levantar el asa para acceder al conducto. Levante un extremo del tubo para revisar la flexibilidad del conducto. Una vez que se haya logrado la flexibilidad aplicable quite y doble o coloque en un armazón no conductor del calor para formar la curvatura deseada.

### **CALENTAMIENTO**

Se requiere una temperatura uniforme controlada de aproximadamente 250° F para ablandar el conducto de PVC. El plástico de PVC y otros materiales de plástico termoestable pueden ser recalentados y reformados, si es necesario, sin dañar las propiedades de los materiales. Al utilizar el procedimiento que se escribe a continuación, el conducto de PVC Schedule 40 y Schedule 80 se puede formar fácilmente en el campo sin que se aplaste, aplane ni deforme. La formación de conductos en el campo, (como “EB” (enterramiento blindado)), debe ser cuidadosamente controlada para evitar la deformación y la hinchazón del grosor la pared muy fina del material. Se recomienda que los “plegados en el campo” se limiten a “DB” (enterramiento directo), conducto Schedule 40 o conducto Schedule 80.

La correcta temperatura de formación se puede determinar al abrir la cubierta lo suficiente como para levantar un extremo del conducto de los rodillos. Cuando el conducto se desvía fácilmente sin resistencia y adopta una apariencia brillante, ya está listo para ser retirado y formado. Aunque la temperatura ambiente del aire y las condiciones del viento tendrán un efecto en el tiempo de calentamiento, se puede aplicar una regla general al utilizar la Dobladora de PVC: Deje pasar aproximadamente 30 segundos de tiempo de calentamiento por cada ½” en el tamaño de diámetro del tubo para que se alcance la temperatura de formación apropiada. Ejemplo: un diámetro exterior de ½” debe calentarse durante 30 segundos mientras que un diámetro exterior de 2” debe calentarse durante 2 minutos para que esté listo para el plegado.

### **FORMACIÓN**

Rote el conducto en la Dobladora de PVC hasta que se ablande, asegurándose de que la longitud completa que se va a doblar esté calentada de manera uniforme. Si es necesario, deslice el tubo hacia atrás y hacia adelante dentro de la Dobladora de PVC para calentar toda el área. Al formar las curvas en los tubos con un diámetro de tamaño ½” a 1-1/2”, no es necesario utilizar bujías de plegado. Una vez que el conducto esté listo para ser formado, se puede instalar en el lugar y colocar rápidamente enfriándolo con un paño o esponja y agua fría. Si se requieren varias curvas idénticas, o si es necesario un grado de curvatura o radio específico, se puede utilizar un simple armazón de madera para realizar curvas rápidas e idénticas. Recomendamos que cualquier forma se realice a partir de un material no conductor del calor.

**NOTA: Es difícil lograr curvas más cerradas que cuatro (4) veces el diámetro del tubo que equivale al radio interior de la curva (4 X Diám.= radio interior) sin condiciones de fabricación controladas.**

## DATOS TÉCNICOS

### COMO EVITAR LA DEFORMACIÓN

Los tubos y los conductos de 2" de diámetro y más grandes pueden aplastarse, aplanarse o deformarse durante el proceso de plegado. Las bujías de plegado ayudan a eliminar este problema. Las bujías de plegado se insertan en los extremos del conducto antes del calentamiento. Nuestros adaptadores se deslizan sobre las bujías y se utilizan para los conductos de la mitad del tamaño y para tubos de campana. Durante el ciclo de calentamiento, las bujías de plegado hacen que el aire caliente atrapado dentro del conducto se expanda, creando la presión suficiente dentro del tubo para mantener las paredes del conducto con soporte durante el proceso de plegado. Esta pequeña cantidad de presión es fundamental para evitar que las paredes del tubo colapsen o al realizar una curva. Si una bujía se sale durante el proceso de plegado, puede ser necesario volver a insertar la bujía y volver a calentar el tubo para completar una curva lisa y sin torceduras.

### INFORMACIÓN DE PLEGADO ADICIONAL

Las curvas con radios muy estrechos son difíciles de lograr con cualquier tubo, o conducto de PVC sin el uso de técnicas de producción especiales. Estas técnicas pueden incluir presurización de aire de la pieza, inserción de soportes internos especiales o alguna otra técnica. La siguiente tabla se puede utilizar como una guía que se puede aplicar a muchos tipos de conductos y tubos de PVC rígidos:



DIÁMETRO INTERIOR NOMINAL EN PULGADAS



DIÁMETRO EXTERIOR EN PULGADAS



RADIO INTERIOR MÍNIMO EN PULGADAS\*



LONGITUD DE LA SECCIÓN CURVA EN PULGADAS



LONGITUD DE LOS EXTREMOS RECTOS EN PULGADAS\*\* CADA EXTREMO



LONGITUD ESTÁNDAR TOTAL EN PULGADAS

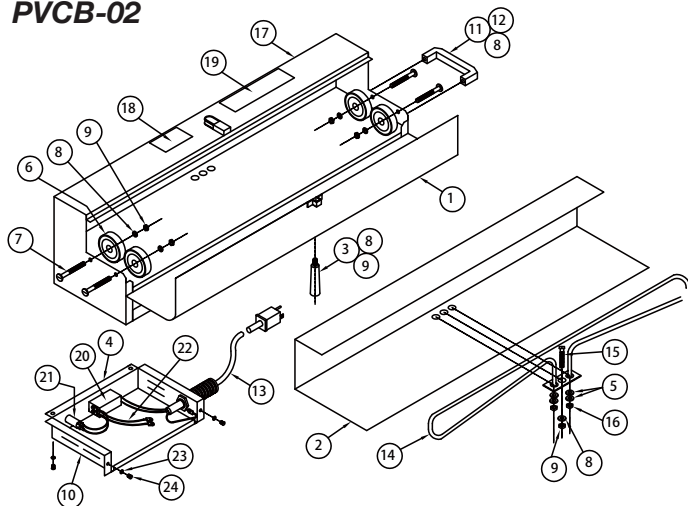
1/2"	27/32"	4"	7"	2"	11"
3/4"	1-3/64"	5"	9"	2-5/8"	14-1/4"
1"	1-5/16"	6"	10-1/2"	2-3/4"	16"
1-1/4"	1-21/32"	8"	14"	2-3/4"	19-1/2"
1-1/2"	1-29/32"	10"	17-1/2"	3-1/16"	23-5/8"
2"	2-3/8"	12"	21"	4"	29"
2-1/2"	2-7/8"	15"	26"	4-3/4"	35-1/2"
3"	3-1/2"	18"	31"	7-1/2"	46"
3-1/2"	4"	21"	36"	8-3/16"	52-3/8"
4"	4-1/2"	24"	41"	9"	59-1/2"
5"	5-9/16"	30"	52"	11-1/8"	74-1/4"
6"	6-5/8"	36"	62"	12-9/16"	87-1/8"

\*Fuente: Capítulo 9; Tabla 2 "Radius of Conduit and Tubing Bends" National Electric Code© 2005 Edition. Para conductores sin revestimiento de plomo: radio mínimo de curvaturas del conducto.

\*\* Sección recta mínima recomendada para cada extremo.

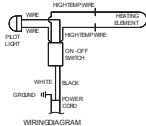
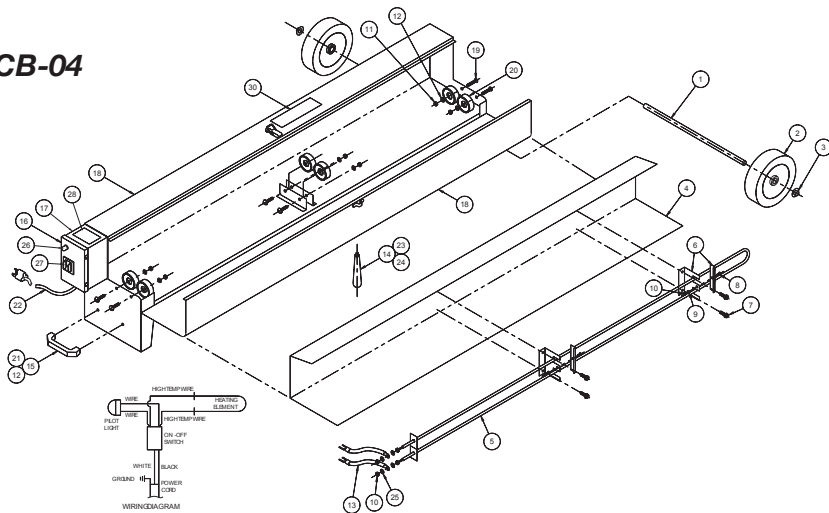
# IDENTIFICACIÓN

## PVCB-02



1. Carcasa
2. Reflector
3. Asa de la cubierta
4. Arandela plana
5. Arandela plana: pequeña
6. Rueda
7. Perno Rueda
8. Arandela de seguridad
9. Tuerca hexagonal
10. Caja eléctrica con tapa
11. Mango Bolt-carry
12. Asa para transportar
13. Cable de alimentación
14. Elemento de repuesto
15. Perno-elemento
16. Elemento tuerca hexagonal
17. Etiqueta de instrucciones (no se muestra)
18. Etiqueta de "Aviso"
19. Etiqueta de "Precaución" / "Peligro"
20. Cambiar
21. Piloto de luz
22. Conjunto de alambre para alta temperatura
23. Arandela de seguridad
24. Tornillo mecánico

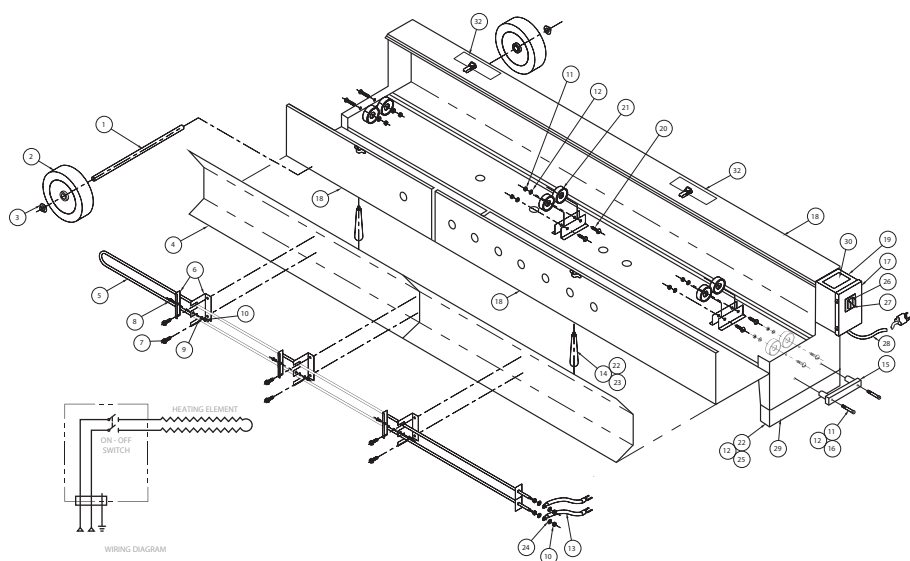
## PVCB-04



1. Eje
2. Rueda de goma
3. Arandela de empuje
4. Reflector
5. Elemento de repuesto
6. Conjunto de soporte del elemento
7. Tornillos metálicos
8. Tornillo mecánico: pequeño
9. Arandela de seguridad: pequeña
10. Tuerca hexagonal: pequeña
11. Tuerca hexagonal: mediana
12. Arandela de seguridad: mediana
13. Conjunto de alambre para alta temperatura
14. Asa de la cubierta
15. Asa para transportar
16. Cubierta de la caja de conmutación
17. Caja de conmutación
18. Carcasa
19. Tornillo mecánico: rueda
20. Rueda: metal
21. Tornillo mecánico: asa para transportar
22. Cable de alimentación
23. Arandela de seguridad: grande
24. Tuerca hexagonal: grande
25. Arandela plana: pequeña
26. Indicador luminoso
27. Interruptor 20/ Protector de interruptor
28. Etiqueta de "Aviso"
29. Etiqueta de instrucciones (no se muestra)
30. Etiqueta de "Precaución" / "Peligro"

# IDENTIFICACIÓN

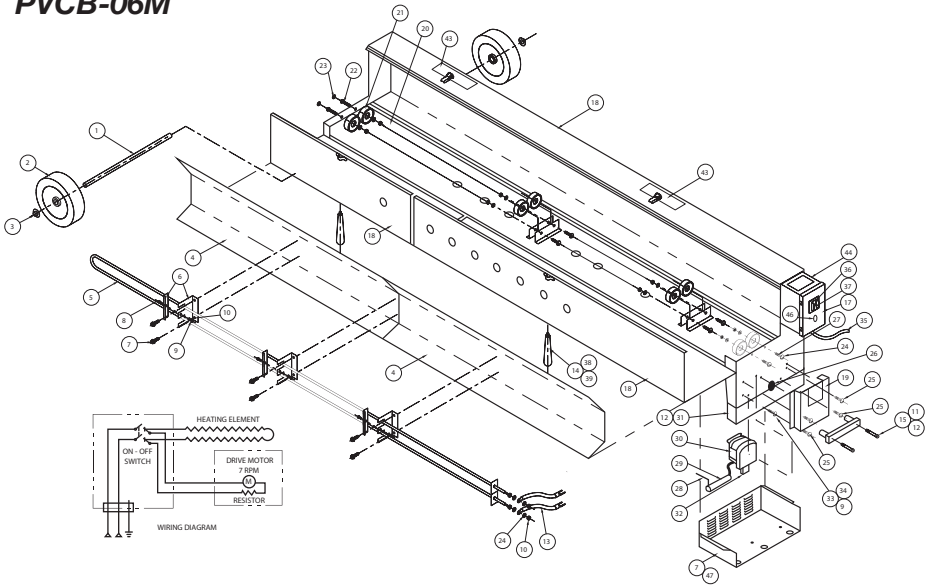
## PVCB-06



- |   |   |
|---|---|
| 1. Eje  | 17. Cubierta de la caja de conmutación        |
| 2. Rueda de goma                              | 18. Carcasa                                   |
| 3. Arandela de empuje                         | 19. Caja de conmutación                       |
| 4. Reflector                                  | 20. Tornillo mecánico: rueda                  |
| 5. Elemento de repuesto                       | 21. Rueda: metal                              |
| 6. Conjunto de soporte del elemento           | 22. Arandela de seguridad: grande             |
| 7. Tornillos metálicos                        | 23. Tuerca hexagonal: grande                  |
| 8. Tornillo mecánico: pequeño                 | 24. Arandela plana: pequeña                   |
| 9. Arandela de seguridad: pequeña             | 25. Perno hexagonal                           |
| 10. Tuerca hexagonal: pequeña                 | 26. Interruptor 30                            |
| 11. Tuerca hexagonal: mediana                 | 27. Protector de interruptor                  |
| 12. Arandela de seguridad: mediana            | 28. Cable de alimentación                     |
| 13. Conjunto de alambre para alta temperatura | 29. Extensión de las patas                    |
| 14. Asa de la cubierta                        | 30. Etiqueta de "Aviso"                       |
| 15. Asa para transportar                      | 31. Etiqueta de instrucciones (no se muestra) |
| 16. Tornillo Allen del asa                    | 32. Etiqueta de "Precaución" / "Peligro"      |

# IDENTIFICACIÓN

## PVCB-06M



- |   |   |
|---|---|
| 1. Eje  | 26. Piñón                                     |
| 2. Rueda de goma                              | 27. Cadena                                    |
| 3. Arandela de empuje                         | 28. Conductor principal del motor             |
| 4. Reflector                                  | 29. Resistor                                  |
| 5. Elemento de repuesto                       | 30. Motor                                     |
| 6. Conjunto de soporte del elemento           | 31. Extensión de las patas                    |
| 7. Tornillos metálicos                        | 32. Arandela plana grande                     |
| 8. Tornillo mecánico: pequeño                 | 33. Tornillo mecánico: mediano                |
| 9. Arandela de seguridad: pequeña             | 34. Arandela plana: pequeña                   |
| 10. Tuerca hexagonal: pequeña                 | 35. Cable de alimentación                     |
| 11. Tuerca hexagonal: mediana                 | 36. Interruptor 30                            |
| 12. Arandela de seguridad: mediana            | 37. Protector de interruptor                  |
| 13. Conjunto de alambre para alta temperatura | 38. Arandela de seguridad: grande             |
| 14. Asa de la cubierta                        | 39. Tuerca hexagonal: grande                  |
| 15. Asa para transportar                      | 40. Perno hexagonal                           |
| 16. Tornillo Allen del asa                    | 41. Carcasa del motor                         |
| 17. Cubierta de la caja de conmutación        | 42. Etiqueta de instrucciones (no se muestra) |
| 18. Carcasa                                   | 43. Etiqueta de "Precaución"/"Peligro"        |
| 19. Etiqueta de "Punto de apriete"            | 44. Etiqueta de "Aviso"                       |
| 20. Eje de unidad impulsora                   | 45. Cubierta de la caja de conmutación        |
| 21. Rueda moleteada                           | 46. Indicador luminoso                        |
| 22. Buje                                      | 47. Cubierta del motor                        |
| 23. Sujetador                                 |   |
| 24. Bujía                                     |   |
| 25. Guarda cadena                             |   |



## **ESPECIFICACIONES**

---

### **DOBLADORAS DE PVC**

---

#### **Modelo # PVCB-04**

- Mercancía n.º 64-30-11-01
  - Altura: 13”
  - Ancho: 56”
  - Profundidad: 8.50”
  - Peso: 50 libras
  - Vatios: 2400 vatios
  - V CA: 120 V CA
  - AMP: 20 AMP
  - Fuente calorífica: infrarroja
  - Capacidad: conducto de PVC Schedule 40 o Schedule 80 o conducto termoestable redondo de tamaños de ½” a 4”
- 

#### **Modelo # PVCB-06**

- Mercancía n.º 64-30-12-01
  - Altura: 16.50”
  - Ancho: 73”
  - Profundidad: 11.75”
  - Peso: 80 libras
  - Vatios: 6300 vatios
  - V CA: 230 V CA
  - AMP: 28 AMP
  - Fuente calorífica: infrarroja
  - Capacidad: conducto de PVC Schedule 40 o Schedule 80 o conducto termoestable redondo de tamaños de ½” a 6”
- 

#### **Modelo # PVCB-06M**

- Mercancía n.º 64-30-13-01
  - Altura: 16.50”
  - Ancho: 73”
  - Profundidad: 11.75”
  - Peso: 80 libras
  - Vatios: 6300 vatios
  - V CA: 230 V CA
  - AMP: 28 AMP
  - Fuente calorífica: infrarroja
  - Capacidad: conducto de PVC Schedule 40 o Schedule 80 o conducto termoestable redondo de tamaños de ½” a 6”
- 

### **KITS DE ENCHUFE DE PVC**

#### **Modelo # PVCP-01**

- Mercancía n.º 64-30-13-01
- Altura: 8”
- Ancho: 17”
- Profundidad: 9.50”
- Peso: 6 libras
- Capacidad: 2”-4”
- Kit de bujía para conducto

#### **Modelo # PVCP-02**

- Mercancía n.º 64-30-16-01
- Altura: 9.50”
- Ancho: 18”
- Profundidad: 10.50”
- Peso: 10 libras
- Capacidad: 2”-6”
- Kit de bujía para conducto

## **GARANTÍA DE LOS EQUIPOS DE SOUTHWIRE PARA CONTRATISTAS**

### **Garantía limitada de cinco años en equipos para contratistas**

En virtud de esta Garantía limitada de 5 años para los equipos de Southwire para contratistas, Southwire Company, LLC garantiza que todos los equipos de Southwire para contratistas estarán libres de defectos de fabricación por un período de cinco (5) años desde la fecha de compra por el usuario final original. Los siguientes productos están excluidos de esta garantía limitada de 5 años y están sujetos a términos de garantía distintos: cables, cuchillas, troqueles, espárragos de extracción, mordazas, componentes electrónicos de equipos de Southwire para contratistas, y cajas para materiales. En virtud de esta garantía limitada de 5 años, también se excluye lo siguiente y Southwire Company, LLC no asumirá ninguna responsabilidad por cualquiera de lo siguiente: desgaste normal resultante del uso del producto y daños derivados de un mal uso, abuso, modificación, e incorrecto mantenimiento del producto. Esta garantía tampoco cubre los equipos de Southwire para contratistas que hayan sido modificados por terceros distintos a Southwire Company, LLC o por un tercero autorizado designado. Esta garantía limitada de 5 años no es transferible a o ejecutable por cualquier otra persona que no sea el usuario final original del producto.

### **Garantía limitada de un año en cables, cuchillas, troqueles, espárragos de extracción, mordazas y componentes electrónicos de equipos de Southwire para contratistas.**

En virtud de esta Garantía Limitada de 1 año, Southwire Company, LLC garantiza que todos los cables, cuchillas, troqueles, espárragos de extracción, mordazas de Southwire, y los componentes electrónicos de Southwire de los equipos para contratistas estarán libres de defectos de fabricación por un período de un año desde la fecha de compra por el usuario final original. En virtud de esta Garantía Limitada de 1 año para los elementos de los equipos de Southwire para contratistas antes mencionados, se excluyen los siguientes y Southwire Company, LLC no asumirá ninguna responsabilidad por cualquiera de éstos: desgaste normal resultante del uso del producto y daños derivados de un mal uso, abuso, modificación y mantenimiento inadecuado del producto. Esta garantía tampoco cubre los equipos de Southwire para contratistas que hayan sido modificados por terceros distintos a Southwire Company, LLC o por un tercero autorizado designado. Esta garantía limitada de 1 año no es transferible a o ejecutable por cualquier otra persona que no sea el usuario final original del producto.

### **Exclusión de daños incidentales, consecuentes, indirectos, especiales y punitivos**

**SOUTHWIRE NO GARANTIZA QUE LOS PRODUCTOS DE SOUTHWIRE PARA CONTRATISTAS SE PUEDAN COMERCIALIZAR O SEAN APTOS PARA UN FIN DETERMINADO. SOUTHWIRE NO OTORGA OTRA GARANTÍA, EXPRESA O IMPLÍCITA, QUE NO SEA LA GARANTÍA PERTINENTE PRESENTADA EN ESTA SECCIÓN DE GARANTÍA. SOUTHWIRE NO SERÁ RESPONSABLE DE NINGÚN DAÑO INCIDENTAL, CONSECUENTE, INDIRECTO, ESPECIAL O PUNITIVO POR CUALQUIER INCUMPLIMIENTO DE ESTA GARANTÍA DE PERIODO LIMITADO.**

*Algunos estados no permiten la exclusión o limitación de daños incidentales o consecuentes, así que la limitación o exclusión antedichas pueden no aplicarse en su caso*

## **Información de reclamos de garantía/¿Cómo se recibe el servicio?**

---

Para cualquier garantía, servicio al cliente y autorizaciones de devolución de productos y consultas, póngase en contacto con Southwire Tools & Assembled Products en:

### **Southwire Tools & Assembled Products**

840 Old Bremen  
Carrollton, GA, 30117

### **Número de teléfono: 1.855.SW.Tools**

1. Todos los reclamos de garantía deben ser aprobados por el Departamento de Garantía de Southwire Tools & Assembled Products antes de la devolución del producto. Si Southwire determina que un producto es defectuoso, Southwire, a su elección, reparará o sustituirá los productos defectuosos o los componentes de los productos defectuosos, gratuitamente.
2. Luego de su aprobación, Southwire emitirá un Formulario de Autorización de Devolución de Producto que incluirá instrucciones sobre cómo y dónde enviar el producto. El número de serie del producto y la fecha original de entrega deben especificarse en el Formulario de Autorización de Devolución del Producto.
3. Southwire sufragará los gastos de flete estándar (tarifa terrestre de FedEx) incurridos en relación con los productos que Southwire determine, en última instancia, que son defectuosos.
4. Todos los componentes y productos defectuosos que Southwire reemplaza bajo estas garantías se convertirán en propiedad de Southwire y serán retenidos por Southwire.

### **Repare su producto cuando esté fuera de garantía.**

Southwire con gusto facilitará información acerca de si un comprador puede enviar un producto para su reparación por cuenta del consumidor, póngase en contacto con **1.855.SW.tools** o **visite [www.southwiretools.com/tools/home.do](http://www.southwiretools.com/tools/home.do)** para obtener más información sobre el mantenimiento de los productos de Southwire.



# Southwire™

---

## TOOLS & EQUIPMENT

***southwiretools.com***



**1-855-SW-TOOLS**  
Toll Free Technical Help  
Assistance technique gratuite  
Línea de Ayuda Técnica Gratuita

Contents Made in U.S.A./Fabriqué en U.S.A  
Product distributed by/Produit distribué par  
Southwire Company, LLC.  
One Southwire Drive, Carrollton, GA 30119

©2016 Southwire Company, LLC.  
All rights reserved. Tous droits réservés.



*We've got it*  
**MADE IN AMERICA™**