

LED PLL RETROFIT PLUG-IN TYPE A INSTALLATION INSTRUCTIONS

1. Product Features:

- UL certified
- Plug-n-Play replacement
- Full glass housing: No Aging, Yellowing, Bending
- Compatible with electronic instant start, rapid start, and programmed start ballasts

2. Product Applications:

Widely used in residential buildings, offices, shopping malls, supermarkets, hospitals, assembly lines, warehouses, etc. for energy saving illumination.

3. Installation Instructions:

Please completely comply with the installation instructions to ensure that the product is operated in a safe condition.

4. Safety Information:

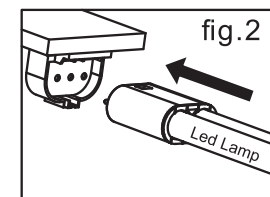
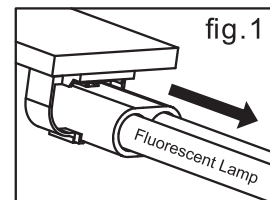
- (1) Check the lamp before installation, if there is any damage caused during transportation, do not install.
- (2) Maintenance should be carried out by technical personnel only.
- (3) Do not stare at the light source with bare eyes for a long time, or beam to others' eyes.
- (4) Do not place any objects on the lamp.
- (5) Keep the lamp away from flame or high temperature objects.
- (6) Only replace with same type of LED lamp. Risk of electrical shock!
- (7) If the glass lamp tube is broken, the lamp must be disposed of immediately!

5. Maintenance Notes:

- (1) Disconnect lamp from power supply before any maintenance.
- (2) Clean luminaire with dry cloth.
- (3) Do not clean the lamp with corrosive chemicals.
- (4) NOT APPLICABLE FOR EMERGENCY LIGHTING.

INSTALLATION INSTRUCTIONS

- 1) Make Sure Power is OFF
- 2) Remove lens or diffuser (if applicable). See figure 1.
- 3) Remove existing fluorescent lamps from the luminaire.
- 4) Bring LED lamp to luminaire and insert lamp pins into luminaire lamp holders. See figure 2.
Note: install LED PLL replacement lamp one for each fluorescent lamp removed.
- 5) Place lens or diffuser back in place (if applicable)
- 6) Power ON



Items:
LPLLE/17/835-39
LPLLE/17/840-39



LED PLL RETROFIT PLUG-IN TYPE A INSTALLATION INSTRUCTIONS

WARNING

1. Risk of fire, the plug-and-play PLL LED lamp use only for replacement of a 40W 2G11 PLL fluorescent lamp, do not replace 50W 2G11 PLL to avoid a risk of fire. Risk of electric shock, suitable for damp locations.
2. LED PLL lamp for use only with products described and installed in accordance with product specifications. LED PLL lamp to be operated with fluorescent electronic ballast.
3. Risk of shock. Disconnect power before installation.

DO NOT INSTALL THIS LAMP IN A PRE - HEAT LUMINAIRE.

THIS LAMP ONLY OPERATES ON ELECTRONIC BALLASTS. IF LAMP DOES NOT LIGHT WHEN THE LUMINAIRE IS ENERGIZED, REMOVE LAMP FROM LUMINAIRE AND CONTACT LAMP MANUFACTURER OR QUALIFIED ELECTRICIAN.

CAUTION RISK OF FIRE - IF THE LAMP OR LUMINAIRE EXHIBITS UNDESIRABLE OPERATION (BUZZING, FLICKERING, ETC.), IMMEDIATELY TURN OFF POWER, REMOVE LAMP FROM LUMINAIRE AND CONTACT MANUFACTURER.

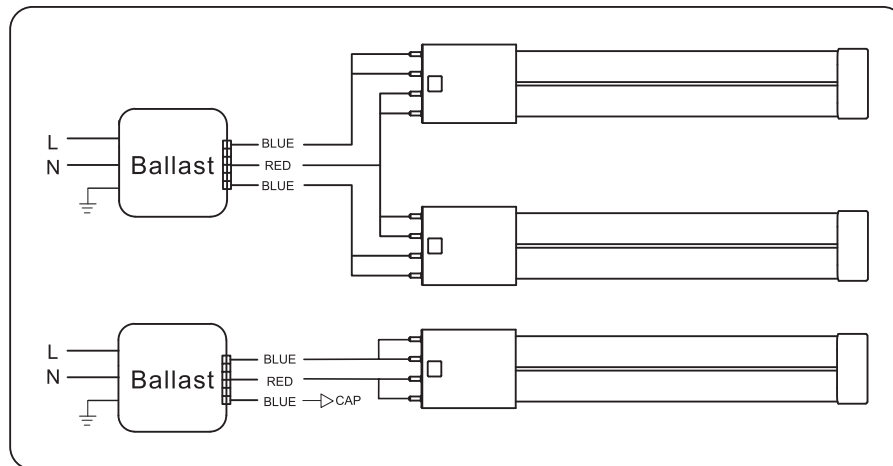
This product may cause interference to radio equipment and should not be installed near maritime safety communications equipment or other critical navigation or communication equipment operating between 0.45-30 MHz.

Items:
LPLLE/17/835-39
LPLLE/17/840-39

LED PLL RETROFIT PLUG-IN TYPE A INSTALLATION INSTRUCTIONS

Instant Start Ballast Wiring Diagram

Two Lamps Ballast Correct Wiring



Three Lamps Ballast Correct Wiring

