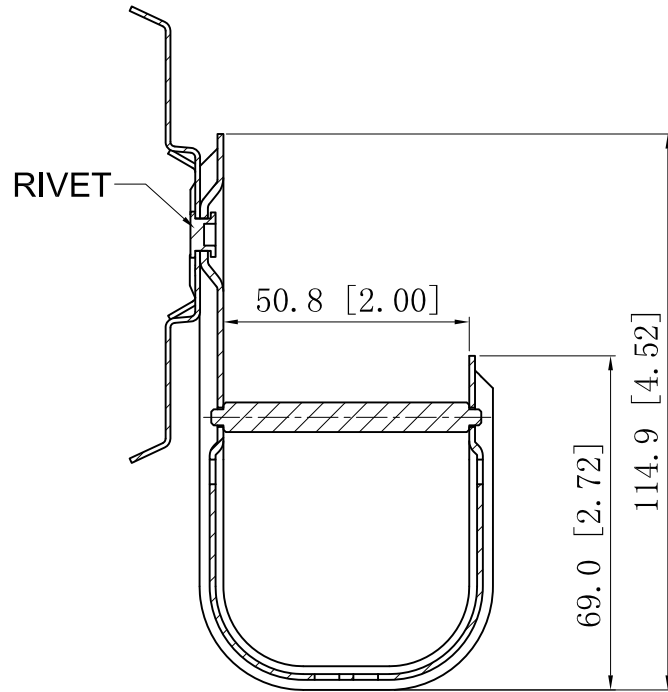
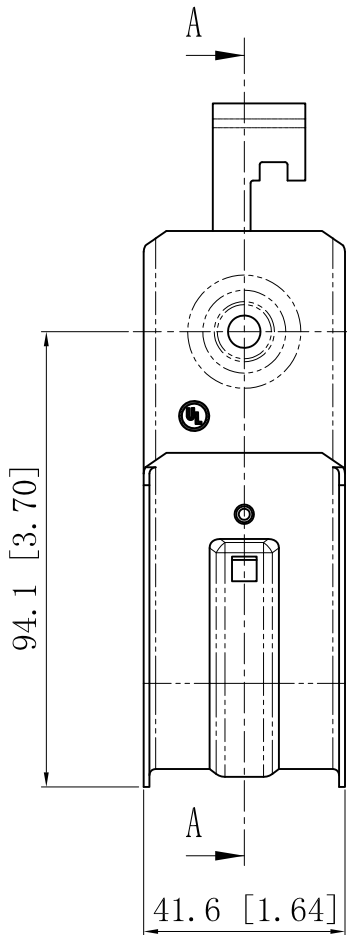
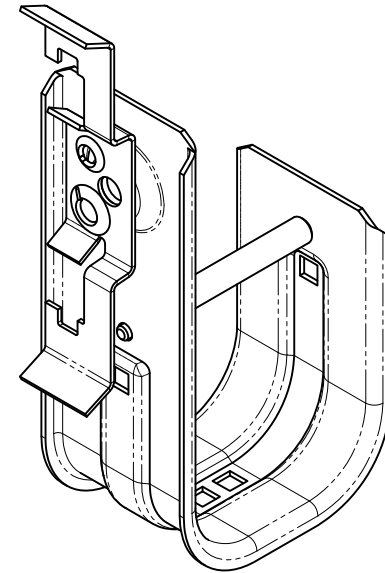


SIDES	BOTTOM
Material:Steel-0.047"-G60 Galvanized	



CUTAWAY VIEW A-A



This data sheet is for reference only .GARVIN INDUSTRIES reserves the right to make changes to the design without prior notice.

DESCRIPTION
TRADE REFERENCE TERMS

STANDARD PACKING
50 PCS

TITLE		GARVIN INDUSTRIES	
J-HOOKS WITH QUICK CLIPS			
SIZE	DWG NO.	JHK-32-BW6	REV
A4		DATA SHEET	D