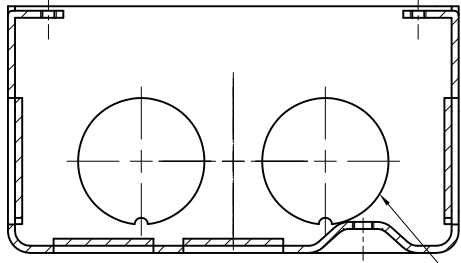
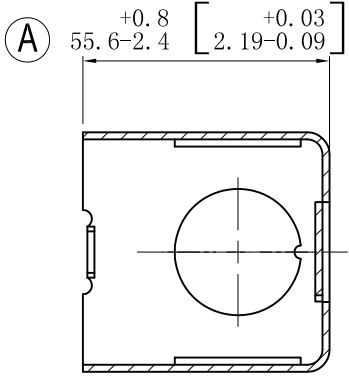
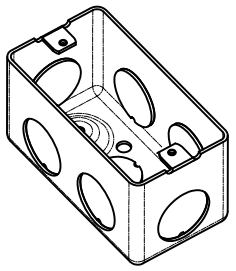


SIDES	BOTTOM
4 3/4" KNOCKOUTS	2 1/2" KNOCKOUTS
	1 Ground hump
Material: Steel-0.0625"-G60 Galvanized	



CUTAWAY VIEW C-C

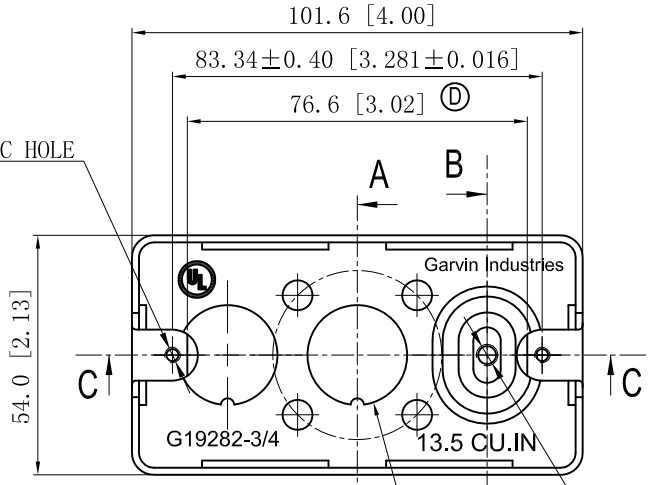
4 3/4" KNOCKOUTS $\phi = 28.5$ [$\phi = 1.12$]
MIRROR



CUTAWAY VIEW A-A

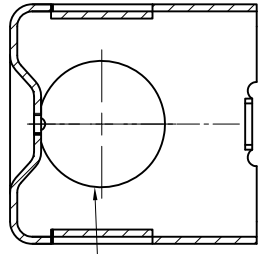
(A) $55.6 - 2.4$ [$2.19 - 0.09$]

2-#6-32 UNC HOLE



101.6 [4.00]
 83.34 ± 0.40 [3.281 ± 0.016]
 76.6 [3.02] (D)
 54.0 [2.13]
 Garvin Industries
 G19282-3/4
 13.5 CU. IN
 #10-32 UNF HOLE

2 1/2" KNOCKOUTS $\phi = 22.5$ [$\phi = 0.89$]
MIRROR



CUTAWAY VIEW B-B

2 3/4" KNOCKOUTS $\phi = 28.5$ [$\phi = 1.12$]
MIRROR

DESCRIPTION
TRADE REFERENCE TERMS

This data sheet is for reference only .GARVIN INDUSTRIES reserves the right to make changes to the design without prior notice.

STANDARD PACKING	<h1 style="text-align: center;">GARVIN INDUSTRIES</h1>		
50 PCS			
TITLE	HANDY UTILITY BOXES & EXTENSINO RINGS		
SIZE	DWG NO.	REV	
A4	G19282-3/4	D	
DATA SHEET			