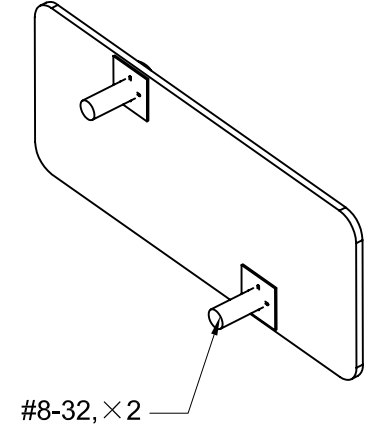
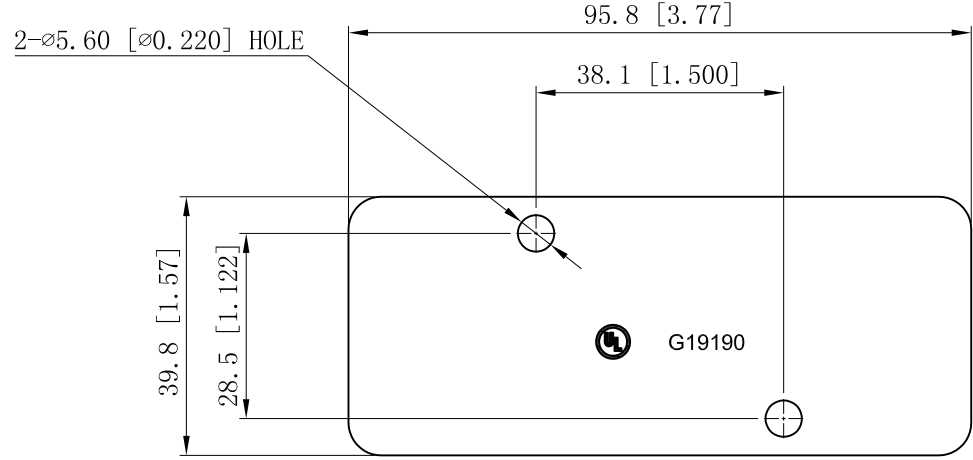
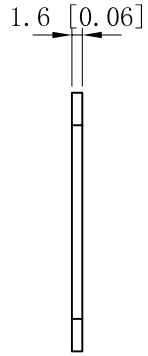


SIDES	BOTTOM
2pcs 8-32×1/2 Screw Installed	
Material:Steel-0.0625"-G60 Galvanized	



This data sheet is for reference only .GARVIN INDUSTRIES reserves the right to make changes to the design without prior notice.

DESCRIPTION
TRADE REFERENCE TERMS

STANDARD PACKING
25 PCS

GARVIN INDUSTRIES		
TITLE MINI HANDY BOXES & DEVICE COVERS		
SIZE A4	DWG NO. G19190	REV C
DATA SHEET		